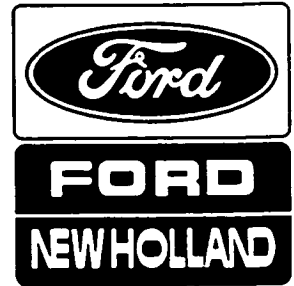
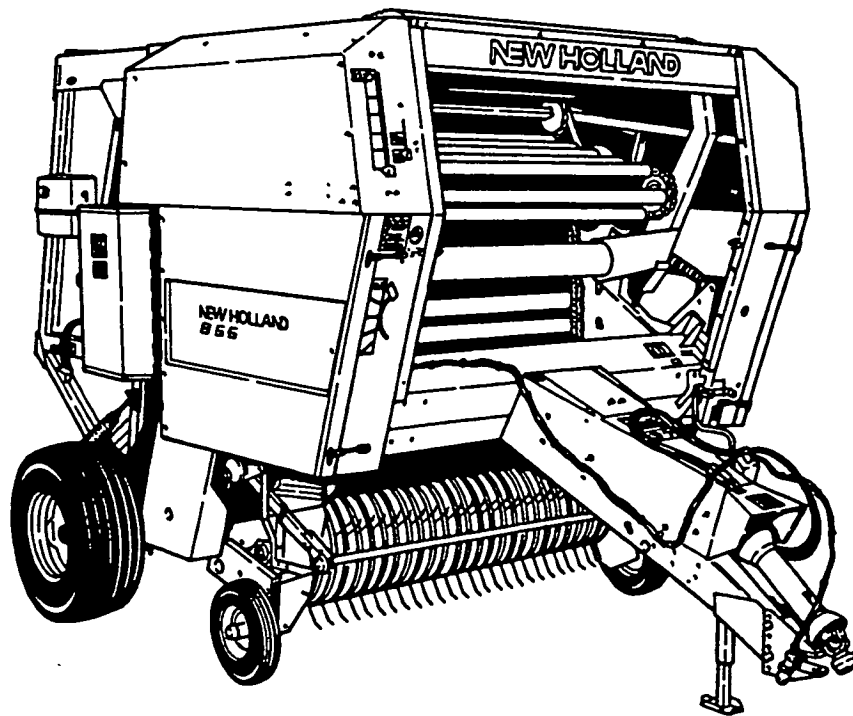


Service Parts Catalog
Liste de Pièces De Rechange
Ersatzteilliste
Catalogo Pezzi di Ricambio
Onderdelenlijst



MODEL 855
ROUND BALER

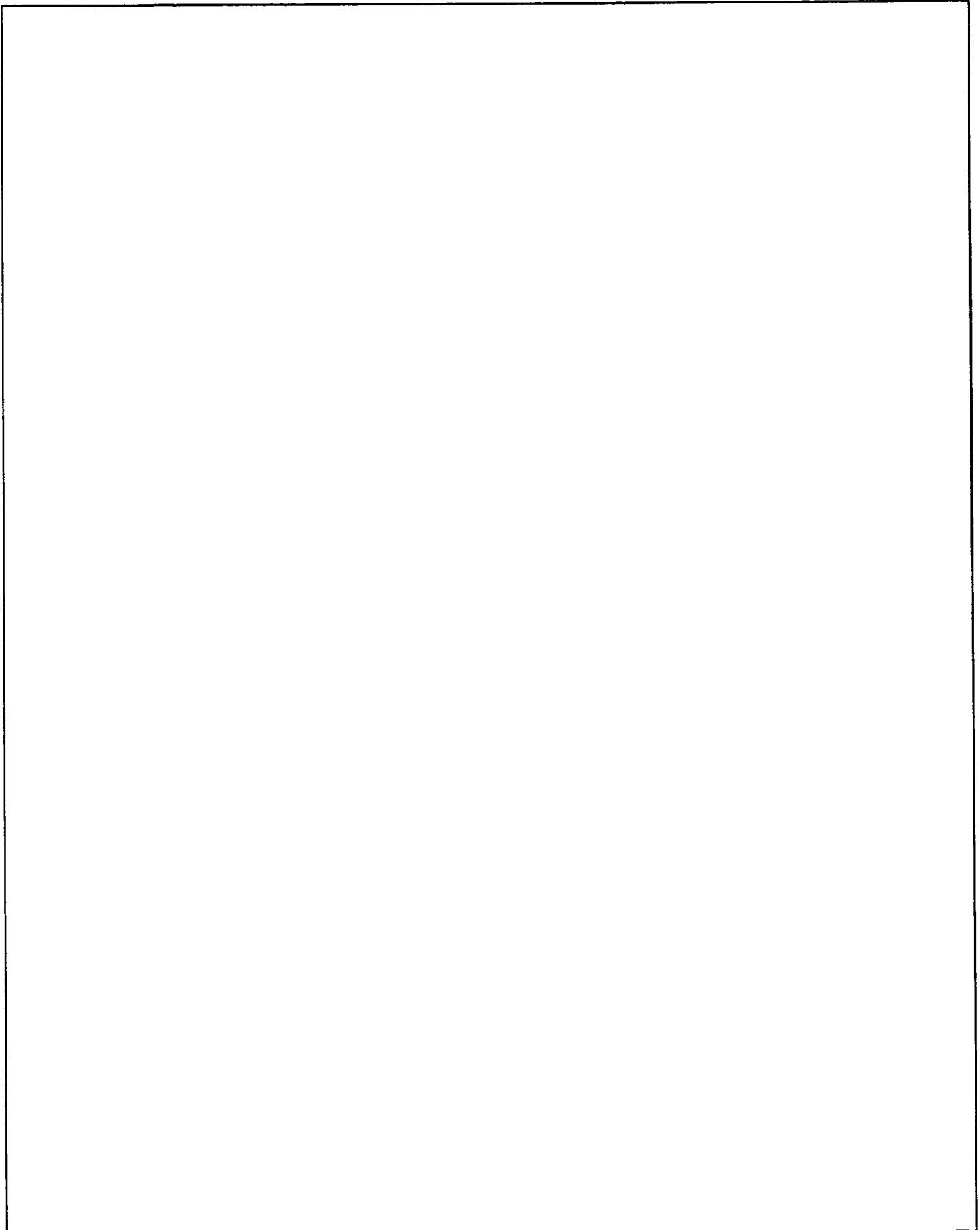


Catalog 5085514

ISSUE 2-93

Printed in the U.S.A.

MODEL 855 ROUND BALER



MODEL 855 ROUND BALER**GENERAL INFORMATION**

1. Whenever the terms left or right are used, it should be understood to mean from a position facing in direction of travel.
2. Throughout this manual you find common hardware not illustrated, but listed in the description column. The service part immediately preceding a hardware listing is the part using these particular items for mounting purposes. This hardware is not included with the service part or assembly when ordered as a replacement.
3. FORD NEW HOLLAND, Inc. is continually striving to improve its products. We must, therefore, reserve the right to make improvements or changes when it becomes practical and possible to do so, without incurring any obligation to make changes or additions to the equipment sold previously.

ORDERING PARTS

1. Please submit orders on the Standard Dealer Order Form and mail to your Branch Office. The form should be completely filled in and any special routing so indicated. Telephone orders, being less accurate, should be limited to "emergency situations".
2. It is advisable to consult the Service Parts Price List and/or the Historical Reference List for part number supersession, package quantity and other pertinent information.

ALWAYS USE GENUINE FORD NEW HOLLAND PARTS

FORD NEW HOLLAND INC., 500 DILLER AVENUE, NEW HOLLAND, PA 17557

MODEL 855 ROUND BALER

CONTENTS

<u>GROUP</u>	<u>PAGE NUMBER</u>
AUXILIARY TWINE WRAPPER BUNDLE	1-199,1-201
APRON CHAIN OILER BUNDLE (ASN 696375)	1-191
APRON CHAIN OILER BUNDLE (BSN 696374)	1-189
BALE COMMAND BUNDLE (ASN 733140)	1-157,1-159,1-161
CROP SAVER WHEEL BUNDLE	1-195
CYLINDER ASSEMBLY	1-117
DRIVE GROUP (ASN 680740)	1-35,1-37,1-39,1-41,1-43
DRIVE GROUP (BSN 680739)	1-27,1-29,1-31,1-33
ELECTRIC WRAPPER OPTION TWINE ATTACHMENT	1-167,1-69,1-171
ELECTRIC WRAPPER OPTION NET WRAP ATTACHMENT	1-177,1-179,1-181
EPROM KIT	1-183
FULL BALE ALARM ATTACHMENT	1-163,1-165
GEARBOX ASSEMBLY, 540 RPM (ASN 733139)	1-23
GEARBOX ASSEMBLY, 540 RPM (BSN 733138)	1-21
HITCH ASSEMBLY & DRIVE LINE GROUP	1-17,1-19
HYDRAULIC SYSTEM	1-71,1-73
HYDRAULIC TWINE WRAPPER GROUP (ASN 706838)	1-127
HYDRAULIC TWINE WRAPPER GROUP - CYLINDER ASSEMBLY (ASN 706838)	1-129
INDICATOR LINKAGE GROUP	1-111,1-113
JACK ASSEMBLY	1-9
LIGHT KIT - TRAILING	1-203,1-205
MAIN FRAME ASSEMBLY	1-25
MEMORY WRAP TWINE WRAPPER GROUP	1-145,1-147,1-149
NET FEED ASSEMBLY	1-102 THRU 109
NET WRAP ATTACHMENT	1-103,1-105,1-107,1-109
NET WRAP - BALE COMMAND CONTROL GROUP	1-183,1-185
NET WRAP - JUNCTION BOX	1-187
NET WRAPPER DRIVE - ELECTRIC/BALE COMMAND ASSEMBLY	1-173,1-175
OVERFILL PROTECTION GROUP (BSN 745548)	1-65,1-67
PICK-UP GROUP	1-49,1-51,1-53,1-55,1-57,1-59
PTO ASSEMBLY, 1000 RPM	1-11
PTO ASSEMBLY, 540 RPM (ASN 733139)	1-15
PTO ASSEMBLY, 540 RPM (BSN 733138)	1-13
RACK AND PINION WRAPPER GROUP	1-151,1-153,1-155
ROLL, BLACK, 67", NET WRAP	1-109
REVERSE DRIVE GROUP	1-45,1-47
SECONDARY TWINE TENSION	1-193
SILICONE RUBBER SEAL (GEAR BOX 540 RPM)	1-21, 1-23
SHIELD GROUP	1-95,1-97,1-99,1-101

MODEL 855 ROUND BALER

CONTENTS

<u>GROUP</u>	<u>PAGE NUMBER</u>
SUPPORT & KICKER GROUP	1-93
SPARE NET BOX BUNDLE - NET WRAP ONLY	1-207
TAILGATE GROUP	1-85,1-87,1-89,1-91
TWINE LOOP KIT	1-199
TWINE WRAPPER GROUP	1-119,1-121
TWINE WRAPPER KIT - HYDRAULIC CONTROL (BSN 706837)	1-125
TWINE WRAPPER KIT - HYDRAULIC CYLINDER	1-197
TWINE WRAPPER KIT - MANUAL CONTROL (BSN 706837)	1-123
TWINE WRAPPER INDICATOR GROUP	1-115
UPPER APRON GROUP	1-75,1-77,1-79,1-81,1-83
WHEEL ASSEMBLY, PICK-UP	1-61,1-63
WIRE HARNESS - CONTROL TO BALER - PN855454	1-209
WIRE HARNESS - OPERATORS PANEL - PN9616247	1-211
WRAPPER ASSEMBLY, TWINE, AUTOMATIC, SECTION 1	1-131,1-133,1-135
WRAPPER ASSEMBLY, TWINE, AUTOMATIC, SECTION 2	1-137,1-139,1-141,1-143
GENERAL INFORMATION	1-2
METRIC INFORMATION	1-6,1-7
NUMERICAL PARTS INDEX	1-213 THRU 1-241
RECOMMENDED DEALER PARTS GUIDE	1-212
DECAL SET - 847806	
DECAL SET - 9616976 (NET WRAP ATTACHMENT)	

MODEL 855 ROUND BALER

METRIC AND INCH HARDWARE

Allowances have been made in punched and drilled holes to allow interchangeability of metric and inch dimension hardware in fastening and mounting applications. However, this interchangeability does not apply to tapped holes or using metric dimension nuts on inch cap screws, studs and bolts. Likewise, inch dimension nuts cannot be used on metric cap screws, studs or bolts.

Following is a listing of Common sizes for substitution.

Inches	Millimeters
--------	-------------

Screw Diameter

3/16"	5 mm
1/4"	6 mm
5/16"	8 mm
*3/8"	*10 mm
1/2"	12 mm
9/16"	14 mm
5/8"	16 mm

Screw Length

5/8"	15 mm
3/4"	20 mm
*1	*25 mm
1-1/4"	30 mm
1-3/8"	35 mm
1-1/2"	40 mm
1-3/4"	45 mm
2"	50 mm
2-1/4"	60 mm
2-3/4"	70 mm
3"	80 mm
3-1/2"	90 mm
4"	100 mm

* **EXAMPLE:** For most applications a 3/8" x 1" cap screw and nut can be replaced by a 10 mm x 25 mm cap screw and nut.

For additional size information and possible substitutions, either inch to metric or metric to inch, please refer to the conversion table in this catalog.

MODEL 855 ROUND BALER

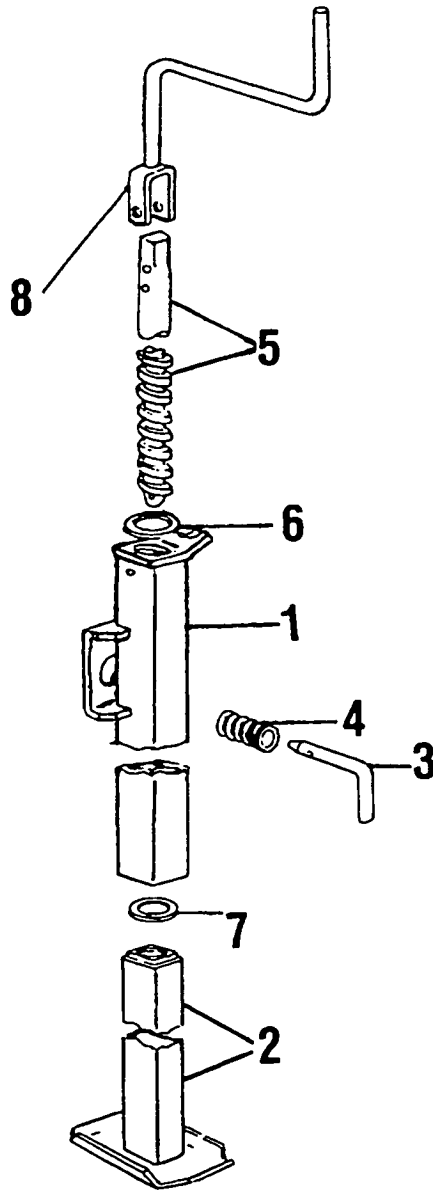
CONVERSION CHART

Inch Fractions and Decimals to Millimeter Equivalents

INCHES		MM	INCHES		MM	INCHES		MM	INCHES		MM
Fraction	Decimal		Fraction	Decimal		Fraction	Decimal		Fraction	Decimal	
-	.0004	.01	-	.3	7.620	-	.7874	20	-	1.969	50
-	.001	.025	5/16	.3125	7.938	51/64	.7969	20.241	2	2.000	50.8
-	.0039	.10	-	.3150	8	13/16	.8125	20.638	2-1/8	2.125	54
-	.005	.127	21/64	.3281	8.334	-	.8268	21	-	2.165	55
-	.0079	.2	-	.3346	8.5	53/64	.8281	21.034	2-1/4	2.250	57.2
-	.0098	.25	11/32	.3438	8.731	27/32	.8438	21.431	-	2.362	60
-	.01	.254	-	.3543	9	55/64	.8594	21.828	2-3/8	2.375	60.3
-	.0118	.3	23/64	.3594	9.128	-	.8662	22	2-1/2	2.500	63.5
1/64	.0156	.397	-	.3740	9.5	7/8	.8750	22.225	-	2.559	65
-	.0157	.4	3/8	.375	9.525	57/64	.8906	22.622	2-5/8	2.625	66.7
-	.0197	.5	25/64	.3906	9.922	-	.9	22.860	2-3/4	2.750	69.9
-	.0236	.6	-	.3937	10	-	.9055	23	-	2.756	70
-	.025	.635	-	.4	10.160	29/32	.9063	23.019	2-7/8	2.875	73
-	.0276	.7	13/32	.4062	10.319	59/64	.9219	23.416	-	2.953	75
-	.0295	.75	-	.4134	10.5	15/16	.9375	23.813	3	3.000	76.2
1/32	.0313	.794	27/64	.4219	10.716	-	.9449	24	-	3.150	80
-	.0315	.8	-	.4331	11	61/64	.9531	24.209	3-1/4	3.250	82.6
-	.0354	.9	7/16	.4375	11.113	31/32	.9688	24.606	-	3.346	85
-	.0394	1	29/64	.4531	11.509	-	.9843	25	3-1/2	3.500	88.9
3/64	.0469	1.191	15/32	.4688	11.906	1	1.000	25.400	-	3.543	90
-	.0472	1.2	-	.4724	12	-	1.024	26	-	3.740	95
-	.05	1.270	31/64	.4844	12.303	1-1/16	1.062	26.988	3-3/4	3.750	95.3
-	.0551	1.4	-	.4921	12.5	-	1.063	27	-	3.937	100
-	.0591	1.5	1/2	.5	12.700	-	1.102	28	4	4.000	101.6
1/16	.0625	1.588	-	.5118	13	1-1/8	1.125	28.575	-	4.331	110
-	.0669	1.7	33/64	.5156	13.097	-	1.142	29	4-1/2	4.500	114.3
-	.075	1.905	17/32	.5326	13.494	-	1.181	30	-	4.724	120
5/64	.0781	1.984	-	.5315	13.5	1-3/16	1.188	30.16	5	5.000	127
-	.0787	2	35/64	.5469	13.891	-	1.221	31	-	5.118	130
-	.0906	2.3	-	.5512	14	1-1/4	1.250	31.75	5-1/2	5.500	139.7
3/32	.0938	2.381	9/16	.5625	14.288	-	1.260	32	-	5.512	140
-	.0984	2.5	-	.571	14.5	-	1.299	33	-	5.906	150
-	.1	2.540	37/64	.5781	14.684	1-5/16	1.312	33.34	6	6.000	152.4
-	.1024	2.6	-	.5906	15	-	1.339	34	-	6.299	160
7/64	.1093	2.776	19/32	.5938	15.081	1-3/8	1.375	34.93	6-1/2	6.500	165.1
-	.1181	3	-	.6	15.240	-	1.378	35	7	7.000	177.8
1/8	.125	3.175	39/64	.6094	15.478	-	1.417	36	-	7.087	180
-	.1378	3.5	-	.6103	15.5	1-7/16	1.438	36.51	7-1/2	7.500	190.5
9/64	.1406	3.572	5/8	.6250	15.875	-	1.457	37	-	7.874	200
5/32	.1563	3.969	-	.6299	16	-	1.496	38	8	8.000	203.2
-	.1575	4	41/64	.6406	16.272	1-1/2	1.500	38.10	8-1/2	8.500	215.9
11/64	.1719	4.366	-	.6496	16.5	-	1.535	39	-	8.661	220
-	.1772	4.5	21/32	.6563	16.669	1-9/16	1.562	39.69	9	9.000	228.6
3/16	.1875	4.763	-	.6693	17	-	1.575	40	-	9.449	240
-	.1969	5	43/64	.6719	17.066	-	1.614	41	9-1/2	9.500	241.3
-	.2	5.080	11/16	.6875	17.463	1-5/8	1.625	41.28	-	9.843	250
13/64	.2031	5.159	-	.6890	17.5	-	1.654	42	10	10.000	254
-	.2165	5.5	-	.7	17.780	1-11/16	1.688	42.86	-	10.236	260
7/32	.2188	5.556	45/64	.7031	17.859	-	1.693	43	11	11.000	279.4
15/64	.2344	5.953	-	.7087	18	-	1.732	44	-	11.024	280
-	.2362	6	23/32	.7188	18.256	1-3/4	1.750	44.45	-	11.811	
1/4	.25	6.350	-	.7283	18.5	-	1.772	45	12	12.000	304.8
-	.2559	6.5	47/64	.7344	18.653	-	1.811	46	13	13.000	330.2
17/64	.2656	6.747	-	.7480	19	1-13/16	1.813	46.04	-	13.780	350
-	.2756	7	3/4	.75	19.050	-	1.850	47	14	14.000	
9/32	.2813	7.144	49/64	.7656	19.447	1-7/8	1.875	47.63	15	15.000	381
-	.2953	7.5	-	.7677	19.5	-	1.890	48	-	15.748	400
19/64	.2969	7.541	25/32	.7813	19.844	-	1.929	49	16	16.000	406.4

MODEL 855 ROUND BALER

FIG. 1 - JACK ASSEMBLY



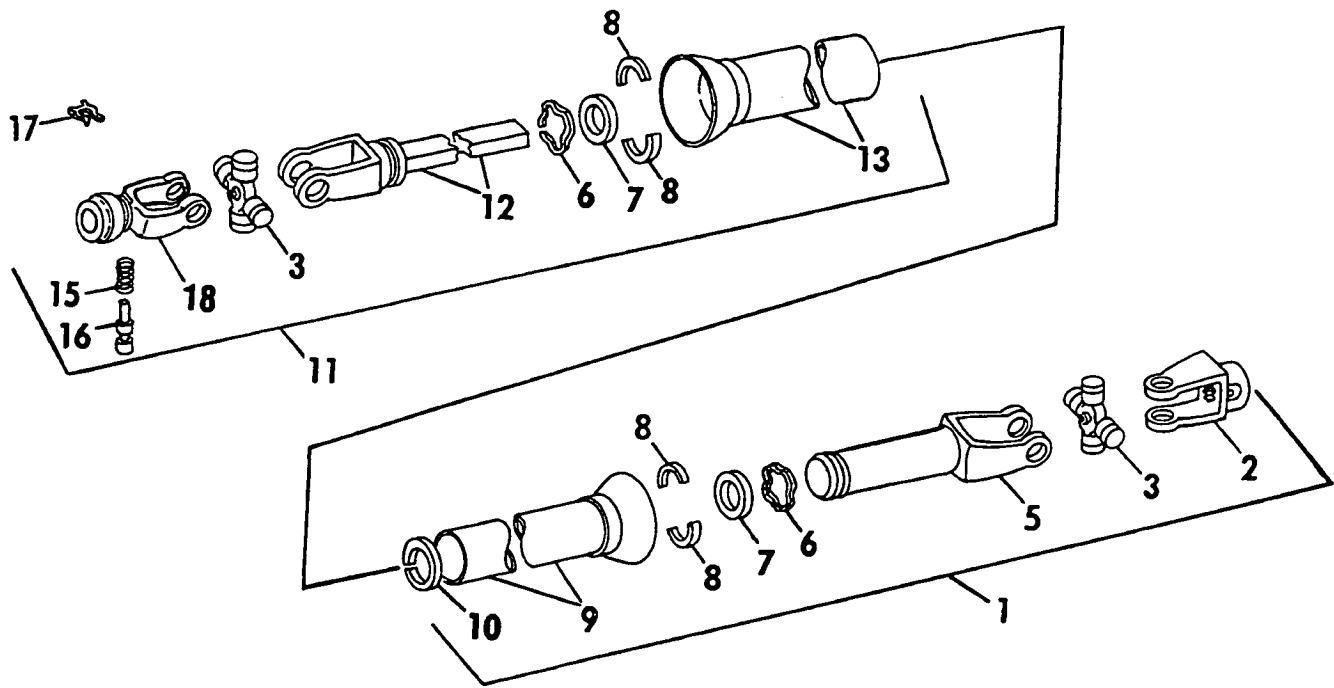
MODEL 855 ROUND BALER

FIG. 1 - JACK ASSEMBLY

REF	FN	PART NUMBER	FINIS	YR/SN	QTY	DESCRIPTION
		648407				Jack Assy.
1		772865			1	Includes: Ref. 1 thru 8
		87414			1	Jack Weld Assy., Replaces 681913
2		218788			1	Fitting, Lube, Straight, 1/4"
3		128375			1	Tube Weld Assy., Inside
		87455			1	Pin, Jack
					1	Pin, Spring, 1/8" x 1"
4		26538			1	Spring
5		604231			1	Jack Screw Weld Assy.
		87336			1	Pin, Spring, 3/16" x 7/8"
6		84239			1	Washer, 3/4"
7		9801922			1	Bearing, Thrust, Replaces 133062
8		770391			1	Crank Weld Assy., Replaces 169703
		87406			2	Pin, Roll, 1/4" x 1-1/2"
		88436			1	Screw, Cap, HH, G5, 3/8" x 2"
		87016			2	Washer, 3/8" SAE
		88902			1	Nut, Lock, GC, 3/8"

MODEL 855 ROUND BALER

FIG. 2 - 1000 RPM PTO GROUP



MODEL 855 ROUND BALER

FIG. 2 - 1000 RPM PTO GROUP

REF	FN	PART NUMBER	FINIS	YR/SN	QTY	DESCRIPTION
1		707220			1	PTO Assy., Rear Includes: Ref. 2,3,5 thru 10
2		707221			1	Yoke
		37251			1	Screw, Set, Sq. Hd., CP 1/2" x 1-3/16" NF
		87309			1	Nut, Hex Jam, 1/2" NF
3		47621			2	Spider & Bearing Assembly Includes: Ref. 4
		87414			1	Fitting, Lube, 1/4"-28, Straight
4		47948			AR	Spider & Bearing Repair Kit (Not Illustrated)
5		273300			1	Yoke & Tube Weld Assembly
		88775			1	Fitting, Lube, 1/4"-28, Straight Short
6		47630			2	Ring, Snap
7		56801			2	Washer, Thrust
8		65060			4	Bearing, Nylon
9		273299			1	Shield Weld Assy., Inner
10		273422			1	Bearing, Nylon
11		855723			1	PTO Assy., Front, Replaces 707222 Includes: Ref. 3,6,7,8,13 & 18
12		273305			1	Yoke & Shaft Weld Assy.
13		273298			1	Shield Weld Assy., Outer
15		26981		j	1	Spring
16		9809671		j	1	Pin, Quick Detach, Replaces 131521 Includes: (1) 9601708 Spring & (1) 9601707 Pin
17		40305		j	1	X-Washer
18		856558		k	1	Yoke Assy., Replaces 173802
		NSS			1	Yoke
		855716			1	Collar, Slide
		855717			3	Ball
		855718			1	Spring
		855719			1	Ring, Lock

j - Used On & BSN 733139

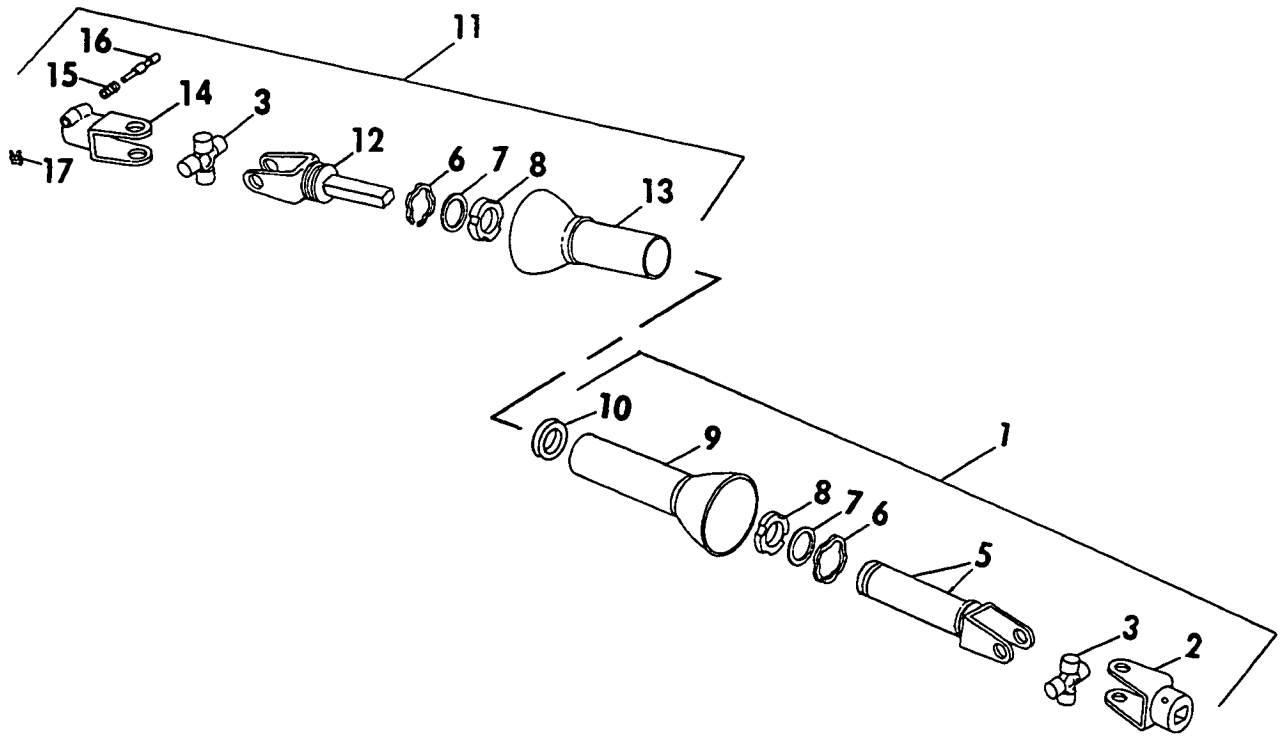
k - Used On & ASN 733140

AR - As Required

NSS - Not Serviced Separately

MODEL 855 ROUND BALER

FIG. 3 - 540 RPM PTO GROUP USED ON & BSN 733139



MODEL 855 ROUND BALER

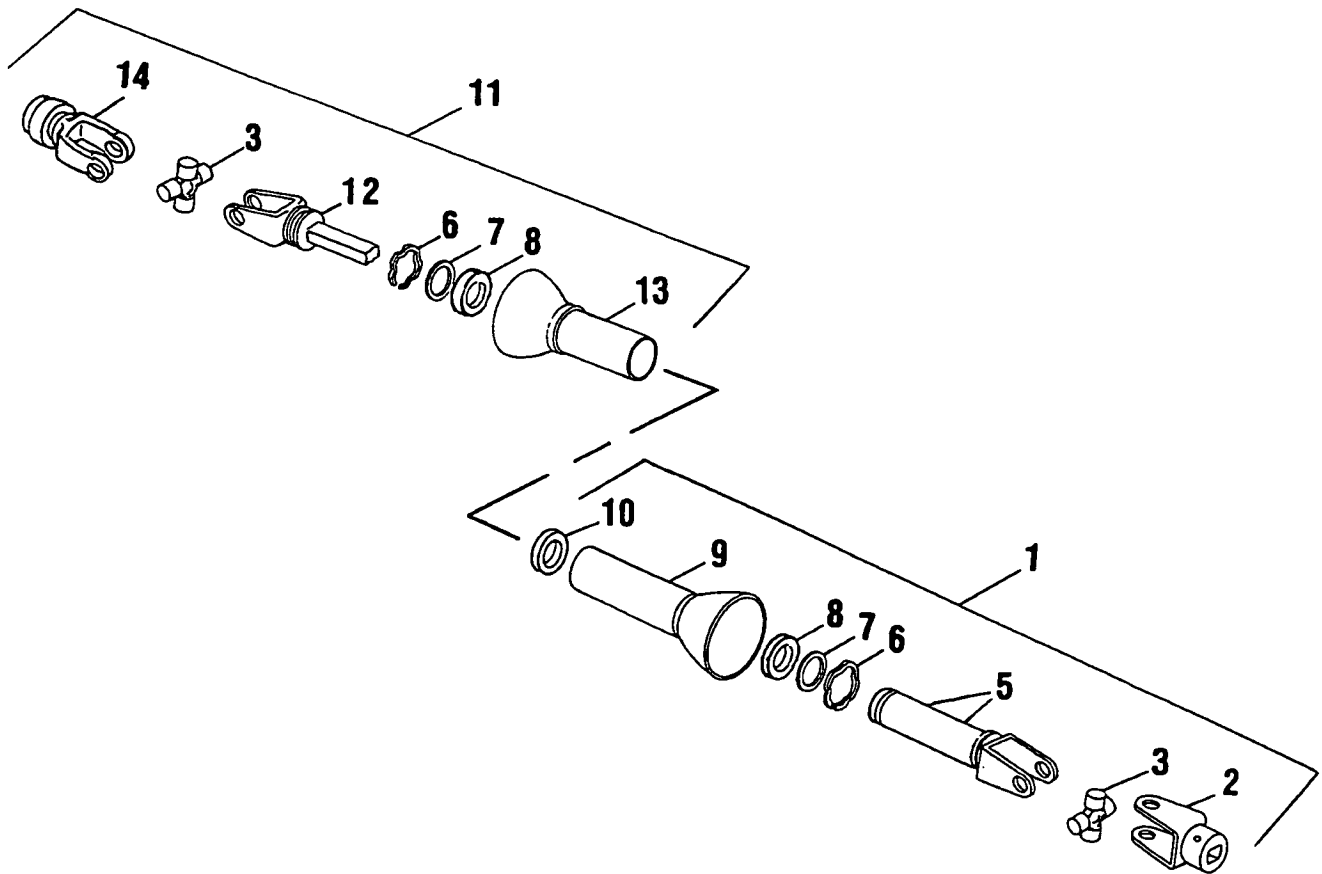
FIG. 3 - 540 RPM PTO GROUP -
USED ON & BSN 733139

REF	FN	PART NUMBER	FINIS	YR/SN	QTY	DESCRIPTION
1		857288			1	PTO Assy., Rear, Replaces 603941 (Refer to Separate Breakdown)
2		29212			1	Yoke
		37251			1	Screw, Set, Sq. Hd., CP 1/2" x 1-3/16" NF
		87309			1	Nut, Hex Jam, 1/2" UNF
3		29214			2	Spider & Bearing Assy.
5	(1)	857298			1	Yoke & Tube Weld Assy., Replaces 603937
		87408			1	Fitting, Lube, 1/4"-28, Short
6		56760			2	Ring, Snap
7		56801			2	Washer, Thrust
8		850432			2	Kit, Bushing Includes: 47941 & 579113
9		603940			1	Shield Weld Assy., Inner
10		273422			1	Bearing, Nylon
11	(1)	855720			1	PTO Assy., Front, Replaces 603942 (Refer to Separate Breakdown)
12	(1)	857297			1	Yoke & Shaft Weld Assy., Replaces 603938
13		603939			1	Shield Weld Assy., Outer
14		855141			1	Yoke, Replaces 707237
15		26981			1	Spring
16		9809671			1	Kit, Q.D. Pin Includes: (1) 9601708 Spring & (1) 9601707 Pin
17		40305			1	X-Washer

(1) - After Replacing these Parts on BSN Machines, Refer to ASN 540 RPM PTO Group.

MODEL 855 ROUND BALER

FIG. 4 - 540 RPM PTO GROUP USED ON & ASN 733140



MODEL 855 ROUND BALER

FIG. 4 - 540 RPM PTO GROUP -
USED ON & ASN 733140

REF	FN	PART NUMBER	FINIS	YR/SN	QTY	DESCRIPTION
1		857288			1	PTO Assy., Rear, Replaces 603941 Includes: Ref. 2,3, & 5 thru 10
2		29212			1	Yoke
		37251			1	Screw, Set, Sq. Hd., CP, 1/2" x 1-3/16" NF
		87309			1	Nut, Hex Jam, 1/2" UNF
3		29214			2	Spider & Bearing Assy.
5		857298			1	Yoke & Tube Weld Assy. Includes: Ref. 8
		87408			1	Fitting, Lube, 1/4"-28, Short
6		56760			2	Ring, Snap
7		56801			2	Washer, Thrust
8		579113			2	Bearing, Nylon
9		603940			1	Shield Weld Assy., Inner
10		273422			1	Bearing, Nylon
11		855720			1	PTO Assy., Front Includes: Ref. 3,6,7,8,12,13 & 14
12		857297			1	Yoke & Shaft Weld Assy. Includes: Ref. 8
13		603939			1	Shield Weld Assy., Outer
14	(1)	855141			1	Yoke Assy.
	(2)	855719			1	Ring, Lock
	(2)	855718			1	Spring
	(2)	855717			3	Ball
	(2)	855716			1	Collar, Slide
	(3)	27503			1	Ring, Retaining
	(3)(4)	856120			1	Spring
	(4)	856122			1	Collar, Slide
	(4)	856121			1	Segment, Collar
		NSS			1	Yoke

(1) - Yoke Assemblies are Supplied by Two Manufacturers.

(2) - Indicates Parts to be Used W/Neapco Yokes.

(3) - Indicates Parts to be Used W/Hayes-Dana Yokes.

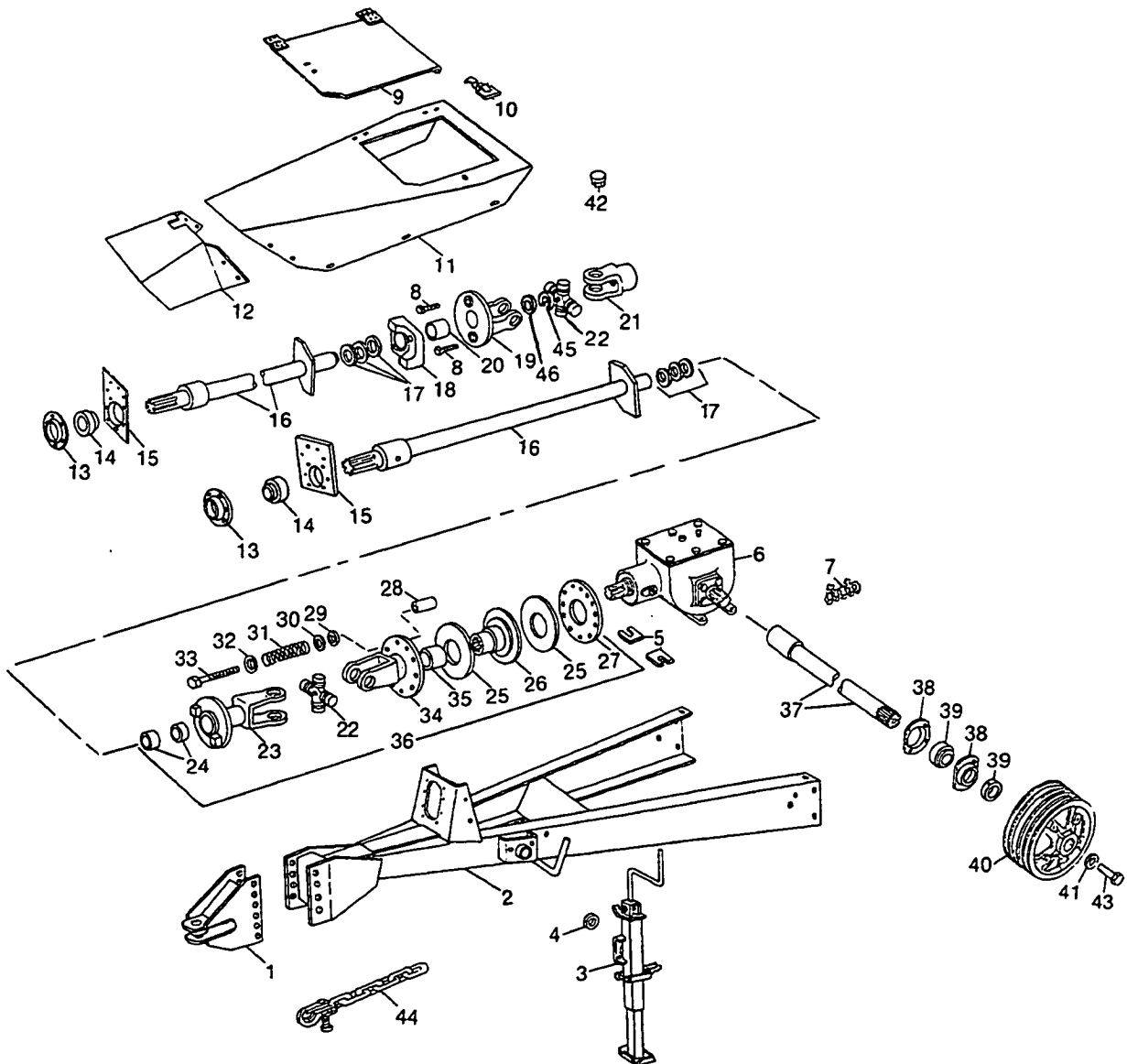
Check Your Yoke Assembly before Ordering.

(4) - Longer Available after Present Stock is Used. Service W/Complete Yoke Assy. P/N 855141 Ref. #14.

NSS - Not Serviced Separately

MODEL 855 ROUND BALER

FIG. 5 - HITCH & DRIVE LINE GROUP (540 RPM & 1000 RPM)



MODEL 855 ROUND BALER

FIG. 5 - HITCH & DRIVE LINE GROUP
(540 RPM & 1000 RPM)

REF	FN	PART NUMBER	FINIS	YR/SN	QTY	DESCRIPTION
1		684668			1	Hitch Weld Assy.
		280174			2	Screw, Cap, HH, G5, 5/8" x 5" UNF
		64053			4	Washer
		87629			2	Nut, Lock, GB, 5/8" UNF, Replaces 280309
2		764956			1	Hitch Weld Assy., Replaces 629802
		88112			10	Screw, Cap, HH, G5, 5/8" x 1-1/2" UNF
		64053			20	Washer
		87629			10	Nut, Lock, GB, 5/8" UNF, Replaces 280309
3		648407			1	Jack Assy. (Refer to Separate Breakdown)
4		128542			1	Collar
		81824			1	Pin, Groove, A, 5/16" x 2-1/2"
5		163962			AR	Shim
6	(1)	794169			1	Gearbox Assy., 540 RPM, Replaces 628399 (Refer to Separate Breakdown)
	(2)	628400			1	Gearbox Assy., 1000 RPM (Refer to Separate Breakdown)
		304800-S36			4	Screw, Cap, HH, G5, 1/2" x 1-3/4", Replaces 88551
		65319			4	Washer
		280431			4	Nut, G5, 1/2"
7	(1)	52367			1	Holder, Shearbolt
8	(1)	46520			5	Shearbolt, W/Nut
9		847668			1	Cover Weld Assy., Replaces 637858
		88542			4	Screw, Cap, HH, G5, 1/4" x 1/2"
		523291			4	Screw, Self-Locking, HWH, USR, 1/4" x 1/2"
		523282			4	Nut, Flange, USR, 1/4"
10		47325			1	Fastener
		84821			1	Screw, Machine, Truss Hd., #10 x 1/2"
		88612			1	Washer, #10 SAE
		80684			1	Washer, Lock, #10
		87304			1	Nut, #10
11		847662			1	Shield, Replaces 632030
		145913			6	Screw, Lock, 5/16" x 3/4" USR
		145458			6	Nut, Lock, 5/16" USR
12		630557			1	Shield
		255918			2	Screw, Lock, 3/8" x 3/4" USR
		714555			2	Screw, Lock, 3/8" x 1" USR
13		138820			1	Flangette
		714555			6	Screw, Lock, 3/8" x 1" USR
		247780			6	Nut, Lock, 3/8" USR
14		47066			1	Bearing
15		618408			1	Support, Bearing
		714555			4	Screw, Lock, 3/8" x 1" USR
		247780			4	Nut, Lock, 3/8" USR
16	(1)	851288			1	Shaft Weld Assy., Replaces 630643
		40974			1	Ring, Snap
	(2)	9601028			1	Shaft Weld Assy., Replaces 637788
		40974			1	Ring, Snap

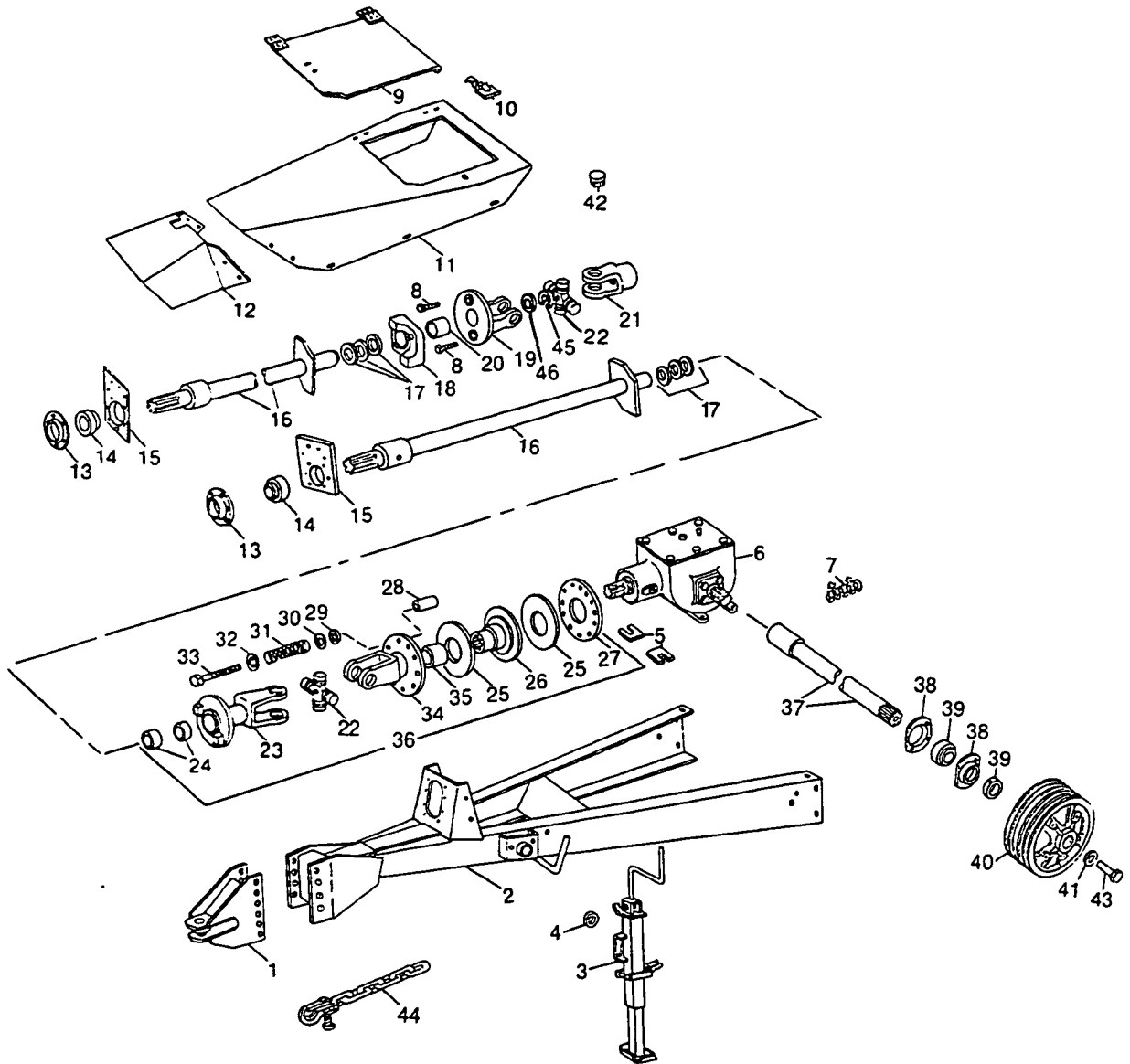
(1) - Used on the 540 RPM Only

(2) - Used on the 1000 RPM Only

AR - As Required

MODEL 855 ROUND BALER

FIG. 5 - HITCH & DRIVE LINE GROUP (540 RPM & 1000 RPM)



MODEL 855 ROUND BALER

FIG. 5 - HITCH & DRIVE LINE GROUP
(540 RPM & 1000 RPM)

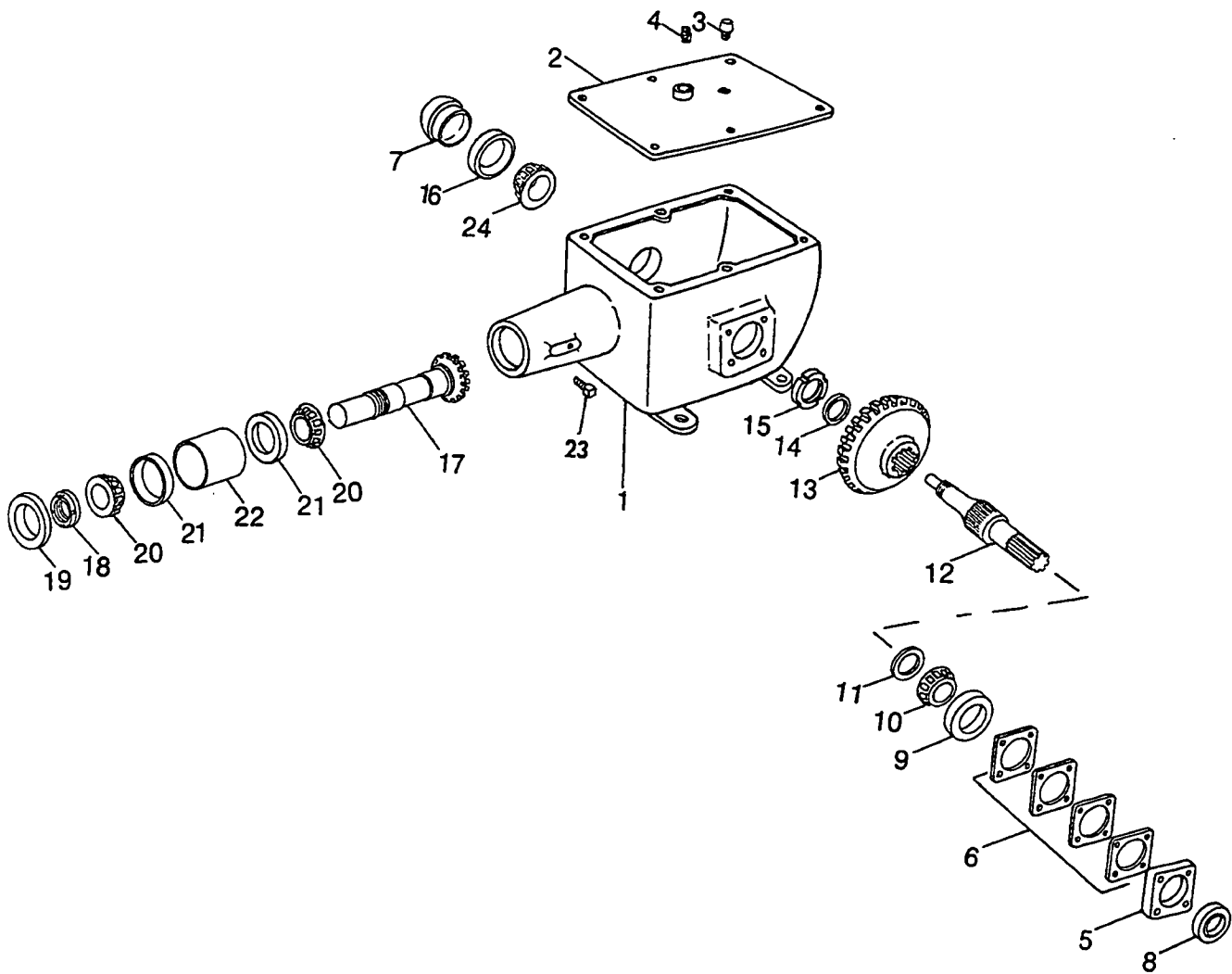
REF	FN	PART NUMBER	FINIS	YR/SN	QTY	DESCRIPTION
17		146258			AR	Washer
18	(1)	648942			1	Hub, 540 RPM
19	(1)	648940			1	Yoke Weld Assy., 540 RPM
		88874			1	Includes: Ref. 20
		121512			1	Screw, Cap, HH, G5, 1/2" x 1-1/4" L.H.
					1	Washer, Special
20	(1)	40699			1	Bushing
21	(1)	267505			1	Yoke
		87569			1	Fitting, Lube, 1/4"-28 x 45°
22		29214			1	Bearing & Spider Assy.
		87569			1	Fitting, Lube, 1/4"-28 x 45°
23	(2)	615964			1	Yoke Weld Assy.
		88874			1	Includes: Ref. 24
					1	Screw, Cap, HH, G5, L.H.
						1/2" x 1-1/4"
		121512			1	Washer, Special
24	(2)	37136			2	Bushing
25	(2)	614243			2	Disc, Friction
26	(2)	137240			1	Disc Weld Assy.
27	(2)	122443			1	Plate, Clutch
28	(2)	131491			10	Spacer
29	(2)	64263			10	Washer
30	(2)	36823			AR	Shim
31	(2)	9617868			10	Spring, Replaces 126758
32	(2)	9801065			10	Washer, Replaces 34187
33	(2)	88456			10	Screw, Cap, HH, G5, 3/8" x 3-3/4"
34	(2)	137239			1	Plate & Yoke Assy.
						Includes: Ref. 35
35	(2)	126760			1	Bushing
36	(2)	614242			1	Clutch Assy.
						Includes: Ref. 25 thru 35
37		675472			1	Shaft Weld Assy.
		87569			2	Fitting, Lube, 1/4"-28 x 45°
38		52481			2	Flangette
		87909			4	Screw, Cap, HH, G5, 1/2" x 1-1/4"
		643396			4	Nut, Flange, USR, 1/2"
39		605032			1	Bearing, W/Set Collar
40		792299			1	Sheave, Replaces 675654
41		694478			1	Washer, Hardened
42		272721			1	Plug, Button
43		304800S36			1	Screw, Cap, HH, G5, 1/2" x 1-3/4", Replaces 88551
44		850116			1	Safety Tow Chain Bundle
		855228			1	Kit, Safety Chain Hardware (Components Not Serviced Separately)
45	(3)	48360			1	Washer
46	(3)	40974			1	Ring, Retaining

- (1) - Used on the 540 RPM Only
(2) - Used on the 1000 RPM Only
(3) - Used W/New Style Shaft PN 851288

AR - As Required

MODEL 855 ROUND BALER

FIG. 6 - GEARBOX ASSEMBLY USED ON & BSN 733138



MODEL 855 ROUND BALER

FIG. 6 - GEARBOX ASSEMBLY
USED ON & BSN 733138

REF	FN	PART NUMBER	FINIS	YR/SN	QTY	DESCRIPTION
	(1)	794169				Gearbox Assy., 540 RPM, Replaces 628399 (Refer to Separate Breakdown)
1	(2)	628400			1	Gearbox Assy., 1000 RPM
		628324			1	Gearbox
2		850168			1	Lid Weld Assy., Replaces 692177
		528348			1/AR	Seal, Silicone Rubber
		87872			4	Screw, Cap, HH, G5, 5/16" x 3/4"
		280696			2	Screw, Cap, HH, B.H., 5/16" x 3/4"
3		572820			1	Breather
4		87916			1	Bushing, Hex, 1/8" to 3/8"
5		122268			1	Retainer
		88206			4	Screw, Cap, HH, G5, 3/8" x 1"
		80680			4	Washer, Lock, 3/8"
6		122274			AR	Shim, .003" (.076mm)
		122275			AR	Shim, .005" (.127mm)
		122276			AR	Shim, .007" (.178mm)
		122277			AR	Shim, .020" (.508mm)
7		200734			1	Cap
8		28246			1	Seal, Oil
9		48976			1	Cup, Bearing
10		48977			1	Cone, Bearing
11		686922			1	Washer
12		628368			1	Shaft
13		645354			1	Gear, Bevel, 36T (540 RPM Only)
		627051			1	Gear, Bevel, 43T (1000 RPM Only)
14		33261			1	Washer
15		189564			1	Nut, Stake
16		132709			1	Cup, Bearing
17		645370			1	Pinion Shaft Weld Assy., 20T (540 RPM Only)
		627050			1	Shaft, Shaft, 13T (1000 RPM Only)
18		628417			1	Nut, Stake
19		13548			1	Seal, Oil
20		41480			2	Cone, Bearing
21		41479			2	Cup, Bearing
22		628395			2	Sleeve (540 RPM Only)
		628394			1	Sleeve (1000 RPM Only)
23		80407			1	Screw, Set, Sq. Hd., 1/2" x 1-1/4", Replaces 88759
		84970			1	Nut, Jam, 1/2"
24		132710			1	Cone, Bearing

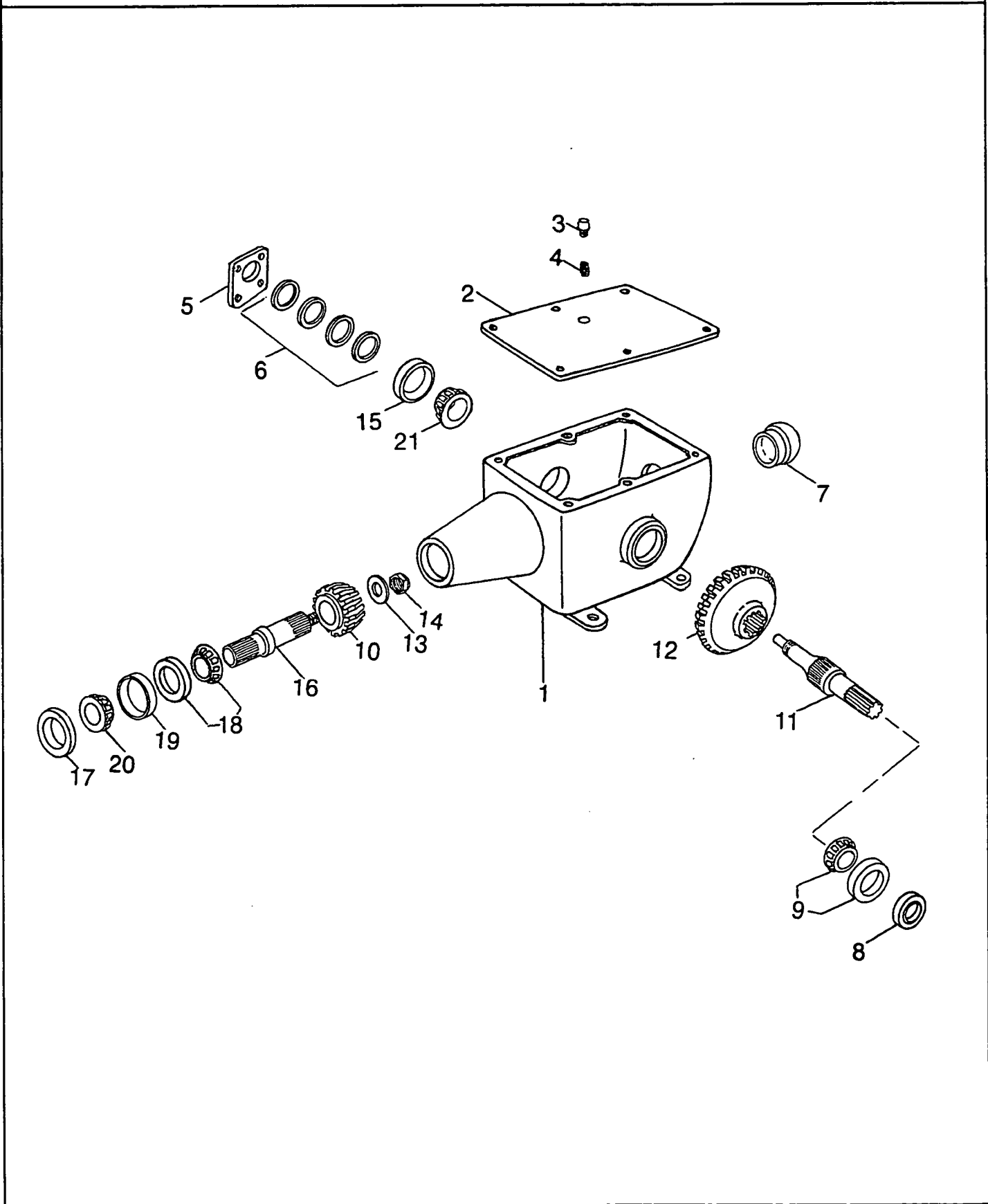
(1) - 749169 Gearbox Assembly Replaces P/N 628399 Gearbox Assembly that was Used on & BSN 733139.

(2) - Used on both BSN & ASN Machines.

AR - As Required

MODEL 855 ROUND BALER

FIG. 7 - 794169 GEARBOX ASSEMBLY USED ON & ASN 733139



MODEL 855 ROUND BALER

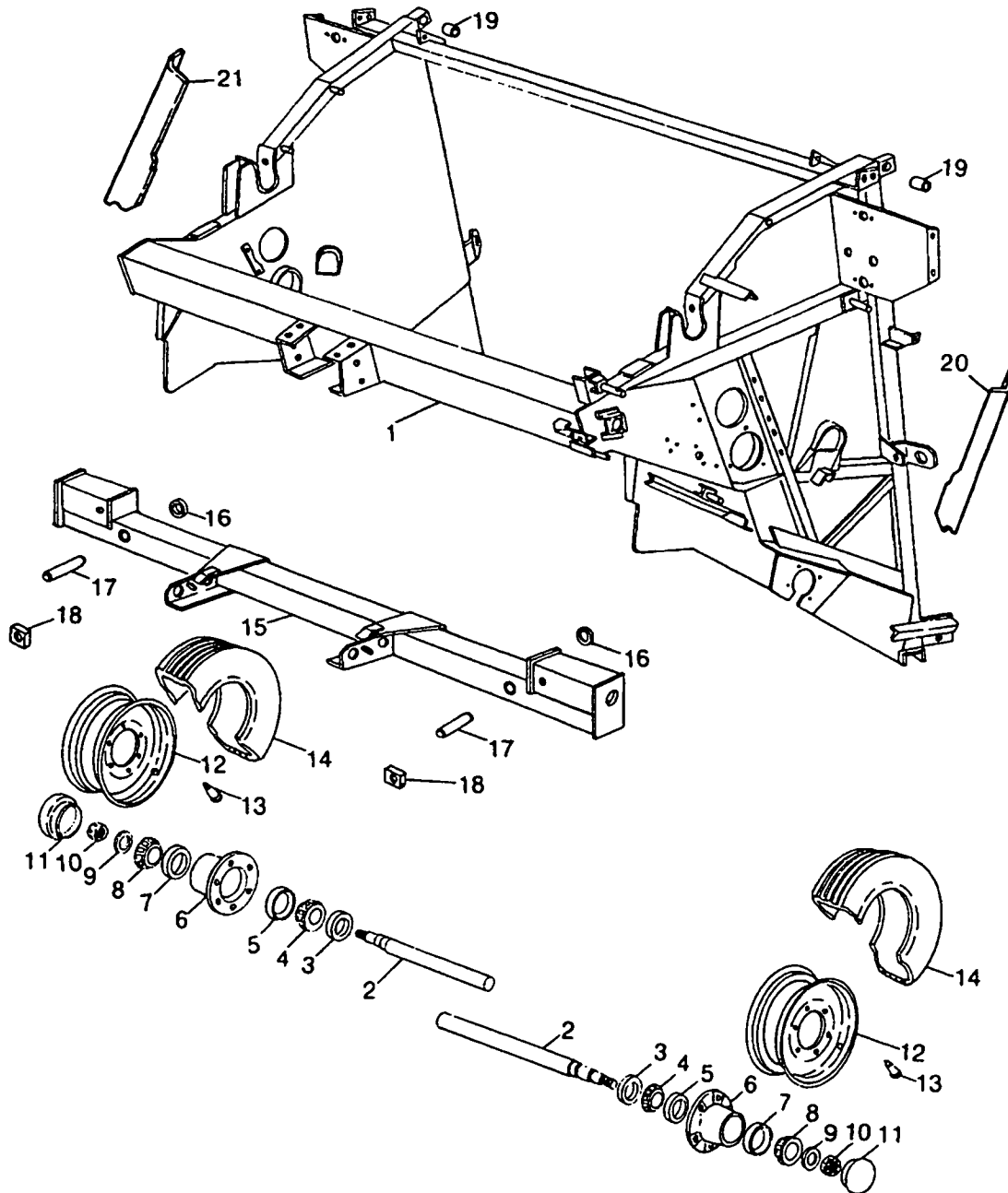
FIG. 7 - 794169 GEARBOX ASSEMBLY -
USED ON & ASN 733139

REF	FN	PART NUMBER	FINIS	YR/SN	QTY	DESCRIPTION
1		794169			1	Gearbox Assy., 540 RPM, Replaces 638329
2		787110			1	Housing, Gearbox
		850455			1	Lid Weld Assy.
		280696			2	Screw, Cap, HH, B.H., 5/16" x 3/4"
		87872			4	Screw, Cap, HH, G5, 5/16" x 3/4"
		80664			6	Washer, 5/16"
		528348			1/AR	Seal, Silicone Rubber
3		572820			1	Breather
4		87916			1	Bushing, Hex
5		787240			1	Cap, End
		88206			4	Screw, Cap, HH, G5, 3/8" x 1"
		280295			4	Washer, Lock, Ext. T., 3/8"
6		855606			1	Kit, Shim
7		249129			1	Cap
8		634036			1	Seal, Oil
9		788854			1	Set, Bearing
10		787112			1	Pinion, 20T
11		787117			1	Shaft
12		787113			1	Gear, Bevel, 36T
13		196703			1	Washer
14		116311			1	Nut
		72071-S36DS			1	Pin, Cotter, 1/8" x 1-1/2", Replaces 80708
15		36725			1	Cup, Bearing
16		787116			1	Shaft Assy.
17		9828834			1	Seal, Double Lip
18		788855			1	Set, Bearing
19		703623			1	Cup, Bearing
20		703624			1	Cone, Bearing
21		36724			1	Cone, Bearing

AR - As Required

MODEL 855 ROUND BALER

FIG. 8 - MAIN FRAME GROUP



MODEL 855 ROUND BALER

FIG. 8 - MAIN FRAME GROUP

REF	FN	PART NUMBER	FINIS	YR/SN	QTY	DESCRIPTION
1		680111		e	1	Main Frame Weld Assy. Includes: Ref. 19
		786016		i	1	Main Frame Weld Assy. Includes: Ref. 19
		9615378		h	1	Main Frame Weld Assy. Includes: Ref. 19
		9621614		j	1	Main Frame Weld Assy. Includes: Ref. 19 Replaces 854234
		786588			1	Kit, Transition Wear
2		640326			2	Spindle
		304944-S36			2	Screw, Cap, HH, G5, 5/8" x 3-1/2", Replaces 280119
		34796-S36			2	Washer, Lock, 5/8", Replaces 84057
		280374			2	Nut, 5/8", Replaces 84947
3		788367			2	Seal, Oil, Replaces 130017
4		67527			2	Cup, Tapered Roller Bearing
5		67526			2	Cone, Tapered Roller Bearing
6		641839			2	Hub
7		175508			2	Cup, Tapered Roller Bearing
8		175507			2	Cone, Tapered Roller Bearing
9		116150			2	Washer, Special
10		280172			2	Nut, Hex, Slotted, 7/8" UNF
		80754			2	Pin, Cotter, 3/16" x 1-1/2"
11		249128			2	Cap, Hub
12		577903			2	Wheel, Standard
		646647			2	Wheel, Flotation
		198056			12	Bolt, Wheel
13		196033			2	Stem, Tubeless Tire
14		592225			2	Tire, Non-Directional, Tubeless, 6 Ply, 11.00L x 15
		226871			2	Tire, Terra-Rib, Tubeless, 6 Ply, 31 x 13.50 x 15
15		693781			1	Axle Weld Assy.
		88564			2	Screw, Cap, HH, G5, 5/8" x 6-1/2"
		34796-S36			2	Washer, Lock, 5/8", Replaces 84057
16		9801067			2	Ring, Retaining, Replaces 37776
17		768935			2	Bushing, Replaces 645855
18		280975			2	Nut, Sq., 5/8", Replaces 645857
19		641339			2	Bushing
20		9828519			1	Cover, L.H.
21		9828520			1	Cover, R.H.

e - Used on & BSN 696374.

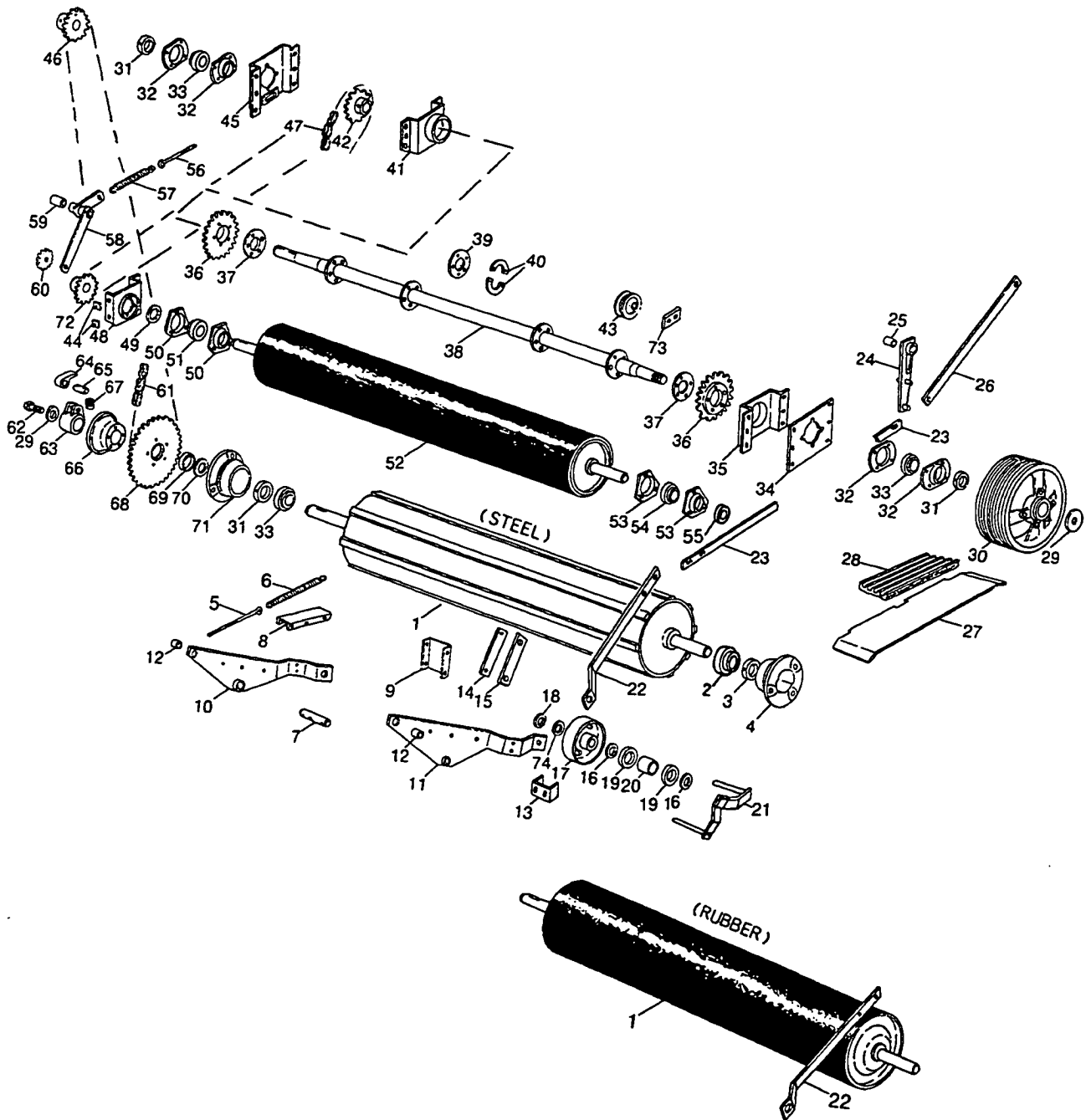
h - Used on & Between S/N 706838 & 806178.

i - Used on & Between S/N 696375 & 706837.

j - Used on & ASN 806179.

MODEL 855 ROUND BALER

FIG. 9 - DRIVE GROUP USED ON & BSN 680739



MODEL 855 ROUND BALER

FIG. 9 - DRIVE GROUP -
USED ON & BSN 680739

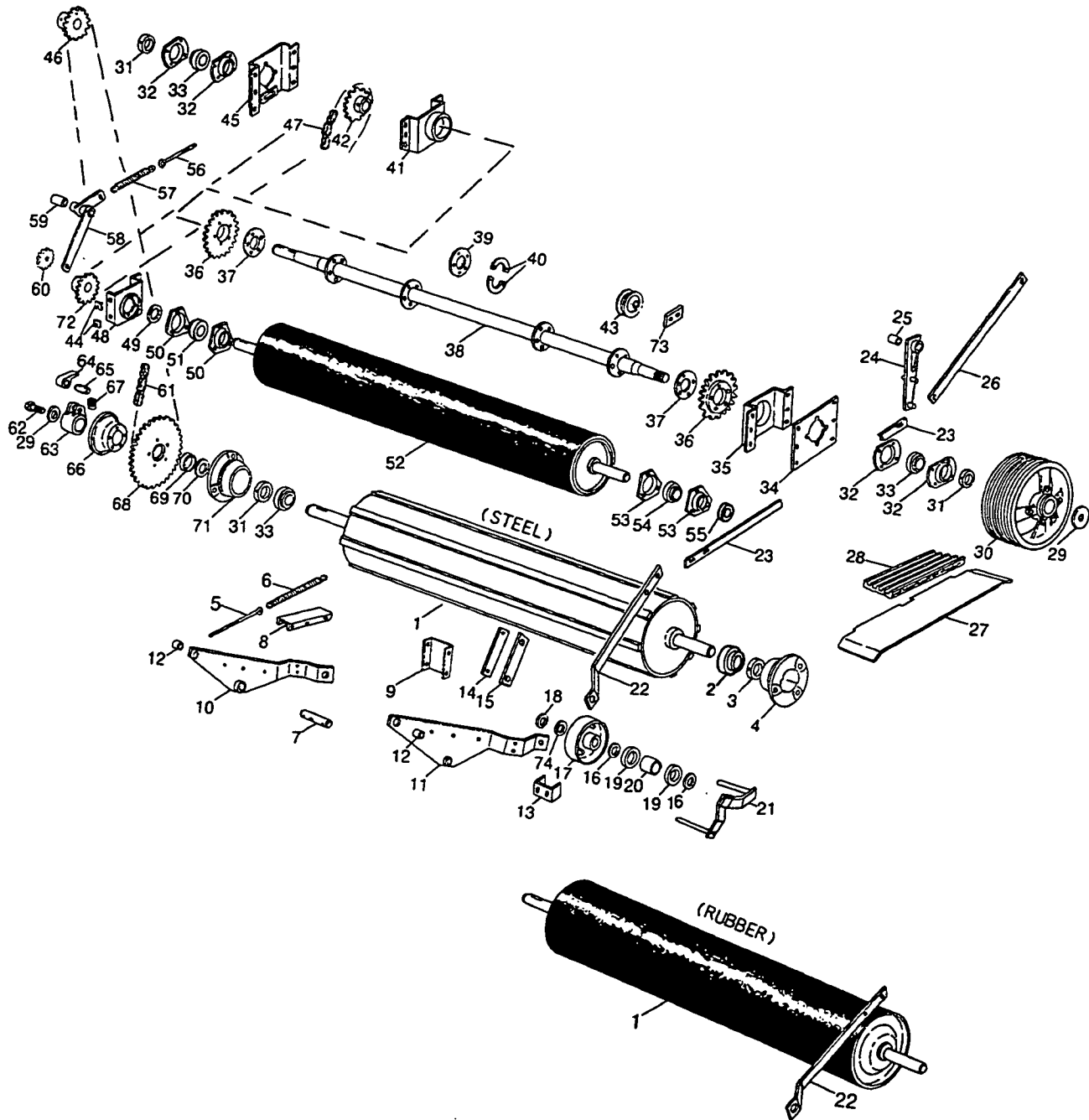
REF	FN	PART NUMBER	FINIS	YR/SN	QTY	DESCRIPTION
1		792278			1	Rubber Floor Roll Assy. (Optional), Replaces 636389
		857570			1	Steel Floor Weld Assy. (1 Shaft Keyed, 1 Splined)
2		47066			1	Bearing
3		47067			1	Collar, Locking
4		9617624			1	Hub, L.H., Replaces 738597 Includes: Ref. 2
		87689			4	Screw, Cap, HH, G5, 1/2" x 1-1/2"
		65319			8	Washer, Hardened
		88871			4	Nut, Lock, GC, 1/2"
5		676400			1	Bolt, Eye
		87364			2	Washer, 1/2" SAE
		280431			2	Nut, 1/2"
6		286527			1	Spring
7		680025			1	Pin
		26129			AR	Washer
		26402			AR	Washer
8		682231			1	Channel
		87872			6	Screw, Cap, HH, G5, 5/16" x 3/4"
		145458			6	Nut, Lock, 5/16" USR
9		695679			1	Channel
		87872			4	Screw, Cap, HH, G5, 5/16" x 3/4"
		145458			4	Nut, Lock, 5/16" USR
10		675843			1	Arm Weld Assy., R.H. Includes: (1) Ref. 12
11		675844			1	Arm Weld Assy., L.H. Includes: (1) Ref. 12
		26402			AR	Washer
		80754			1	Pin, Cotter, 3/16" x 1-1/2"
12		15653			2	Bushing
13		691052			1	Channel
		256873			2	Screw, Lock, 5/16" x 1/2" USR
		145458			2	Nut, Lock, 5/16" USR
14		690911			1	Guide
		88854			2	Screw, Cap, Fl. Hd., Hex Socket, 5/16" x 7/8"
15		690945			AR	Shim
16		679750			1	Washer
17		687277			1	Idler
		300942-S36			1	Screw, Cap, HH, G5, 3/4" x 4-1/2", Replaces 88007
		84972			1	Nut, Jam, 3/4"
		87878			1	Washer, Lock, Ext. T, 3/4"
18		87381			3	Washer, 3/4" SAE
19		9807906			2	Bearing, Replaces 705211
20		687275			1	Spacer
21	(1)	788348			1	Support Weld Assy., Replaces 688553
		280375			1	Nut, Lock, GB, 3/4"

(1) - When Replacing Ref. No. 21 on ASN 696375, You Need to Order P/N 88421 & 84972.

AR - As Required

MODEL 855 ROUND BALER

FIG. 9 - DRIVE GROUP USED ON & BSN 680739



MODEL 855 ROUND BALER

FIG. 9 - DRIVE GROUP -
USED ON & BSN 680739

REF	FN	PART NUMBER	FINIS	YR/SN	QTY	DESCRIPTION
22		679360			1	Link Weld Assy.
23		679361			1	Strap
		280430			2	Bolt, Carriage, G5, 3/8" x 3/4"
		145458			2	Washer, Lock, 5/16" USR
		87363			1	Washer, 7/16" SAE
		80756			1	Pin, Cotter, 1/8" x 3/4"
24		853804			1	Arm Weld Assy., Replaces 679358 Includes: Ref. 25
		87365			1	Washer, 5/8" SAE
		80755			1	Pin, Cotter, 1/8" x 1"
25		682151			1	Bushing
26		679359			1	Strap
		87016			AR	Washer, 3/8" SAE
		80756			2	Pin, Cotter, 1/8" x 3/4"
27		695691			1	Guide, Replaces 675612
		271288			4	Screw, Lock, 5/16" x 5/8" USR
		145458			4	Nut, Lock, 5/16" USR
28		717399			1	V-Belt
29		694478			2	Washer, Hardened
		304800-S36			1	Screw, Cap, HH, G5, 1/2" x 1-3/4"
30		675498			1	Sheave
31		273110			3	Collar, Eccentric
32		76450			4	Flange
		87689			4	Screw, Cap, HH, G5, 1/2" x 1-1/2"
		87868			4	Bolt, Carriage, G5, 1/2" x 1-1/4"
		65319			8	Washer, Special
		80679			8	Washer, Lock, 1/2"
		280431			8	Nut, 1/2"
33		689509			3	Bearing Assy. Includes: (2) Ref. 32
34		684635			1	Support, L.H.
35		675724			1	Shield Weld Assy., L.H.
		304726-S36			6	Screw, HH, G5, 1/2" x 1-1/4", Replaces 87670
		65319			9	Washer, Hardened
		280431			3	Nut, 1/2"
36		850940			2	Sprocket, 19T, Upper Conveyor Drv., Replaces 676201 & 847786
		304726-S36			10	Screw, Cap, HH, G5, 1/2" x 1-1/4", Replaces 87670
		80679			10	Washer, Lock, 1/2"
37		693482			AR	Shim
38		675416			1	Shaft Weld Assy.
39		675609			8	Washer, Rubber
40		675611			8	Plate
		88346			8	Screw, Cap, HH, G5, 5/16" x 2-1/2"
		280736			8	Nut, Lock, GC, 5/16"
41		684638			1	Shield Weld Assy., R.H.
		304726-S36			6	Screw, Cap, HH, G5, 1/2" x 1-1/4", Replaces 87670
		65319			8	Washer, Hardened
		280431			6	Nut, 1/2"

AR - As Required

MODEL 855 ROUND BALER

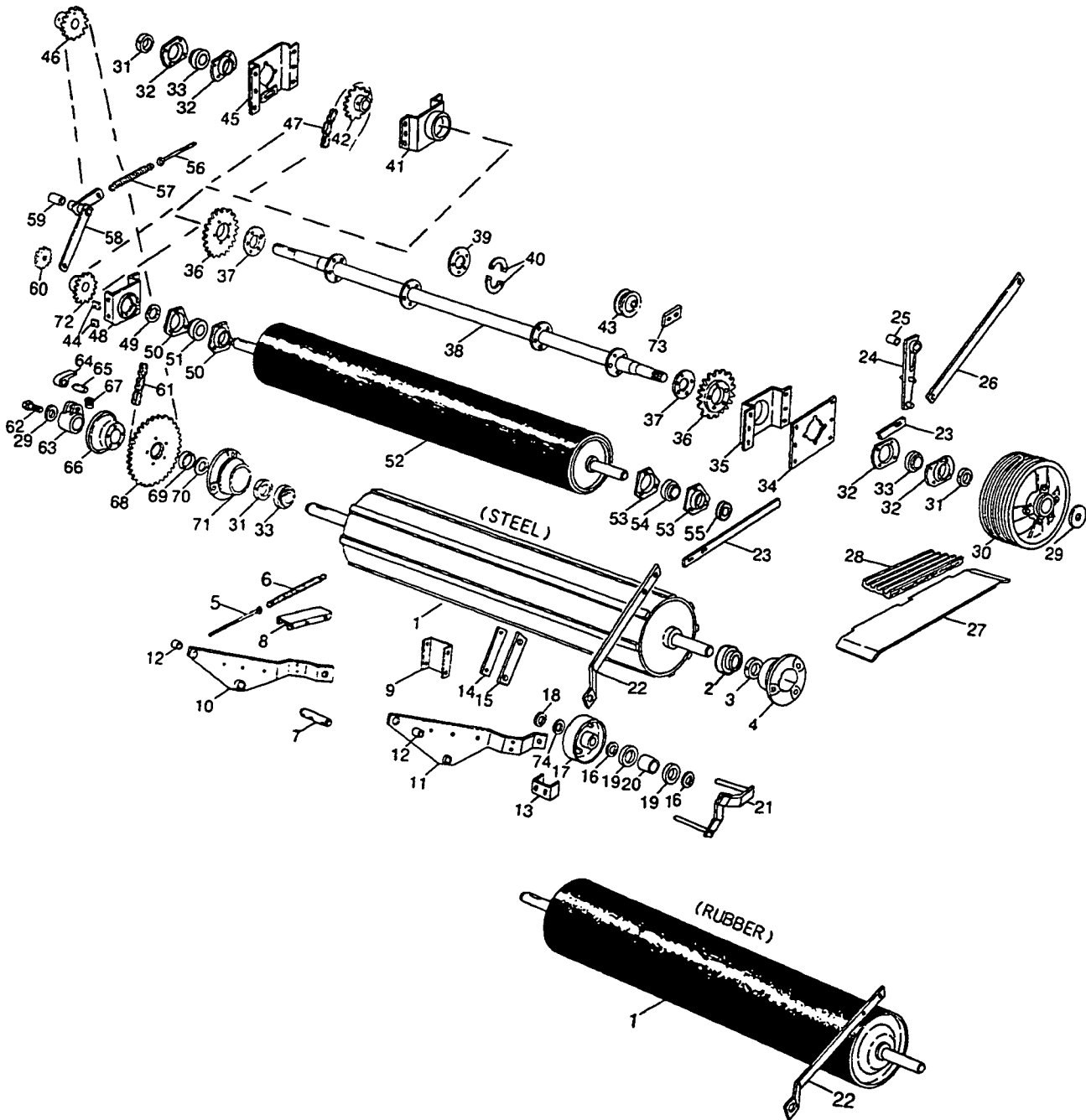
FIG. 9 - DRIVE GROUP -
USED ON & BSN 680739

REF	FN	PART NUMBER	FINIS	YR/SN	QTY	DESCRIPTION
42		675524			1	Sprocket Weld Assy., 21 T, Stripper Roll, Driver
		84361			1	Key, Woodruff, #21, 1/4" x 1-1/4"
		87616			2	Screw, Set, Sq. Hd., 3/8" x 3/4"
		84969			2	Nut, Jam, 3/8"
43		35469			1	Idler
		87339			1	Screw, Cap, HH, G5, 1/2" x 3"
		121512			AR	Washer, Special
		80679			1	Washer, Lock, 1/2"
		280431			1	Nut, 1/2"
44		58011			1	Shim
45		684636			1	Support Weld Assy., R.H.
46		675492			1	Sprocket Weld Assy., 19T, Floor Roll, Driver
		87125			1	Key, Woodruff, #TX, 3/8" x 2-3/4"
		87616			2	Screw, Set, Sq. Hd., 3/8" x 3/4"
		84969			2	Nut, Jam, 3/8"
47		134826			1	Chain, Roller, #60, 48 Total Pitches, Stripper Roll Drive
		25808			AR	Link, Roller
		25812			AR	Link, Collecting
		25817			AR	Link, Offset
48		675528			1	Mount, Bearing
		714555			4	Screw, Lock, 3/8" x 1" USR
		247780			2	Nut, Lock, 3/8" USR
49		131377			1	Collar, Locking
50		46912			2	Flangette
		87868			4	Bolt, Carriage, G5, 1/2" x 1-1/4"
		87364			4	Washer, 1/2" SAE
		80679			4	Washer, Lock, 1/2"
		280431			4	Nut, 1/2"
51		144831			1	Bearing & Collar Assy. Includes: Ref. 49
52		636295			1	Roll, Stripper
53		578189			2	Flangette
		280430			3	Bolt, Carriage, G5, 3/8" x 3/4"
		145458			3	Nut, Lock, 5/16" USR
54		63261			1	Bearing
55		54187			1	Collar, Locking
56		168764			1	Bolt, Eye
		145458			2	Nut, Lock, 5/16" USR
57		43295			1	Spring

AR - As Required

MODEL 855 ROUND BALER

FIG. 9 - DRIVE GROUP USED ON & BSN 680739



MODEL 855 ROUND BALER

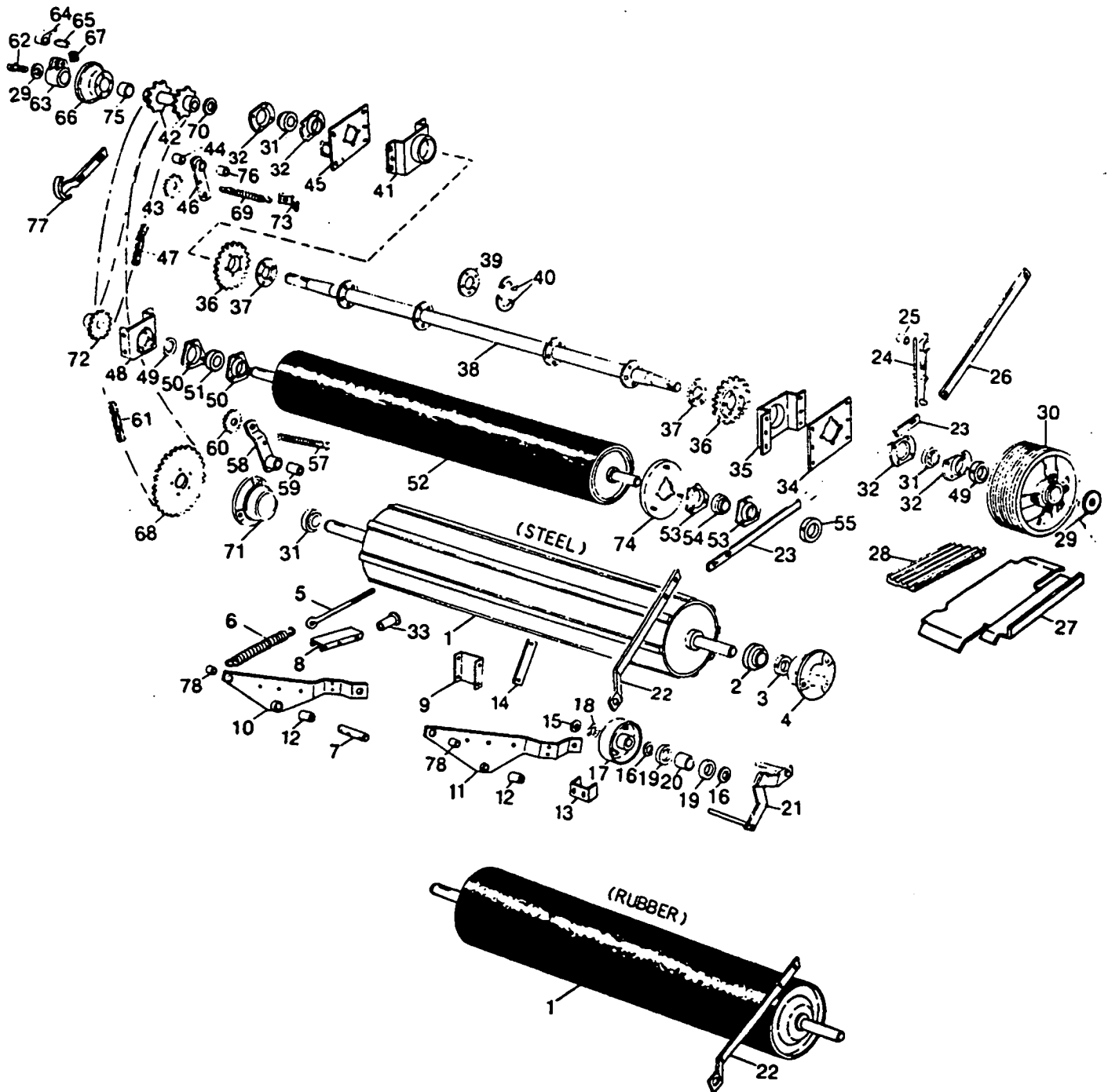
FIG. 9 - DRIVE GROUP -
USED ON & BSN 680739

REF	FN	PART NUMBER	FINIS	YR/SN	QTY	DESCRIPTION
58		675525			1	Arm Weld Assy. Includes: Ref. 59
		249100			AR	Washer, Special
		87398			1	Pin, Cotter, 3/16" x 1-1/4"
59		195183			2	Bushing
60		66614			1	Sprocket
		88556			1	Screw, Cap, HH, G5, 5/8" x 2-1/4"
		87365			AR	Washer, 5/8" SAE
		34796-S36			1	Washer, Lock, 5/8", Replaces 84057
		280374			1	Nut, G5, 5/8"
61		675529			1	Chain, Roller, #80, 93 Total Pitches, Floor Roll Drive
		140774			AR	Link, Roller
		140776			AR	Link, Connecting
		140775			AR	Link, Offset
62		221481			1	Screw, Drilled Cap
		87414			1	Fitting, Lube, 1/4"-28, Short
63		675042			1	Mount, Dog
64		218527			1	Clutch, Dog
65		46789			1	Pin
		80618			1	Pin, Cotter, 1/8" x 2"
66		675038			1	Clutch, Overrunning
		167050			2	Bushing
67		29840			1	Spring
68		675522			1	Sprocket, 41 Teeth, Floor Roll, Driven
		280373			5	Screw, Cap, HH, G5, 3/8" x 1-1/2" UNF
		80680			5	Washer, Lock, 3/8"
69		675484			1	Spacer
70		641845			AR	Washer
71		9617676			1	Hub, R.H., Replaces 638634
		87689			4	Screw, Cap, HH, 1/2" x 1-1/2"
		65319			8	Washer, Hardened
		88871			4	Nut, Lock, GC, 1/2"
72		675526			1	Sprocket, 21 Teeth, Stripper Roll, Driven
		84361			1	Key, Woodruff, #21, 1/4" x 1-1/4"
		87616			2	Screw, Set, Sq. Hd., 3/8"
		84969			2	Nut, Jam, 3/8"
73		768349			1	Clamp
		280420			1	Bolt, Carriage, G5, 1/2" x 1-1/2"
		80679			1	Washer, Lock, 1/2"
		280341			1	Nut, G5, 1/2"
74		626572			1	Washer

AR - As Required

MODEL 855 ROUND BALER

FIG. 10 - DRIVE GROUP USED ON & ASN 680740



MODEL 855 ROUND BALER

FIG. 10 - DRIVE GROUP -
USED ON & ASN 680740

REF	FN	PART NUMBER	FINIS	YR/SN	QTY	DESCRIPTION
1		9617461			1	Kit, Rubber Floor Roll (Optional), Replaces 770364 & 788900 Includes: Stripper
2		794350			1	Steel Floor Roll Weld Assy.
3		47066			1	Bearing
4		47067			1	Collar, Locking
		9617624			1	Hub, L.H., Replaces 768597 Includes: Ref. 2
		87689			4	Screw, Cap, HH, G5, 1/2" x 1-1/2"
		65319			8	Washer, Hardened
		88871			4	Nut, Lock, GC, 1/2"
5		782919			1	Bolt, Eye
		280431			2	Nut, G5, 1/2"
6		286527			1	Spring
7		680025			1	Pin
		26402			2	Washer
		72071-S36DS			2	Pin, Cotter, 1/8" x 1-1/2", Replaces 80708
8		682231			1	Channel
		87872			6	Screw, Cap, HH, G5, 5/16" x 3/4"
		145458			6	Nut, Lock, 5/16" USR
9		695679			1	Channel
		87872			4	Screw, Cap, HH, G5, 5/16" x 3/4"
		145458			4	Nut, Lock, 5/16" USR
10		675843			1	Arm Weld Assy., R.H. Includes: (1) Ref. 12
11		675844			1	Arm Weld Assy., L.H. Includes: (1) Ref. 12
		26402			AR	Washer
		80754			1	Pin, Cotter, 3/16" x 1-1/2"
12		15653			2	Bushing
13		691052		g	1	Channel
		794498			1	Channel
		256873			2	Screw, Lock, 5/16" x 1/2" USR
		145458			2	Nut, Lock, 5/16" USR
14		690911			1	Guide
		88854			2	Screw, Cap, Fl. Hd., Hex Socket, 5/16" x 7/8"
15		87381			1	Washer, 3/4" SAE
16		679750			2	Washer
17		687277			1	Idler
		300942-S36			1	Screw, Cap, HH, G5, 3/4" x 4-1/2", Replaces 88007
		84972			1	Nut, Jam, 3/4"
		87878			1	Washer, Lock, Ext. T, 3/4"

(1) - When Replacing P/N 688553 W/ P/N 788348, On & BSN 696375, Order 1/each of P/N 88421 & 84972.

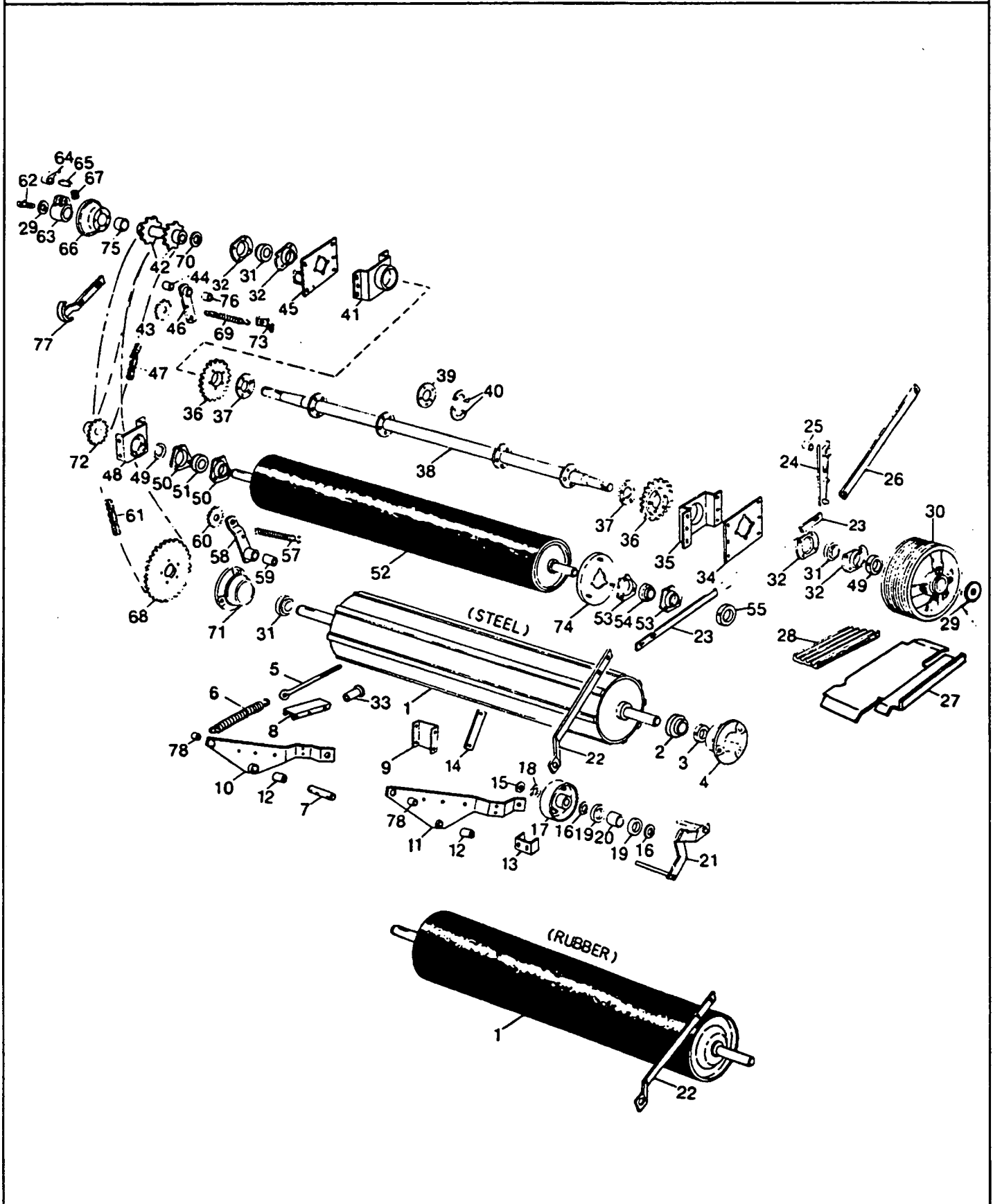
g - Used On & BSN 706837.

h - Used On & ASN 706838.

AR - As Required

MODEL 855 ROUND BALER

FIG. 10 - DRIVE GROUP USED ON & ASN 680740



MODEL 855 ROUND BALER

FIG. 10 - DRIVE GROUP -
USED ON & ASN 680740

REF	FN	PART NUMBER	FINIS	YR/SN	QTY	DESCRIPTION
18		626572			1	Washer
19		9807906			2	Bearing, Replaces 705211
20		687275			1	Spacer
21	(1)	788348			1	Support Weld Assy., Replaces 688553
		280375			1	Nut, Lock, GB, 3/4"
22		679360			1	Link Weld Assy.
23		679361			1	Strap
		280430			2	Bolt, Carriage, G5, 3/8" x 3/4"
		247780			2	Nut, Lock, USR, 3/8"
		87363			1	Washer, 7/16" SAE
		80756			1	Pin, Cotter, 1/8" x 3/4"
24		853804			1	Arm Weld Assy., Replaces 679358 Includes: Ref. 25
		87365			1	Washer, 5/8" SAE
		80755			1	Pin, Cotter, 1/8" x 1"
25		682151			1	Bushing, Plastic, Used W/679358
		12432			1	Bushing, Bronze, Used W/853804
26		679359			1	Strap
		87016			AR	Washer, 3/8" SAE
		80756			2	Pin, Cotter, 1/8" x 3/4"
27		695691			1	Guide, Replaces 675612
		271288			4	Screw, Lock, 5/16" x 5/8" USR
		145458			4	Nut, Lock, 5/16" USR
28		717399			1	V-Belt
29		694478			2	Washer, Hardened
		87689			1	Screw, Cap, HH, G5, 1/2" x 1-1/2"
30		675498			1	Sheave
31		770370			3	Bearing, W/Collar
32		76450			4	Flange
		87689			4	Screw, Cap, HH, G5, 1/2" x 1-1/2"
		87868			4	Bolt, Carriage, G5, 1/2" x 1-1/4"
		65319			8	Washer, Special
		80679			12	Washer, Lock, 1/2"
		280431			8	Nut, 1/2"
33	(1)	785760			1	Spacer Weld Assy.
34		684635		e	1	Support, L.H.
		770495		i	1	Support, L.H.
		9601092		h	1	Support, L.H., Replaces 798865
35		675724		e	1	Shield Weld Assy., L.H.
		9601094		f	1	Shield Weld Assy., L.H., Replaces 786019
		304726-S36			6	Screw, Cap, HH, G5, 1/2" x 1-1/4", Replaces 87670
		65319			9	Washer, Hardened
		280431			3	Nut, 1/2"

(1) - Used On & ASN 687803.

e - Used On & BSN 696374.

f - Used On & ASN 696375.

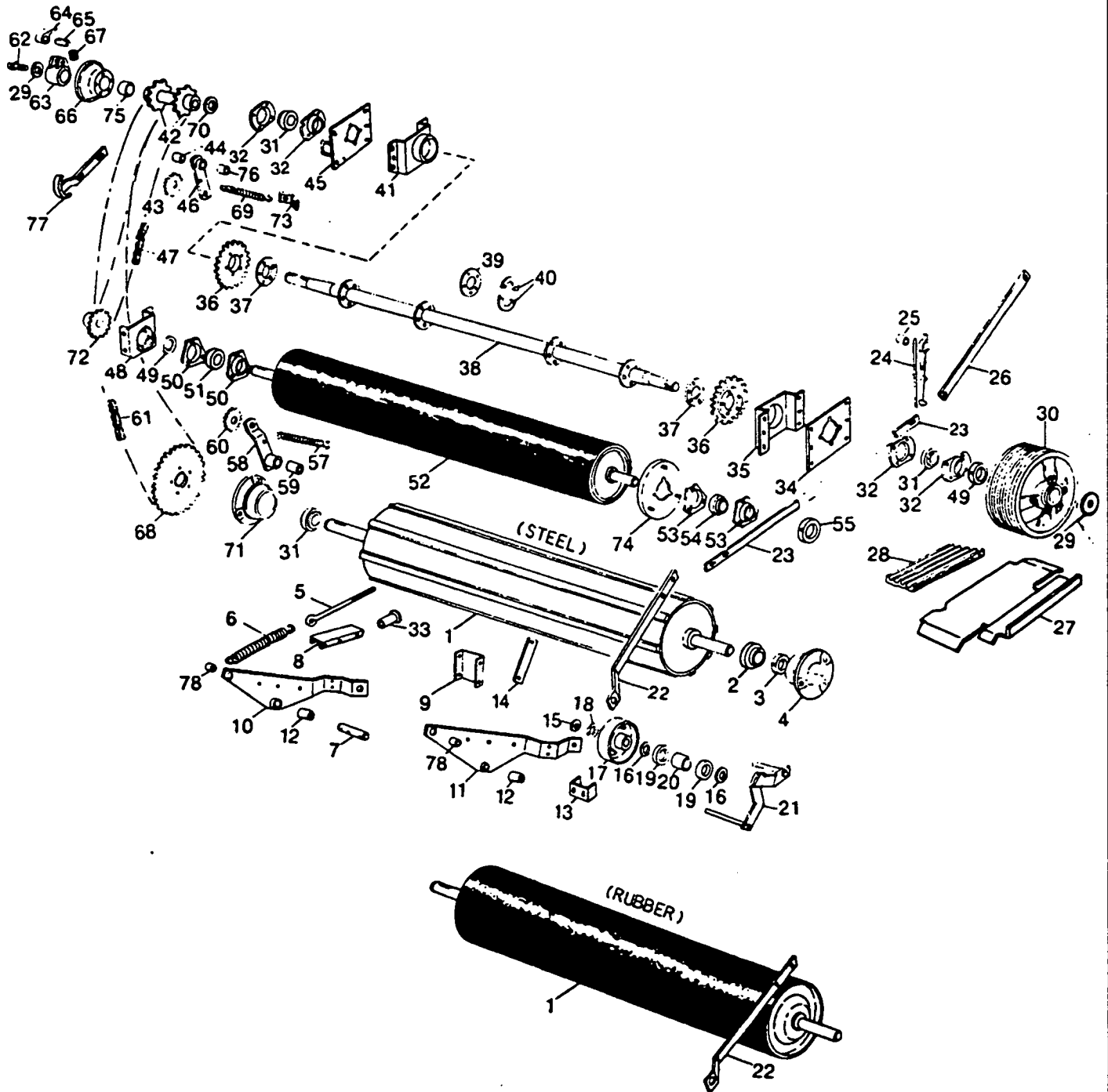
h - Used On & ASN 706838.

i - Used On & Between S/N #696375 & 706837.

AR - As Required

MODEL 855 ROUND BALER

FIG. 10 - DRIVE GROUP USED ON & ASN 680740



MODEL 855 ROUND BALER

FIG. 10 - DRIVE GROUP -
USED ON & ASN 680740

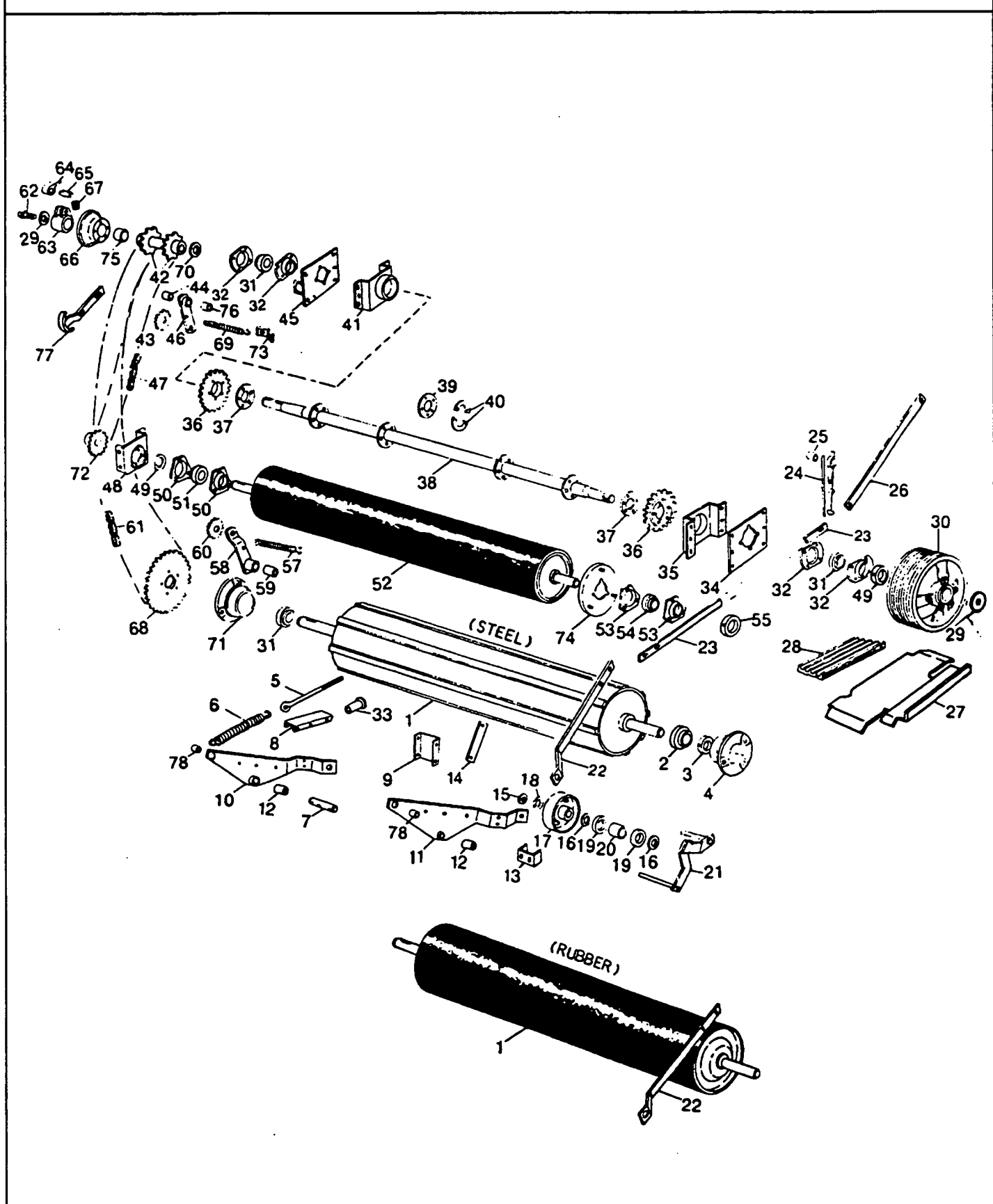
REF	FN	PART NUMBER	FINIS	YR/SN	QTY	DESCRIPTION
36		850940			2	Sprocket, 19T, Upper Conveyor Drive, Replaces 676201 & 847786
		304726-S36			10	Screw, Cap, HH, G5, 1/2" x 1-1/4", Replaces 87670
		80679			10	Washer, Lock, 1/2"
37		693482			AR	Shim
38		855346			1	Shaft Weld Assy., Replaces 770360 and 794214
39		675609			8	Washer, Rubber
40		675611			8	Plate
		88346			8	Screw, Cap, HH, G5, 5/16" x 2-1/2"
		280736			8	Nut, Lock, GC, 5/16"
41		684638		e	1	Shield Weld Assy., R.H.
		304726-S36			6	Screw, Cap, HH, G5, 1/2" x 1-1/4", Replaces 87670
		65319			7	Washer, Hardened
		280431			6	Nut, 1/2"
42		764616			1	Sprocket Weld Assy., 21T, Roll, Stripper, Driver 19T, Roll Driver Includes: Ref. 75
43		511265		g	1	Idler
		88556			1	Screw, Cap, HH, G5, 5/8" x 2-1/4"
		27697			AR	Washer, Special
		280375			1	Nut, Lock, 5/8"
44		786551		g	1	Spacer, Replaces 284881
45		764636		e	1	Support Weld Assy., R.H.
		770494		i	1	Support Weld Assy., R.H.
		9601092		k	1	Support Weld Assy., R.H.
		9622135		j	1	Support Weld Assy., R.H.
		304726-S36			5	Screw, Cap, HH, G5, 1/2" x 1-1/4", Replaces 87670
		65319			7	Washer
		280431			2	Nut, 1/2"
46		767386		g	1	Idler Arm Weld Assy.
		87972			1	Screw, Cap, HH, G5, 1/2" x 2-1/2"
		65319			AR	Washer, Hardened
		280431			1	Nut, G5, 1/2"
47		66494		g	1	Chain, Roller, #60, 50 Total Pitches, Drive, Stripper Roll
		135219		h	1	Chain, Roller, #60, 46 Total Pitches, Drive, Stripper Roll
		25808			AR	Link, Roller
		25812			AR	Link, Collecting
		25817			AR	Link, Offset

- e - Used On & BSN 696374.
- g - Used On & BSN 706837.
- h - Used On & ASN 706838.
- i - Used On & Between Serial #696375 & 706837.
- j - Used On & ASN 806179.
- k - Used On & Between Serial #706838 & 806178.

AR - As Required

MODEL 855 ROUND BALER

FIG. 10 - DRIVE GROUP USED ON & ASN 680740



MODEL 855 ROUND BALER

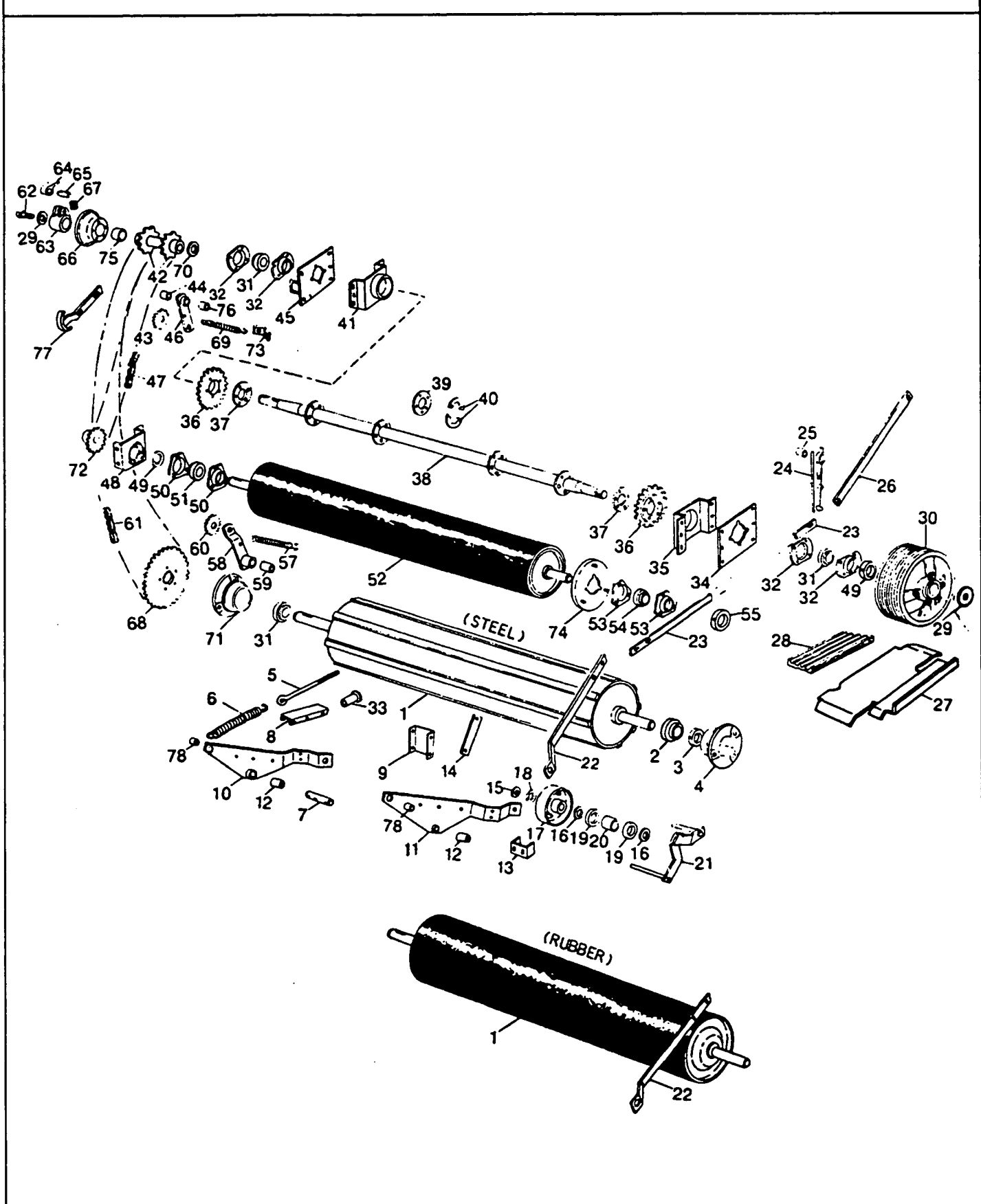
FIG. 10 - DRIVE GROUP -
USED ON & ASN 680740

REF	FN	PART NUMBER	FINIS	YR/SN	QTY	DESCRIPTION
48		770497			1	Bearing Mount Weld Assy., R.H.
		88206			4	Screw, Cap, HH, G5, 3/8" x 1"
		9827956			6	Washer, Replaces 602590
		84944			2	Nut, 3/8"
49		45631			1	Collar, Locking
50		46912			2	Flangette
		87868			4	Bolt, Carriage, G5, 1/2" x 1-1/4"
		80700			4	Washer, 1/2"
		80679			4	Washer, Lock, 1/2"
		280431			4	Nut, 1/2"
51		133941			1	Bearing
52		770362			1	Roll, Stripper
53		578189			2	Flangette
		280430			3	Bolt, Carriage, G5, 3/8" x 3/4"
		247780			2	Nut, Lock, USR, 3/8"
54		63261			1	Bearing
55		54187			1	Collar, Locking
57		510330			1	Spring
58		764632			1	Arm Weld Assy. Includes: Ref. 59
		249100			AR	Washer, Special
		87398			1	Pin, Cotter, 3/16" x 1-1/4"
59		195183			2	Bushing
60		66614			1	Sprocket
		88556			1	Screw, Cap, HH, G5, 5/8" x 2-1/4"
		87365			1	Washer, 5/8" SAE
		34796-S36			1	Washer, Lock, 5/8", Replaces 84057
		280374			1	Nut, G5, 5/8"
61		675529			1	Chain, Roller, #80, 93 Total Pitches, Drive, Floor Roll
		140774			AR	Link, Roller
		140776			AR	Link, Connecting
		140775			AR	Link, Offset
62		794219			1	Screw, Drilled, Cap
		87414			1	Fitting, Lube, 1/4"-28, Short
63		642296			1	Mount, Dog
64		218527			1	Clutch, Dog
65		46789			1	Pin
		80618			1	Pin, Cotter, 1/8" x 2"
66		640934			1	Clutch, Overrunning
		88428			5	Screw, Cap, HH, G5, 3/8" x 1-3/4"
		80680			5	Washer, Lock, 3/8"
67		29840			1	Spring
68		797773			1	Sprocket, 41T, Floor Roll, Driven, Replaces 641852
		87125			1	Key, Woodruff, 1-3/8" x 2-3/4"
		87616			2	Screw, Set, Sq. Hd., 3/8" x 3/4"
		84969			2	Nut, Jam, 3/8"

AR - As Required

MODEL 855 ROUND BALER

FIG. 10 - DRIVE GROUP USED ON & ASN 680740



MODEL 855 ROUND BALER

FIG. 10 - DRIVE GROUP -
USED ON & ASN 680740

REF	FN	PART NUMBER	FINIS	YR/SN	QTY	DESCRIPTION
69		175046		g	1	Spring, Replaces 219641
70		641845			AR	Washer
71		9617676			1	Hub, R.H., Replaces 638634 Includes: Ref. 31
		87689			4	Screw, Cap, HH, 1/2" x 1-1/2"
		65319			8	Washer, Hardened
		88871			4	Nut, Lock, GC, 1/2"
72		767789			1	Sprocket, 21 Teeth, Stripper Roll, Driven
		84361			1	Key, Woodruff, #21, 1/4" x 1-1/4"
		84983			2	Screw, Set, Sq. Hd., 3/8"
		84969			2	Nut, Jam, 3/8"
73		261751		g	1	Angle
		84943			1	Nut, 5/16"
74		770499		f	1	Bearing Support Weld Assy., L.H.
		9827956			3	Washer, Replaces 602590
		84944			3	Nut, 3/8"
75		167050			2	Bushing
76		40293			1	Bushing
77		791309		h	1	Chain Idler Weld Assy.
		304800-S36			1	Screw, Cap, HH, G5, 1/2" x 1-3/4", Replaces 88551
		280502			1	Bolt, Carriage, G5, 1/2" x 1-1/2"
		64263			2	Washer, Special
		65319			3	Washer, Hardened
		280431			2	Nut, G5, 1/2"
78		76165			2	Hub

f - Used On & ASN 696375.

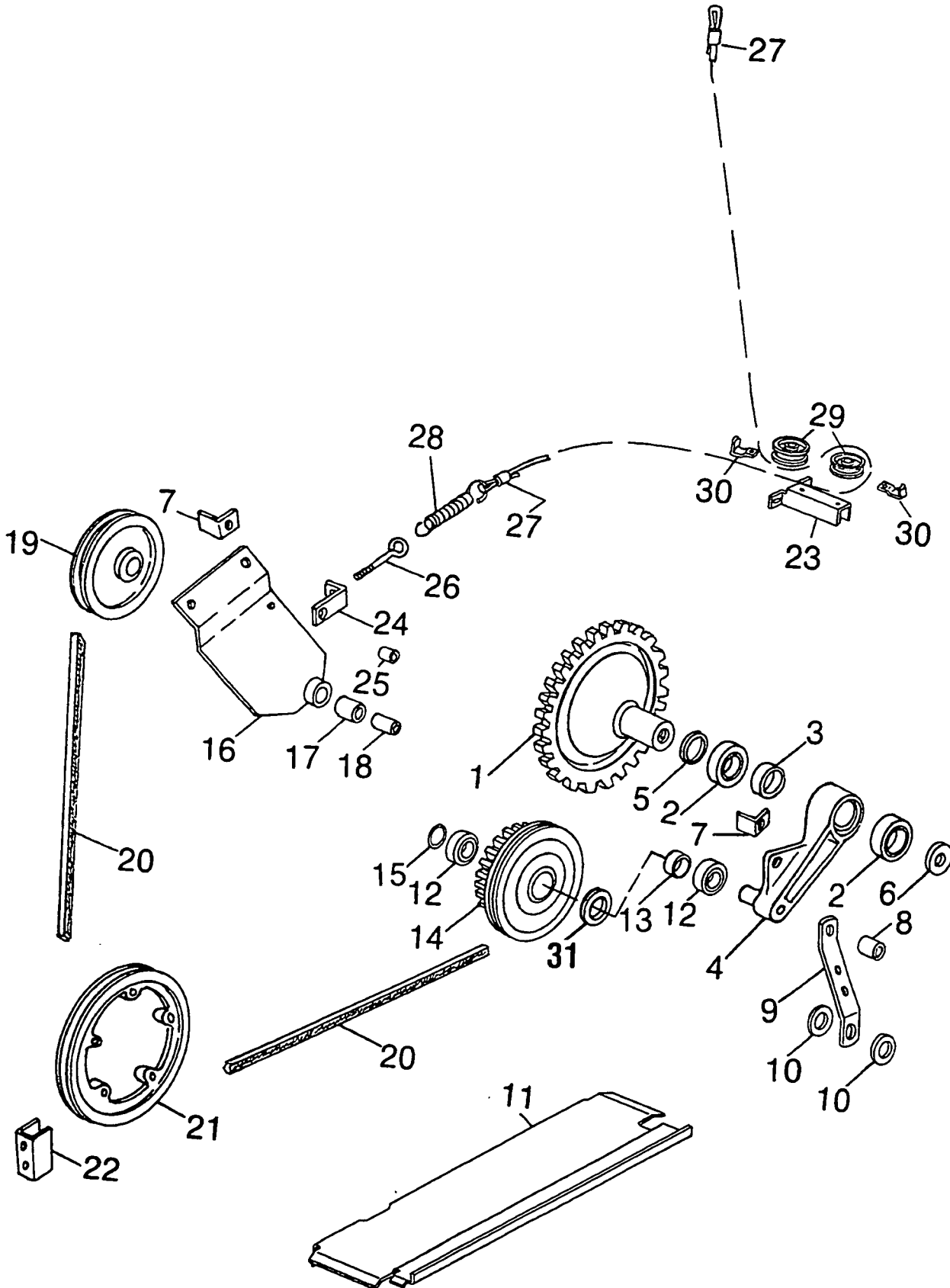
g - Used On & BSN 706837.

h - Used On & ASN 706838.

AR - As Required

MODEL 855 ROUND BALER

FIG. 11 - REVERSE DRIVE GROUP



MODEL 855 ROUND BALER

FIG. 11 - REVERSE DRIVE GROUP

REF	FN	PART NUMBER	FINIS	YR/SN	QTY	DESCRIPTION
1		649147			1	Gear, 41T
		304720-S36			5	Screw, Cap, HH, G5, 5/16" x 1-1/4", Replaces 87657
		34791-S36			5	Washer, Lock, 5/16", Replaces 80681
2		210043			2	Bearing, Ball
3		699972			1	Spacer
4		687351			1	Arm
		87909			1	Screw, Cap, HH, G5, 1/2" x 1"
5		146258			1	Washer
6		788851			1	Washer, Replaces 576658
7		686362			2	Guide
		88543			1	Screw, Cap, HH, G5, 5/16" x 1"
		34791-S36			1	Washer, Lock, 5/16", Replaces 80681
		84943			1	Nut, 5/16"
8		516579			1	Spacer, Replaces 128699
9		686559		g	1	Link
		796374		h	1	Link
		707851			1	Screw, Cap, Special, 3/8" x 1"
		87016			1	Washer, 3/8" SAE
10		27696			2	Washer
		80744			1	Pin, Cotter, 5/32" x 1"
11		695691			1	Guide, Replaces 675612
		271288			4	Screw, Lock, 5/16" x 5/8" USR
		145458			4	Nut, Lock, 5/16" USR
12		34439			2	Bearing
13		273379			1	Bushing
14		649149			1	Sheave
		88434			1	Screw, Cap, HH, G5, 3/8" x 3/4"
15		139957			1	Washer, Replaces 678235
16		859048			1	Arm Weld Assy., Replaces 686365 Includes: Ref. 17
		87846			1	Screw, Cap, Fl. Hd., Hex Socket, 3/8" x 1-3/4"
		87016			1	Washer, 3/8" SAE
		84944			1	Nut, 3/8"
		84040			1	Nut, Lock, GB, 3/8"
17		47569			1	Bushing
18		767501			1	Tube
19		58106			1	Idler
		87975			1	Screw, Cap, HH, G5, 1/2" x 2-1/4"
		87364			AR	Washer, 1/2" SAE
		80679			1	Washer, Lock, 1/2"
		280431			1	Nut, 1/2"

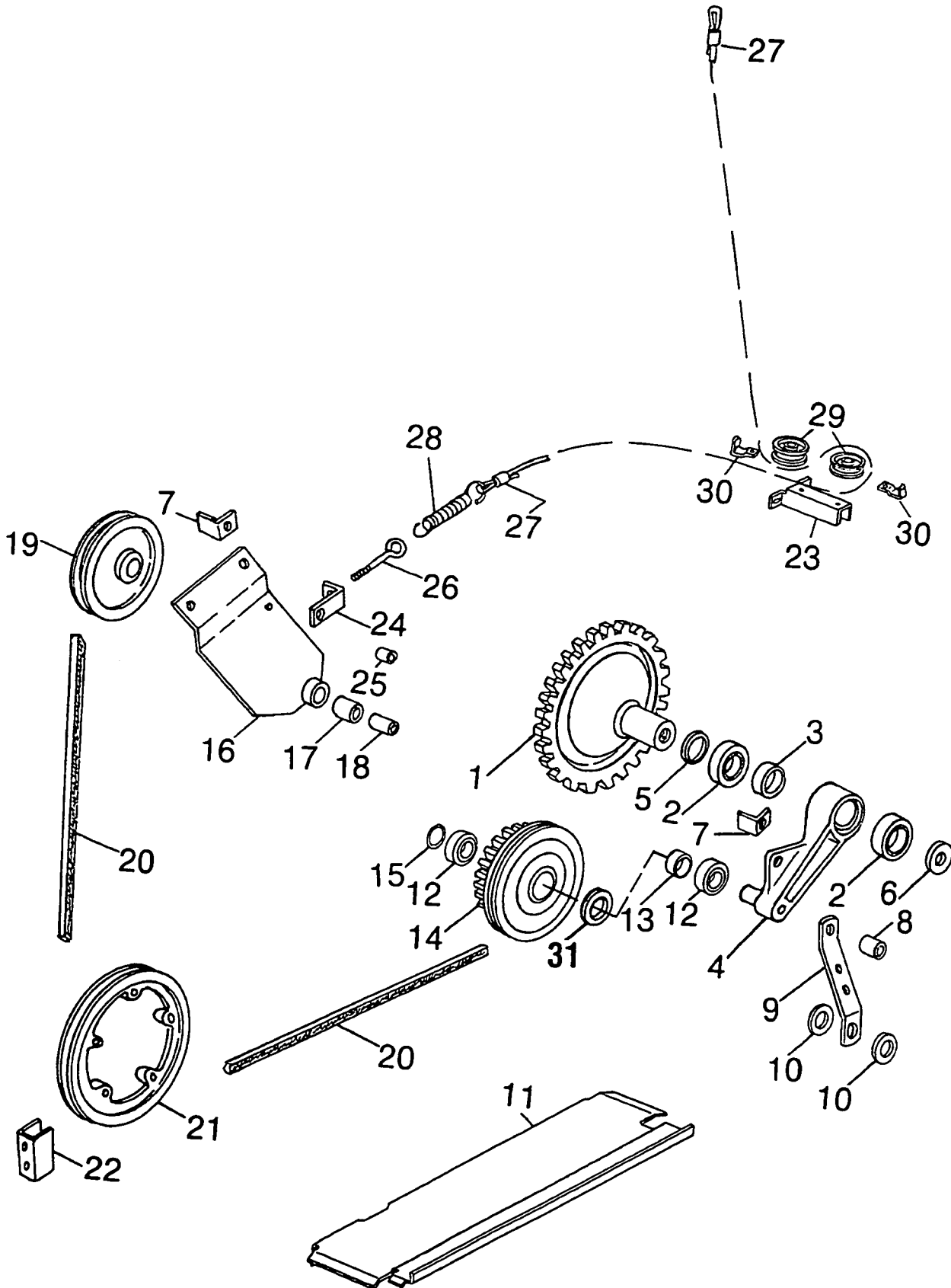
g - Used On & BSN 706837

h - Used On & ASN 706838

AR - As Required

MODEL 855 ROUND BALER

FIG. 11 - REVERSE DRIVE GROUP



MODEL 855 ROUND BALER

FIG. 11 - REVERSE DRIVE GROUP

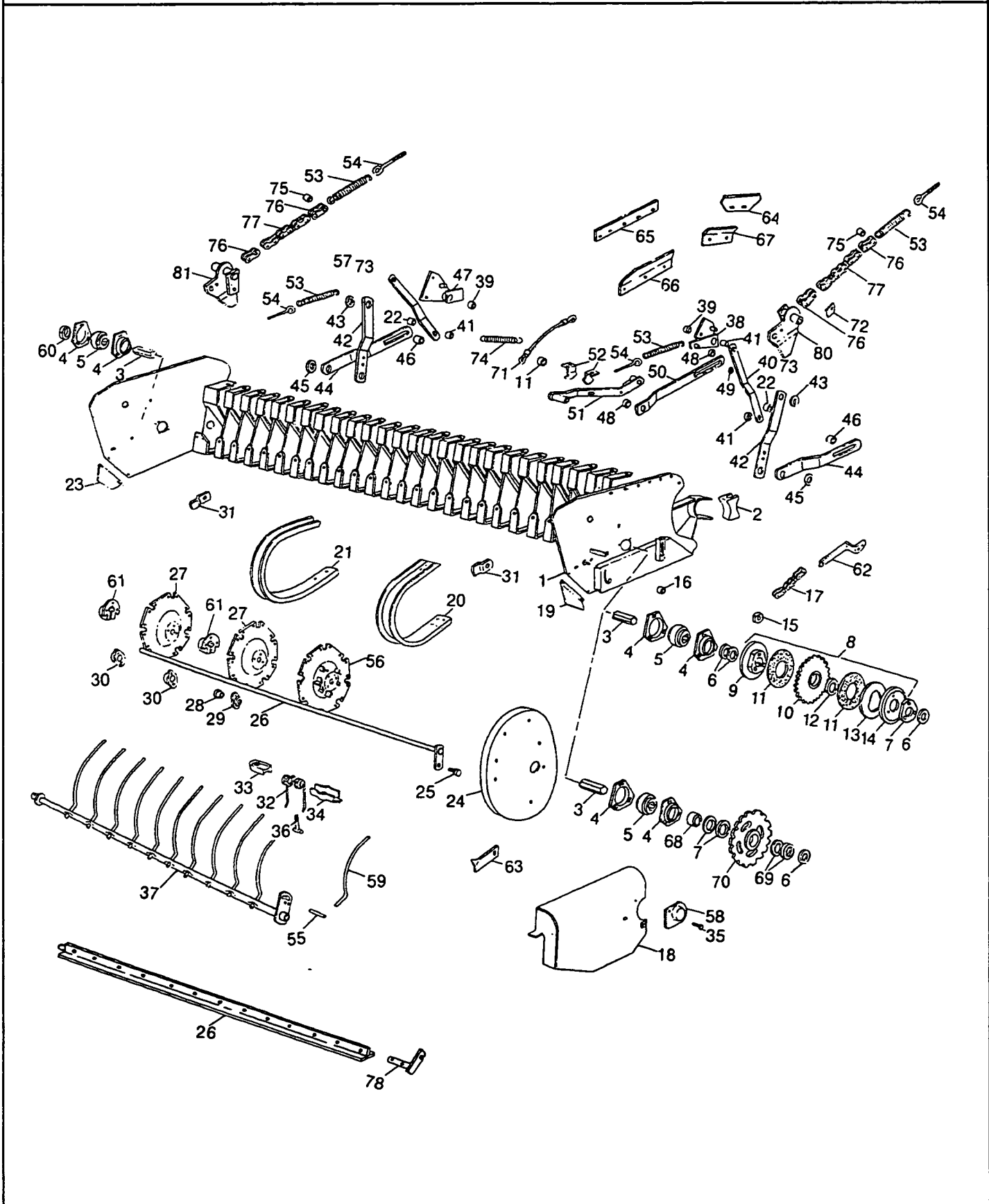
REF	FN	PART NUMBER	FINIS	YR/SN	QTY	DESCRIPTION
20		679215			1	V-Belt
21		649151		g	1	Sheave
		88346			5	Screw, Cap, HH, G5, 5/16" x 2-1/2"
		34791-S36			5	Washer, Lock, 5/16", Replaces 80681
22		688238		g	1	Channel
		794498		h	1	Guide
		271288			2	Screw, Lock, 5/16" x 5/8" USR
		145458			2	Nut, Lock, 5/16" USR
23		695182			1	Channel
		304726-S36			1	Screw, Cap, HH, G5, 1/2" x 1-1/4", Replaces 87670
		80700			1	Washer, 1/2"
		80679			1	Washer, Lock, 1/2"
24		686361			1	Angle
		84944			2	Nut, 3/8"
		304720-S36			1	Screw, Cap, HH, G5, 5/16" x 1-1/4", Replaces 87657
		87362			1	Washer, 5/16" SAE
		34791-S36			1	Washer, Lock, 5/16", Replaces 80681
		84943			1	Nut, 5/16"
		64263			1	Washer
25		622263			1	Spacer
26		46041			1	Bolt, Eye
		84944			2	Nut, 3/8"
27		687090			1	Cable
		87363			1	Washer, 7/16", Plain SAE
		80756			1	Pin, Cotter, 1/8" x 3/4"
28		9614045			1	Spring, Replaces 32308
29		632545			2	Idler
		88428			2	Screw, Cap, HH, G5, 3/8" x 1-3/4"
		247780			2	Nut, Lock, 3/8" USR
30		686883			2	Guard
31		26130			1	Washer

g - Used On & BSN 706837

h - Used On & ASN 706838

MODEL 855 ROUND BALER

FIG. 12 - PICK-UP GROUP



MODEL 855 ROUND BALER

FIG. 12 - PICK-UP GROUP

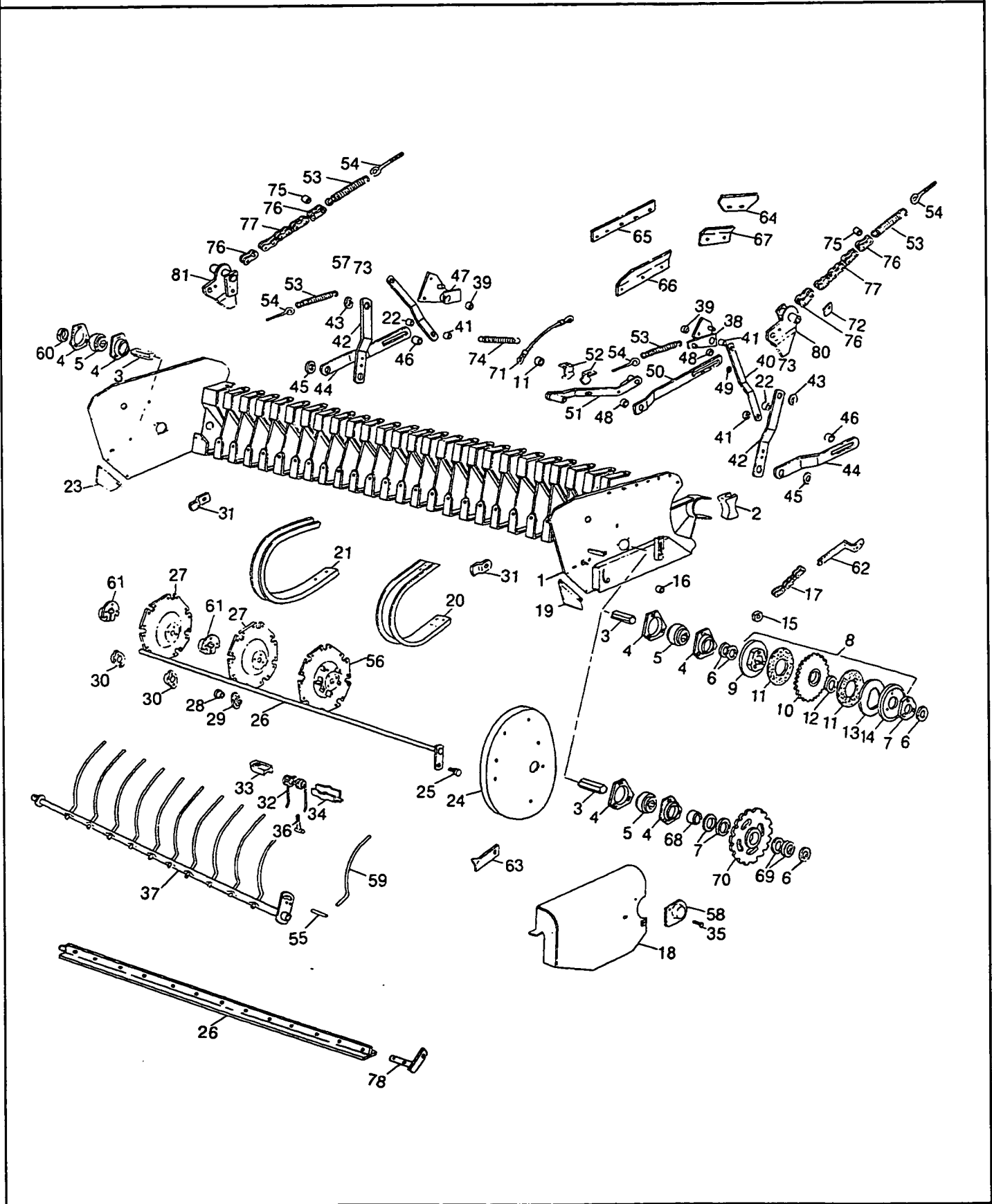
REF	FN	PART NUMBER	FINIS	YR/SN	QTY	DESCRIPTION
1		9614948			1	Complete Pickup Assy.
		770490		g	1	Frame Weld Assy., Replaces 684890
		847556		h	1	Frame Weld Assy.
2		680745			2	Brace
		88577			2	Screw, Cap, HH, G5, 1/2" x 6-1/2"
		80679			2	Washer, Lock, 1/2"
3		675276			1	Shaft
		80754			1	Pin, Cotter, 3/16" x 1-1/2"
		88617			1	Pin, Spring, 3/16" x 2"
4		578189			4	Flangette
		255918			3	Screw, Lock, 3/8" x 3/4" USR
		88428			3	Screw, Cap, HH, G5, 3/8" x 1-3/4"
		247780			6	Nut, Lock, 3/8" USR
5		121602			2	Bearing
6		164999			AR	Washer
7		707372		e	1	Bracket
8		641596		e	1	Slip Clutch Assy. Includes: Ref. 9 thru 14
9		121091		e	1	Hub, Clutch
10		136560		e	1	Sprocket Includes: Ref. 12
11		127434		e	2	Disc, Friction
12		49686		e	1	Bushing
13		49683		e	1	Plate, Clutch
14		121092		e	1	Washer, Spring
		88011			3	Screw, Cap, HH, G5, 3/8" x 1-1/4"
15		166704			1	Idler
		88727			1	Bolt, RDH, Short Sq. Neck, G5 1/2" x 2-1/2"
		80679			1	Washer, Lock, 1/2"
		576658			2	Washer, Special
		280431			1	Nut, 1/2"
16		698872			3	Spacer
17		642165			1	Chain, Roller, RC2050, 52 Pitches, Replaces 784995
		25810			AR	Link, Regular
		25819			AR	Link, Offset
		25193			AR	Link, Connector
18		676459			1	Shield Weld Assy.
		677808			4	Screw, Lock, Thread-Forming, 1/4" x 5/8" USR
19		675272			1	Shield, L.H.
		118821			2	Screw, Machine, Truss Hd., 5/16" x 1/2"
		145458			2	Nut, Lock, 5/16" USR

e - Used On & BSN 696374.
g - Used On & BSN 706837.
h - Used On & ASN 706838.

AR - As Required

MODEL 855 ROUND BALER

FIG. 12- PICK-UP GROUP



MODEL 855 ROUND BALER

FIG. 12 - PICK-UP GROUP

REF	FN	PART NUMBER	FINIS	YR/SN	QTY	DESCRIPTION
20		697167			2	Guard, Pick-Up, Replaces 675253
		677808			16	Screw, Lock, Thread-Forming, 1/4" x 5/8" USR
21		638867			25	Guard, Pick-Up
		677808			100	Screw, Lock, Thread-Forming, 1/4" x 5/8" USR
22		9849365			2	Spacer
23		675273			1	Shield, R.H.
		118821			2	Screw, Machine, Truss Hd., 5/16" x 1/2"
24		675303			1	Cam Weld Assy.
		714555			1	Screw, Lock, 3/8" x 1" USR
		88682			2	Bolt, Carriage, G5, 3/8" x 1"
		247780			2	Nut, Lock, 3/8" USR
25		249062		e/f	6/5	Follower, Cam
		87364		e	12	Washer, SAE, 1/2"
		87364		f	10	Washer, SAE, 1/2"
		88130		e	6	Nut, Lock, GC, 1/2" UNF
		88130		f	5	Nut, Lock, GC, 1/2" UNF
26		768940		e	6	Tooth Pipe Weld Assy., Replaces 685533
		784918		l	5	Tooth Pipe Weld Assy.
		9614946		k	5	Angle Weld Assy., Replaces 788846
27	(1)	770439		e	2	Pick-Up Disc Weld, Replaces 681039
	(2)	697169		k/l	1/2	Pick-Up Disc Weld
		9610786		l	1	Pick-Up Disc Weld Assy.
		88011		k/l	3/6	Screw, Cap, HH, G5, 3/8" x 1-1/4"
		88902		k/l	3/6	Nut, Lock, GC, 3/8"
		9827956		k/l	3/6	Washer
		280620		n	1	Screw, Cap, HH, 1/2" x 3"
		88871		n	1	Nut, Lock, GC, 1/2"
28		54770		e/f	6/5	Bearing
		136521		e	6	Pin, Cotter, Hardened, 1/4" x 1-1/2"
		136521		f	5	Pin, Cotter, Hardened, 1/4" x 1-1/2"
29		54695		e/f	6/5	Carrier, Bearing
		88639		e	12	Bolt, RDH, Short Sq. Neck, G5, 3/8" x 3/4"
		88639		f	10	Bolt, RDH, Short Sq. Neck, G5, 3/8" x 3/4"
		88902		e	12	Nut, Lock, GC, 3/8"
		88902		f	10	Nut, Lock, GC, 3/8"
30		638025		e/l	12/10	Bearing
		88682		k	5	Bearing
		88682		e	24	Bolt, Carriage, G5, 3/8" x 1"
		88682		l	20	Bolt, Carriage, G5, 3/8" x 1"
		88682		k	10	Bolt, Carriage, G5, 3/8" x 1"
		88902		e	24	Nut, Lock, GC, 3/8"
		88902		l	20	Nut, Lock, GC, 3/8"
		88902		k	10	Nut, Lock, GC, 3/8"

(1) - When Ordering P/N 770439 in Place of P/N 681039, also Order (1) 695418, (3) 88011, (3) 88902 & (3) 9827956

(2) - Used on BSN T86144

e - Used on BSN 696374.

f - Used On & ASN 696375.

i - Used on & BSN 733139.

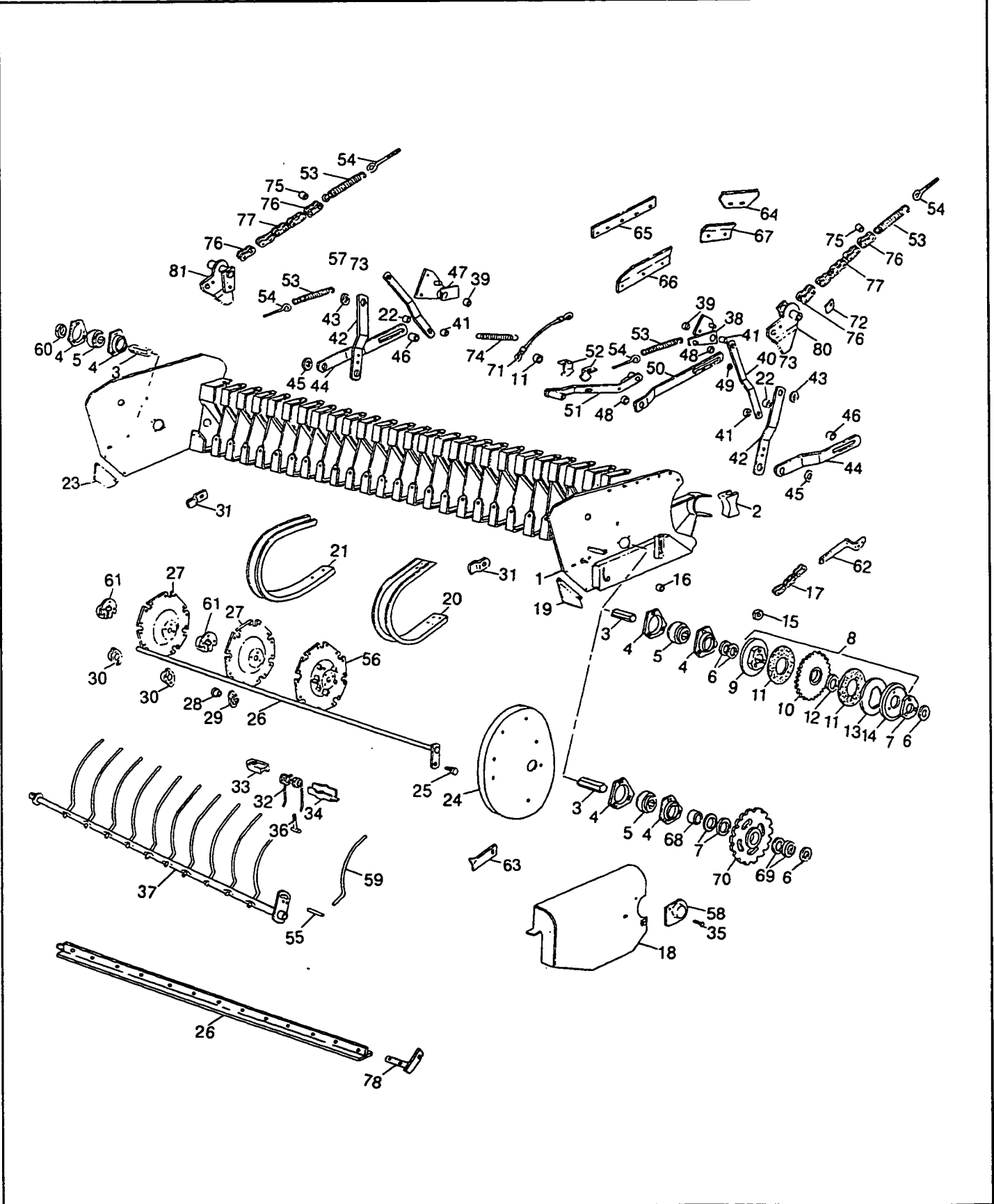
k - Used on & ASN 733140.

l - Used On & Between Serial #696375 & 733139

n - Used On & ASN 786145

MODEL 855 ROUND BALER

FIG. 12 - PICK-UP GROUP



MODEL 855 ROUND BALER

FIG. 12 - PICK-UP GROUP

REF	FN	PART NUMBER	FINIS	YR/SN	QTY	DESCRIPTION
31		40662			2	Bracket
		84909			2	Screw, Machine, Truss Hd., 1/4" x 3/4"
		523282			2	Nut, Lock, 1/4" USR
32	(1)	683310		e	78	Finger, Pick-Up
		788853		l	65	Finger, Pick-Up
		88011		k	65	Finger, Pick-Up
		9618968			60	Screw, Cap, HH, G5, 3/8" x 1-1/4"
		88902			65	Washer, PL, HT
		88540			65	Nut, Lock, GC, 3/8"
33	(1)	136137		e	5	Screw, Cap, HH, G5, 3/8" x 2-1/4"
34	(1)	134921		l	78	Bracket, Pick-Up Tooth
35		29840			65	Bracket, Pick-Up Tooth
		304720-S36			78	Bracket, Pick-Up Tooth, Upper
		87362			65	Bracket, Pick-Up Tooth, Upper
		280736			1	Spring
36	(2)	130891		e	1	Screw, Cap, HH, G5, 5/16" x 1-1/4", Replaces 87657
		280736		l	1	Washer, 5/16" SAE
		280736		f	1	Nut, Lock, GC, 5/16"
		675275			78	Bolt, Special
37		43302		e	65	Bolt, Special
				f	78	Nut, Lock, GC, 5/16"
					65	Nut, Lock, GC, 5/16"
38		785002		g	1	Wind Guard Weld Assy., Inc. (13 640599 Finger Includes: (13) 640599 Finger
39		37136			2	Cotter, Hairpin
40		676950		g	1	Plate Weld Assy., L.H., Replaces 640674 Includes: (1) Ref. 39
		87689			2	Bushing
		87975			1	Link, L.H.
		87364			1	Screw, Cap, HH, G5, 1/2" x 1-1/2"
		80679			1	Screw, Cap, HH, G5, 1/2" x 2-1/4"
		280431			4	Washer, 1/2" SAE
41		131522			2	Washer, Lock, 1/2"
42		675297			1	Nut, 1/2"
43		846647		h	4	Spacer
44		197025			2	Link
		675296			2	Link
		846652			AR	Washer
		87364			2	Flat
		80679			2	Flat
		280431			4	Washer, 1/2" SAE
					2	Washer, 1/2"
					2	Nut, 1/2"

(1) - Used On & BSN 733139

(2) - Used On & BSN 706837

e - Used On & BSN 696374

f - Used On & ASN 696375.

g - Used On & BSN 706837.

h - Used On & ASN 706838.

i - Used On & BSN 733139

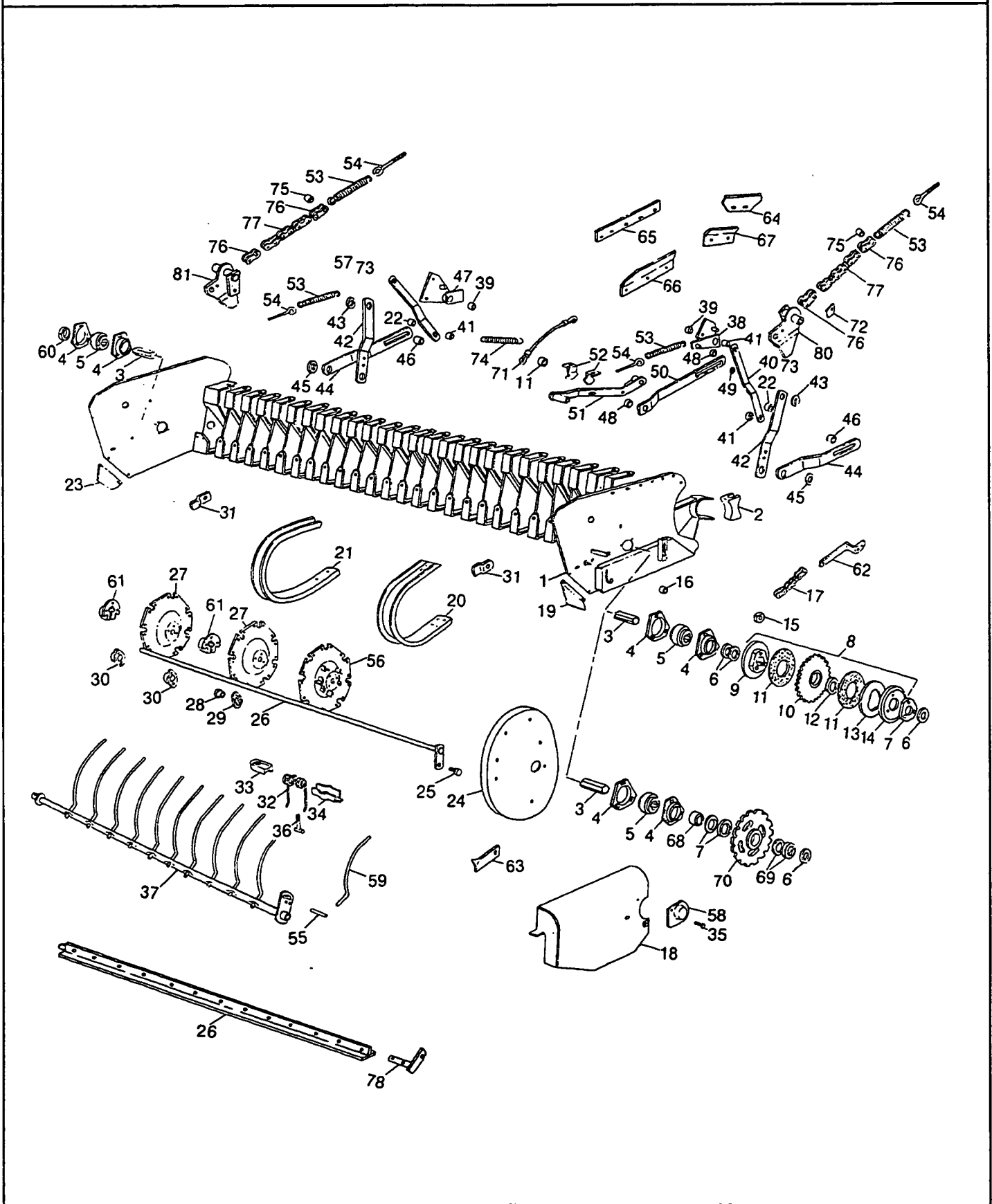
k - Used On & ASN 733140

l - Used On & Between S/N 696375 & 733139

AR - As Required

MODEL 855 ROUND BALER

FIG. 12 - PICK-UP GROUP



MODEL 855 ROUND BALER

FIG. 12 - PICK-UP GROUP

REF	FN	PART NUMBER	FINIS	YR/SN	QTY	DESCRIPTION
45		130357			AR	Washer, Special
46		144607			2	Spacer
47		640675		g	1	Plate Weld Assy., R.H. Includes: (1) Ref. 39
		87414			1	Fitting, Lube, 1/4"-28
48		254146			1	Spacer
49		87365			2	Washer, 5/8" SAE
50		643084		g	1	Link
		87398			1	Pin, Cotter, 3/16" x 1-1/4"
		88011			1	Screw, Cap, HH, G5, 3/8" x 1-1/4"
		87016			1	Washer, 3/8" SAE
		80680			1	Washer, Lock, 3/8"
		84944			1	Nut, 3/8"
51		642729			1	Handle Weld Assy.
		87414			1	Fitting, Lube, 1/4"-28
		87367			AR	Washer, 1", SAE
		80754			1	Pin, Cotter, 3/16" x 1-1/2"
52		684720			1	Spring
		88832			2	Bolt, Carriage, G5, 1/4" x 3/4"
		87361			2	Washer, 1/4", SAE
		80682			2	Washer, Lock, 1/4"
		84942			2	Nut, 1/4"
53		639632		g	2	Spring
		695260		h	2	Spring
54		631201			2	Bolt, Eye
		87016			2	Washer, 3/8", SAE
		84944			2	Nut, 3/8"
55		37836			2	Spacer
		88428			2	Screw, Cap, HH, G5, 3/8" x 2-3/4"
		80680			2	Washer, Lock, 3/8"
		84944			2	Nut, 3/8"
56		783455		e	1	Pick-Up Disc Weld Assy., Replaces 694939 & 770477
		784543		f	1	Pick-Up Disc Weld Assy.
		280620			1	Screw, Cap, HH, G8, 1/2" x 3"
		88871			1	Nut, Lock, GC, 1/2"
57		676951		g	1	Link, R.H.
		304800-S36			1	Screw, Cap, HH, G5, 1/2" x 1-3/4", Replaces 88551
		87364			4	Washer, 1/2", SAE
		80679			1	Washer, Lock, 1/2"
		280431			1	Nut, 1/2"

e - Used On & BSN 696374.

f - Used On & ASN 696375.

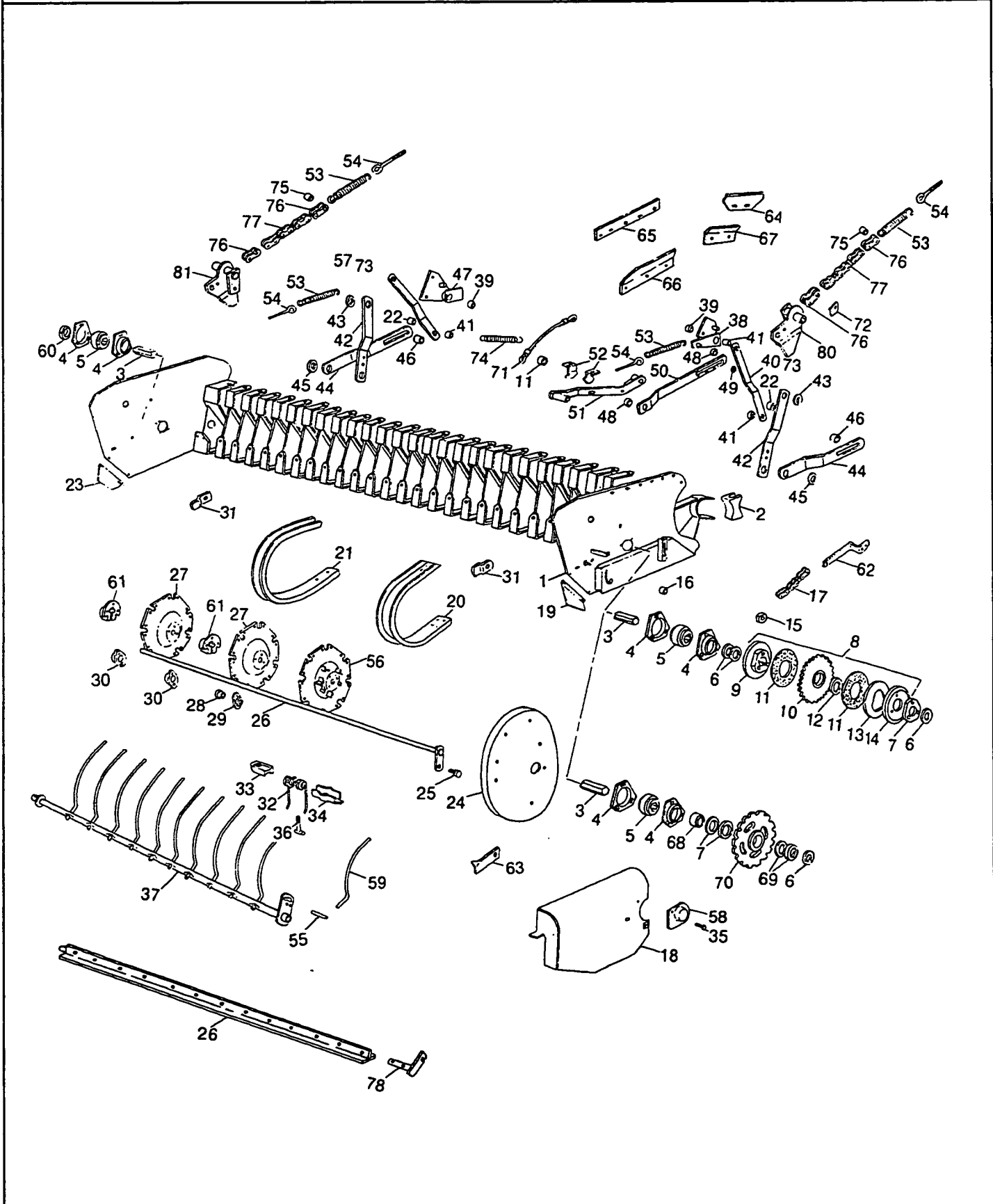
g - Used On & BSN 706837.

h - Used On & ASN 706838.

AR - As Required

MODEL 855 ROUND BALER

FIG. 12 - PICK-UP GROUP



MODEL 855 ROUND BALER

FIG. 12 - PICK-UP GROUP

REF	FN	PART NUMBER	FINIS	YR/SN	QTY	DESCRIPTION
58		696059			1	Shield
59	(1)	677811			10	Finger, Windguard
		88902			10	Nut, Lock, GC, 3/8"
60		765641		f	1	Collar
61	(2)	9610786		f/j	2	Clamp, Replaces 695418
		87972		k	1	Clamp
		88871		j/k	2/1	Screw, Cap, HH, G5, 1/2" x 2-1/2"
				j/k	2/1	Nut, Lock, GC, 1/2"
62		770195		f	1	Bracket
		690341			2	Screw, Thread-Forming, 5/16" x 5/8"
63		773360		f	1	Cover
64		781211		f	1	Seal
65		785820		f	1	Seal
66		785821		f	1	Angle
		NS			5	Rivet, 3/16" x 9/16"
67		785822		f	1	Angle
		NS			2	Rivet, 3/16" x 9/16"
68		675652		f	1	Spacer
69		9800957		f	AR	Washer, Replaces 33112
70		768988		f	1	Sprocket, 22T
71		849524		h	1	Wire Rope
		88428			1	Screw, Cap, HH, G5, 3/8" x 1-3/4"
		80702			3	Washer, 3/8"
		87365			2	Washer, 5/8", SAE
		80680			1	Washer, Lock, 3/8"
		84944			1	Nut, 3/8"
		87398			1	Pin, Cotter, 3/16" x 1-1/4"
72		848295		h	1	Stop
		87689			1	Screw, Cap, HH, G5, 1/2" x 1-1/2"
		80679			1	Washer, Lock, 1/2"
73		846646		h	2	Strap
		58851-S36			2	Bolt, Carriage, G5, 1/2" x 1-1/4", Replaces 88707
		87364			2	Washer, 1/2", SAE
		88871			2	Nut, Lock, GC, 1/2"

(1) - Component of Windguard Finger Bundle.

(2) - Clamp P/N 695418 is now Replaced by Complete Pick-Up Disc Weld Assembly P/N 9610786, Pg., Ref. 27, P/N 695418 Will No Longer be Available.

f - Used On & ASN 696375.

h - Used On & ASN 706838.

j - Used On & BSN 733139.

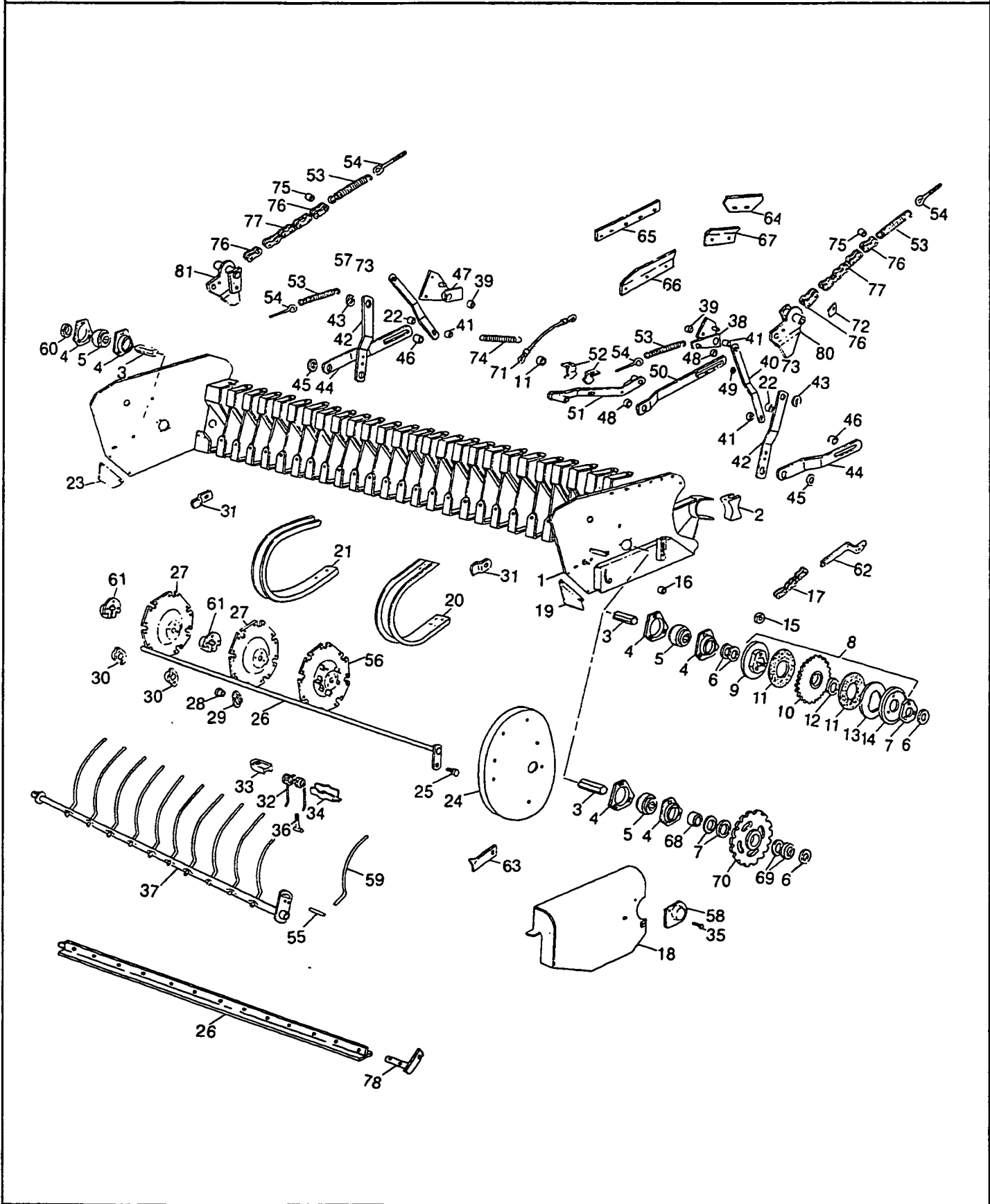
k - Used On & ASN 733140

AR - As Required

NS - Not Serviced

MODEL 855 ROUND BALER

FIG. 12 - PICK-UP GROUP



MODEL 855 ROUND BALER

FIG. 12 - PICK-UP GROUP

REF	FN	PART NUMBER	FINIS	YR/SN	QTY	DESCRIPTION
74		38668		h	1	Spring
75		9614982		h	2	Spacer, Replaces 846637
76		25193		h	4	Link, Coupler
77		846651		h	2	Extension, Chain Assy.
78		9806726			5	Arm Weld Assy., Replaces 788850
		648373		j	15	Screw, Lock, 3/8" x 1-1/2" USR
		9618968		k	5	Washer, PL, H.T.
		9618968		k	5	Washer, PL, H.T.
		247780		k	5	Nut, Flange, USR
		88546		k	5	Screw, Cap, HH, G5, Plated, .38 x 2.25
80		798904		h	1	Plate Weld Assy., L.H. Includes: (1) Ref. 39
81		798903		h	1	Plate Weld Assy., R.H. Includes: (1) Ref. 39
		87414			1	Fitting, Lube, 1/4"-28

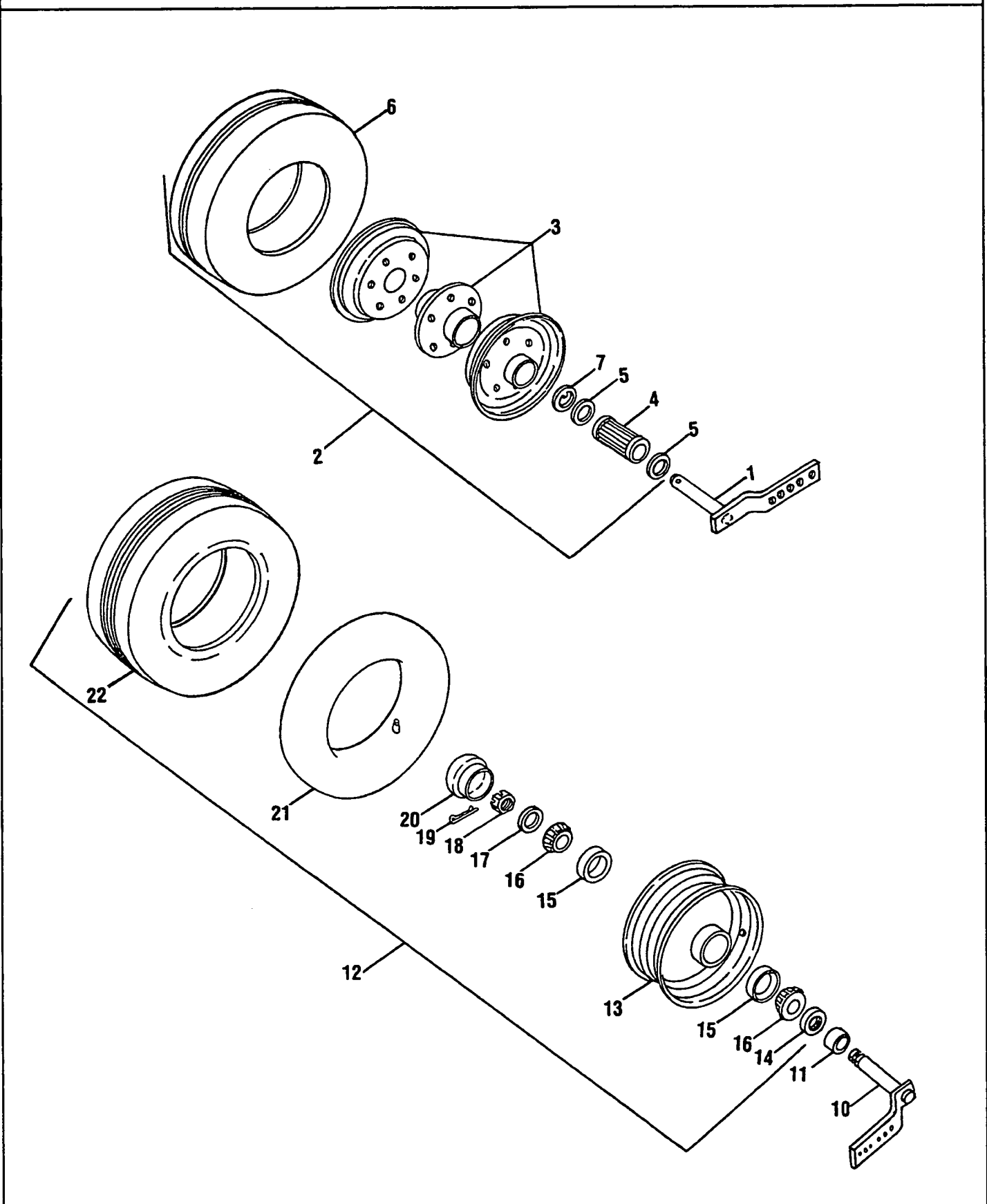
h - Used On & ASN 706838.

j - Used On & BSN 733139.

k - Used On & ASN 733140.

MODEL 855 ROUND BALER

FIG. 13 - PICK-UP WHEEL GROUP



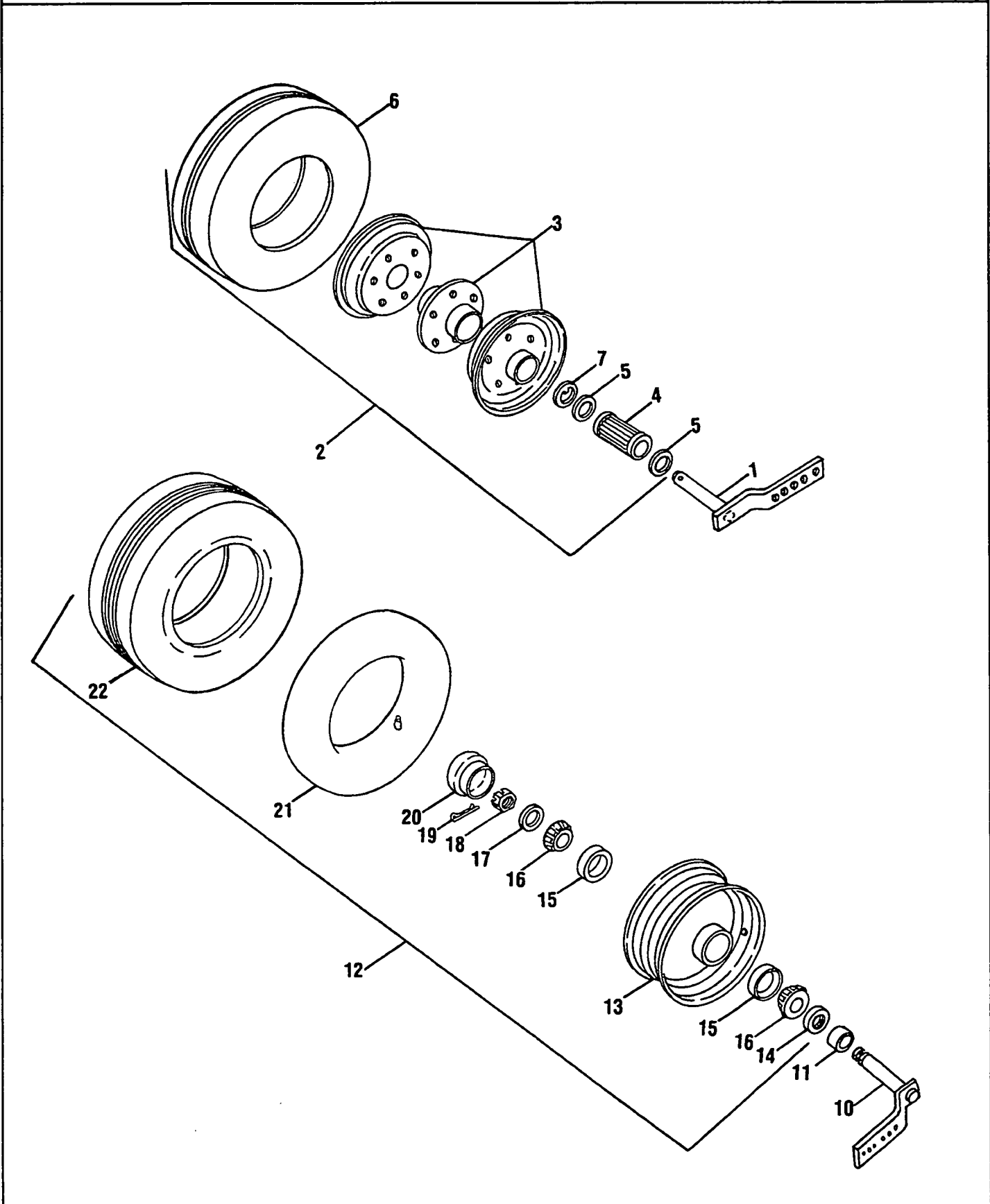
MODEL 855 ROUND BALER

FIG. 13 - PICK-UP WHEEL GROUP

REF	FN	PART NUMBER	FINIS	YR/SN	QTY	DESCRIPTION
						Pick-Up Wheel Attachment, 3.00 x 12 Includes: Ref. 1 & 2
1		847875			2	Bracket Weld Assy., Replaces 263559 & 617080
		304800-S36			2	Screw, Cap, HH, G5, 1/2" x 1-3/4", Replaces 88551
		88530			2	Bolt, Carriage, G5, 1/2" x 1-3/4"
		80679			4	Washer, Lock, 1/2"
		280431			4	Nut, G5, 1/2"
2		134021			2	Wheel Assy., W/Tire Includes: Ref. 3 & 6
		84239			4	Washer, 3/4"
		87398			2	Pin, Cotter, 3/16" x 1-1/4"
3		134020			2	Wheel Assy., W/O Tire Includes: Ref. 4 & 5
		56867			2	Washer, Special
		87398			2	Pin, Cotter, 3/16" x 1-1/4"
		84239			2	Washer, 3/4"
4		134018			2	Bearing, Roller
5		134019			4	Washer, Seal
6		127561			2	Tire, 3.00 x 12 Extra Heavy Duty, Semi-Pneumatic Rib Tread, Zero Pressure
7		41261			2	Washer, Notched
						Items Not Illustrated
		280158			12	Screw, Cap, HH, 1/4" x 1-1/4" NF (Fasten Rims to Hub)
		87227			12	Screw, Cap, HH, 1/4" x 1/2" NF (Fasten Rim Halves Together)
		80682			24	Washer, Lock, 1/4"
		84949			24	Nut, 1/4" NF

MODEL 855 ROUND BALER

FIG. 13 - PICK-UP WHEEL GROUP



MODEL 855 ROUND BALER

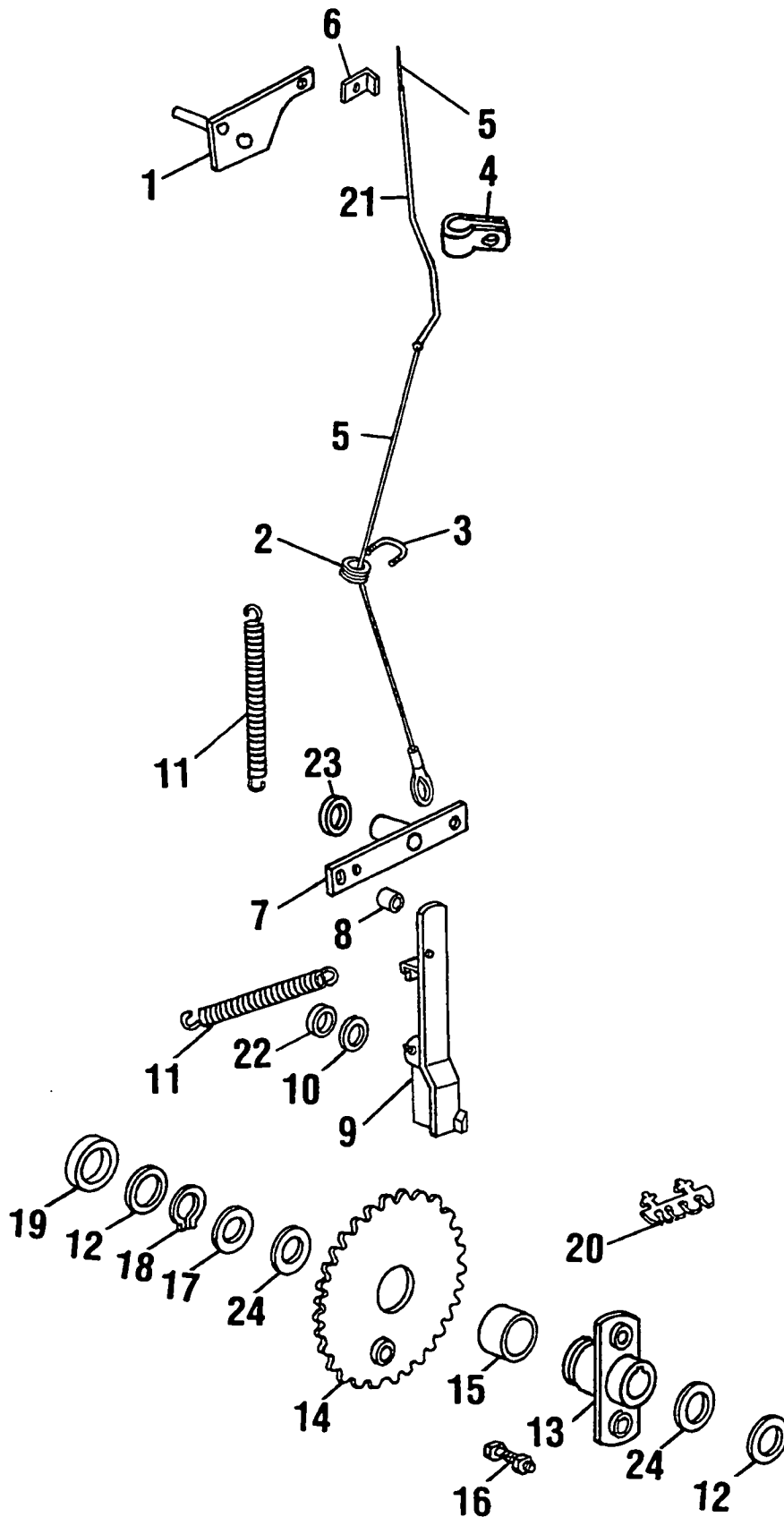
FIG. 13 - PICK-UP WHEEL GROUP

REF	FN	PART NUMBER	FINIS	YR/SN	QTY	DESCRIPTION
						Flotation Tire And Wheel Group
						Pick-Up Wheel Attachment 4.00 x 8 Includes: Ref. 11 & 22
10		847876			2	Support Weld Assy., Replaces 617801
		304800-S36			2	Screw, Cap, HH, G5, 1/2" x 1-3/4", Replaces 88551
		88530			2	Bolt, Carriage, G5, 1/2" x 1-3/4"
		80679			4	Washer, Lock, 1/2"
		280431			4	Nut, G5, 1/2"
11		714411			2	Collar
12		696641			2	Wheel Assy., W/Tire Includes: Ref. 13 thru 16 & 20 thru 22
13		136377			2	Wheel Assy.
14		136376			2	Seal, Oil
15		132709			4	Cup, Tapered Roller Bearing
16		132710			4	Cone, Tapered Roller Bearing
17		26301			2	Washer, Special
18		603373			2	Nut, Hex, Slotted, 1", NF
19		87398			2	Pin, Cotter, 3/16" x 1-1/4"
20		200734			2	Cap, Hub
21		PL			2	Tube, Inner, 4.00 x 8
22		136378			2	Tire, Grooved, 1-1, 4 Ply, 4.00 x 8

PL - Purchase Locally

MODEL 855 ROUND BALER

FIG. 14 - OVERFILL PROTECTION GROUP USED ON & BSN 745548



MODEL 855 ROUND BALER

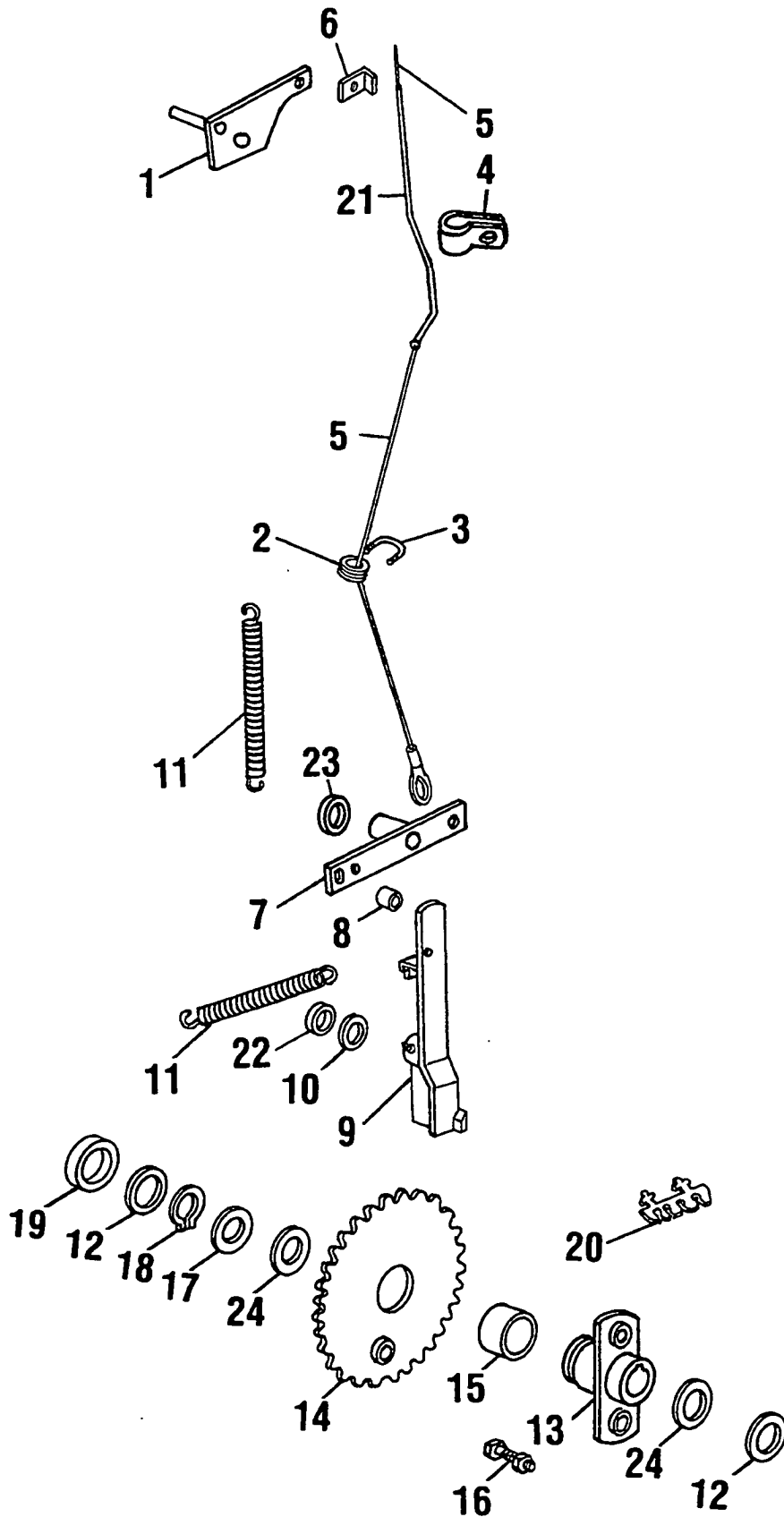
FIG. 14 - OVERFILL PROTECTION GROUP
USED ON & BSN 745548

REF	FN	PART NUMBER	FINIS	YR/SN	QTY	DESCRIPTION
1		693039			1	Trip Weld Assy.
		87414			1	Fitting, Lube, 1/4"-28
		87364			1	Washer, 1/2", SAE
		87397			1	Pin, Cotter, 3/16" x 1"
2		28110			1	Guide, Twine
3		28114			1	U-Bolt
		80684			2	Washer, Lock, #10
		87304			2	Nut, #10
4		229373			2	Clamp
		280327			1	Bolt, Carriage, G5, 3/16" x 3/4"
		145458			1	Nut, Lock, 5/16" UCR
5		799974			1	Cable, Control, Replaces 763370
		88011			1	Screw, Cap, HH, G5, 3/8" x 1-1/4"
		80702			1	Washer, 3/8"
		88902			1	Nut, Lock, GC, 3/8"
6		762686			1	Clamp
		88206			1	Screw, Cap, HH, G5, 3/8" x 1"
		80702			1	Washer, 3/8"
		9827956			1	Washer, Replaces 602590
		88902			1	Nut, Lock, GC, 3/8"
7		693037			1	Flat Weld Assy.
		87408			1	Fitting, Lube, 1/4"-28, Short
		87364			1	Washer, 1/2", SAE
		80756			1	Pin, Cotter, 1/8" x 3/4"
8		141979			1	Spacer
		88011			1	Screw, Cap, HH, G5, 3/8" x 1-1/4"
		247780			1	Nut, Lock, 3/8" USR
9		693034			1	Arm Weld Assy.
		87414			1	Fitting, Lube, 1/4"-28
		80754			1	Pin, Cotter, 3/16" x 1-1/2"
10		26402			AR	Washer
11		38668			2	Spring

AR - As Required

MODEL 855 ROUND BALER

FIG. 14 - OVERFILL PROTECTION GROUP USED ON & BSN 745548



MODEL 855 ROUND BALER

FIG. 14 - OVERFILL PROTECTION GROUP
USED ON & BSN 745548

REF	FN	PART NUMBER	FINIS	YR/SN	QTY	DESCRIPTION
12		130357			AR	Washer
13		766198		m	1	Drive Hub Weld Assy.
		847012		n	1	Drive Hub Weld Assy.
		84241			1	Key, Woodruff, 5/16" x 1-1/4"
		87399			1	Pin, Cotter, 3/16" x 1-1/4"
14		769381		m	1	Sprocket Weld Assy., 19T, Replaces 766199
		847011		n	1	Sprocket Weld Assy., 19T
15		46962			1	Bushing
16		46520			5	Shearbolt Assy.
17		67517			AR	Spacer
18		27503			1	Ring, Retaining
19		28259			1	Washer
20		52367			1	Holder, Shearbolt
21		762735			1	Guide, Cable
22		26129			AR	Washer
23		781849			1	Spacer
24		110400			AR	Washer

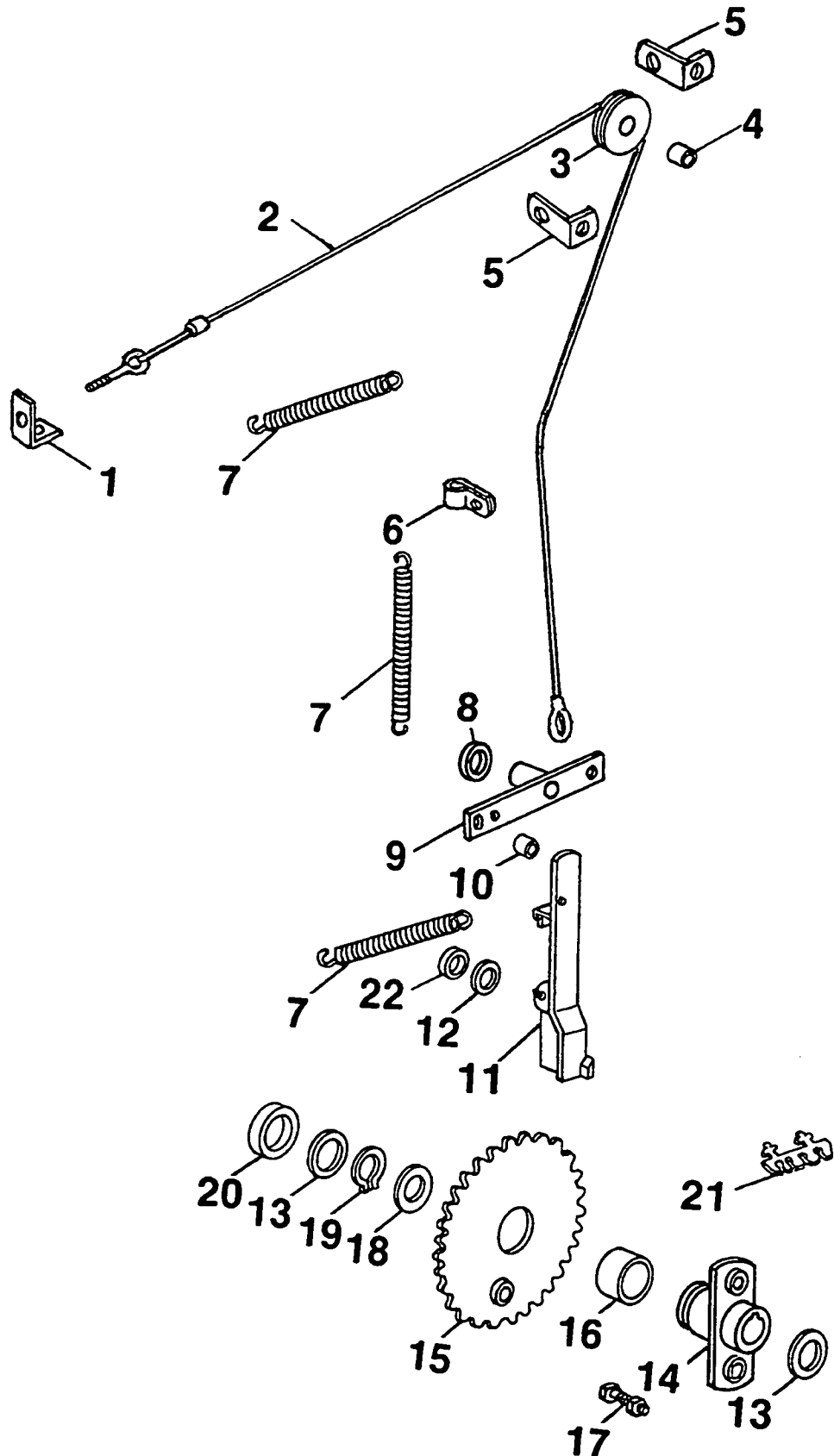
m - Used On & BSN 707585

n - Used On & ASN 707586

AR - As Required

MODEL 855 ROUND BALER

FIG. 15 - OVERFILL PROTECTION GROUP USED ON & ASN 745549



MODEL 855 ROUND BALER

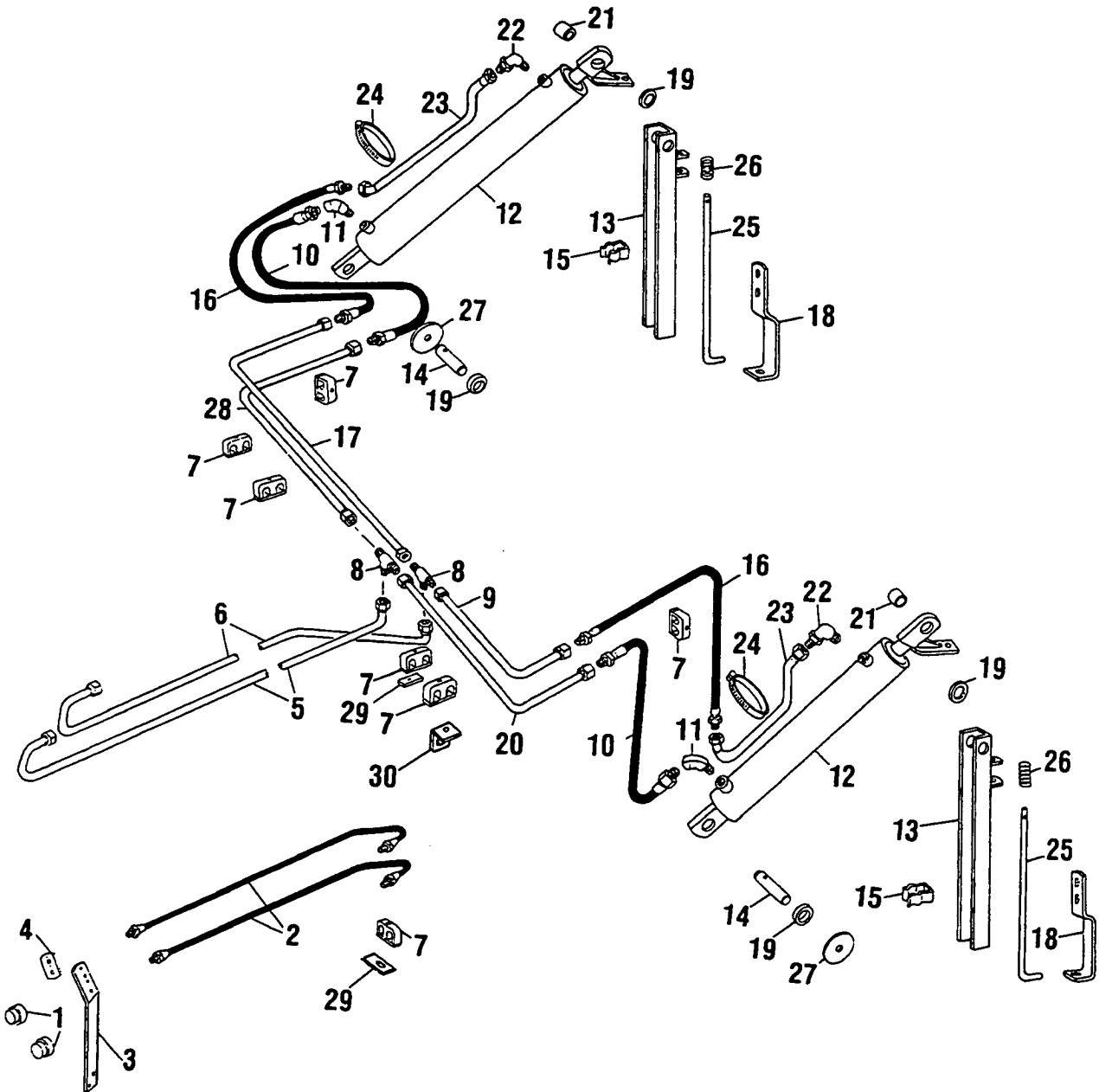
FIG. 15 - OVERFILL PROTECTION GROUP
USED ON & ASN 745549

REF	FN	PART NUMBER	FINIS	YR/SN	QTY	DESCRIPTION
1		852188			1	Angle
		11555			1	Bushing, Spacer
		87364			AR	Washer, 1/2" SAE
		304720-S36			1	Screw, Cap, HH, G5, 5/16" x 1-1/4", Replaces 87657
		80664			1	Washer, 5/16"
		34791-S36			1	Washer, Lock, 5/16", Replaces 80681
		84943			1	Nut, 5/16"
2		852189			1	Cable Assy.
		226223			1	Bolt, Eye
		84943			2	Nut, 5/16"
3		697870			1	Pulley
		304760-S36			1	Screw, Cap, HH, G5, 1/4" x 3/4", Replaces 88044
		80702			1	Washer, 3/8"
		80680			1	Washer, Lock, 3/8"
		84944			1	Nut, 3/8"
4		141979			1	Spacer
5		47306			2	Guard, Sheave
6		237980			1	Clamp
		88946			1	Screw, Self-Tapping, GB, HH, 1/4" x 3/4"
7		38668			3	Spring
8		781849			1	Spacer
9		693037			1	Flat Weld Assy.
		87408			1	Fitting, Lube, 1/4"-28, Short
		87364			1	Washer, 1/2" SAE
		80756			1	Pin, Cotter, 1/8" x 3/4"
10		141979			1	Spacer
		88011			1	Screw, Cap, HH, G5, 3/8" x 1-1/4"
		247780			1	Nut, Lock, 3/8" USR
11		693034			1	Arm Weld Assy.
		87414			1	Fitting, Lube, 1/4"-28
		80754			1	Pin, Cotter, 3/16" x 1-1/2"
12		26402			AR	Washer
13		110400			AR	Washer
14		847012			1	Drive Hub Weld Assy.
		84241			1	Key, Woodruff, 5/16" x 1-1/4"
		87399			1	Pin, Cotter, 3/16" x 1-1/4"
15		847011			1	Sprocket Weld Assy. Includes: Ref. 16
16		46962			1	Bushing
17		46520			5	Shearbolt
		280129			5	Nut, Lock, GC, 1/4"
18		67517			AR	Spacer
19		27503			1	Ring, Retaining
20		28259			1	Washer
21		52367			1	Holder, Shearbolt
22		26129			AR	Washer

AR - As Required

MODEL 855 ROUND BALER

FIG. 16 - HYDRAULIC SYSTEM



MODEL 855 ROUND BALER

FIG. 16 - HYDRAULIC SYSTEM

REF	FN	PART NUMBER	FINIS	YR/SN	QTY	DESCRIPTION
1		796216			2	Cap, Replaces 116070
2		602016			2	Hose Assy., 74" (1880mm) Long
3		765009			1	Strap, Replaces 613821
		255918			2	Screw, Lock, 3/8" x 3/4" USR
4		613650			1	Clamp, Hose
		280112			2	Screw, Cap, HH, G5, 1/4" x 1-1/2"
		280129			2	Nut, Lock, GC, 1/4"
5		NS			1	Tube Assy., 3/8" OD, R.H.
		514929			2	Ferrule, Tube, 3/8"
		514926			2	Nut, Tube, 3/8"
6		NS			1	Tube Assy., 3/8" OD, L.H.
		514929			2	Ferrule, Tube, 3/8"
		514926			2	Nut, Tube, 3/8"
7		604896			8	Clamp, Double
		87716			4	Screw, Cap, HH, G5, 1/4" x 1-1/4"
		280112			4	Screw, Cap, HH, G5, 1/4" x 1-1/2"
		87016			3	Washer, 1/4" SAE
		523282			3	Nut, Lock, USR, 1/4"
8		714915			2	Tee, Union
9		NS			1	Tube Assy., Upper, 3/8" OD, L.H.
		514929			2	Ferrule, Tube, 3/8"
		514926			2	Nut, Tube, 3/8"
10		648224			2	Hose Assy., 28" (711mm) Long
11		128109			2	Elbow, Street, 45°
12		785810			2	Cylinder Assy. (Refer to Separate Breakdown)
		87399			2	Pin, Cotter, 3/16" x 1-3/4", Replaces 596022
13		639454			2	Lockout Weld Assy.
14		634408			2	Pin
		87399			4	Pin, Cotter, 3/16" x 1-3/4"
15		640576			2	Clip, Spring
16		648223			2	Hose Assy., 30" (762mm) Long
17		NS			1	Tube Assy., Upper, 3/8" OD, R.H.
		514929			2	Ferrule, Tube, 3/8"
		514926			2	Nut, Tube, 3/8"
18		690462			2	Handle
		145913			4	Screw, Lock, 5/16" x 3/4" USR
		145458			4	Nut, Lock, 5/16" USR
19		87367			18	Washer, 1" SAE
20		NS			1	Tube Assy., Lower, 3/8" OD, L.H.
		514929			2	Ferrule, Tube, 3/8"
		514926			2	Nut, Tube, 3/8"
21		610320			2	Spacer
22		707859			2	Elbow, Male, 90°
23		NS			2	Tube Assy., 3/8" OD
		514929			4	Ferrule, Tube, 3/8"
		514926			4	Nut, Tube, 3/8"

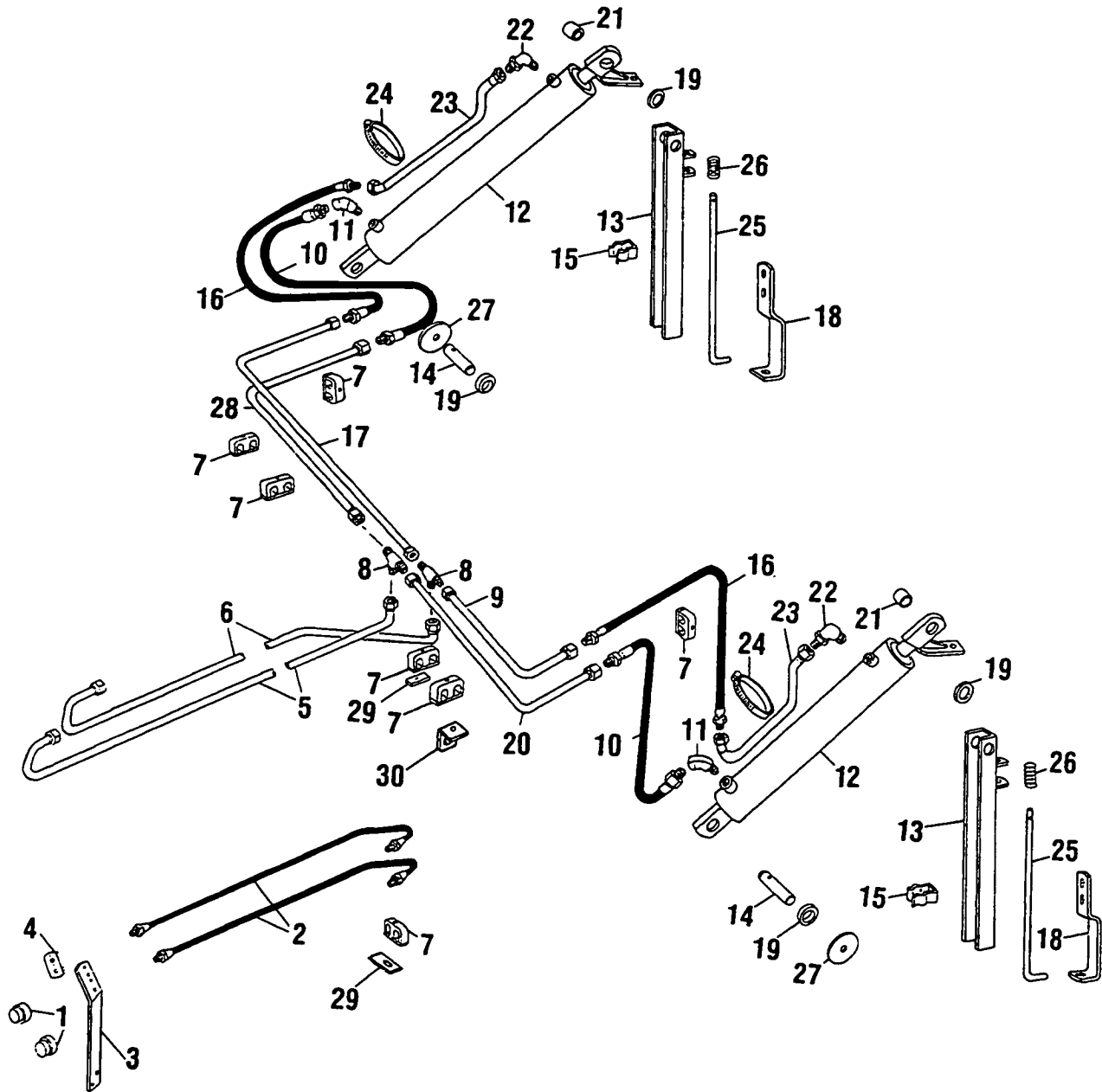
a - Used On & BSN 806178.

b - Used On & ASN 806179.

NS - Not Serviced

MODEL 855 ROUND BALER

FIG. 16 - HYDRAULIC SYSTEM



MODEL 855 ROUND BALER

FIG. 16 - HYDRAULIC SYSTEM

REF	FN	PART NUMBER	FINIS	YR/SN	QTY	DESCRIPTION
24		529070		a	2	Band, Plastic, Replaces 58880
		58880		b	2	Clamp, Hose
25		797875			2	Rod, Replaces 690461
26		25459			2	Spring
		280250			2	Pin, Cotter, 3/32" x 3/4"
		87016			2	Washer, 3/8" SAE
27		695951			2	Washer
28		NS			1	Tube Assy., Lower, 3/8" OD, R.H.
		514929			2	Ferrule, Tube, 3/8"
		514926			2	Nut, Tube, 3/8"
29		613122			2	Tab
30		702603			1	Angle

a - Used On & BSN 806178

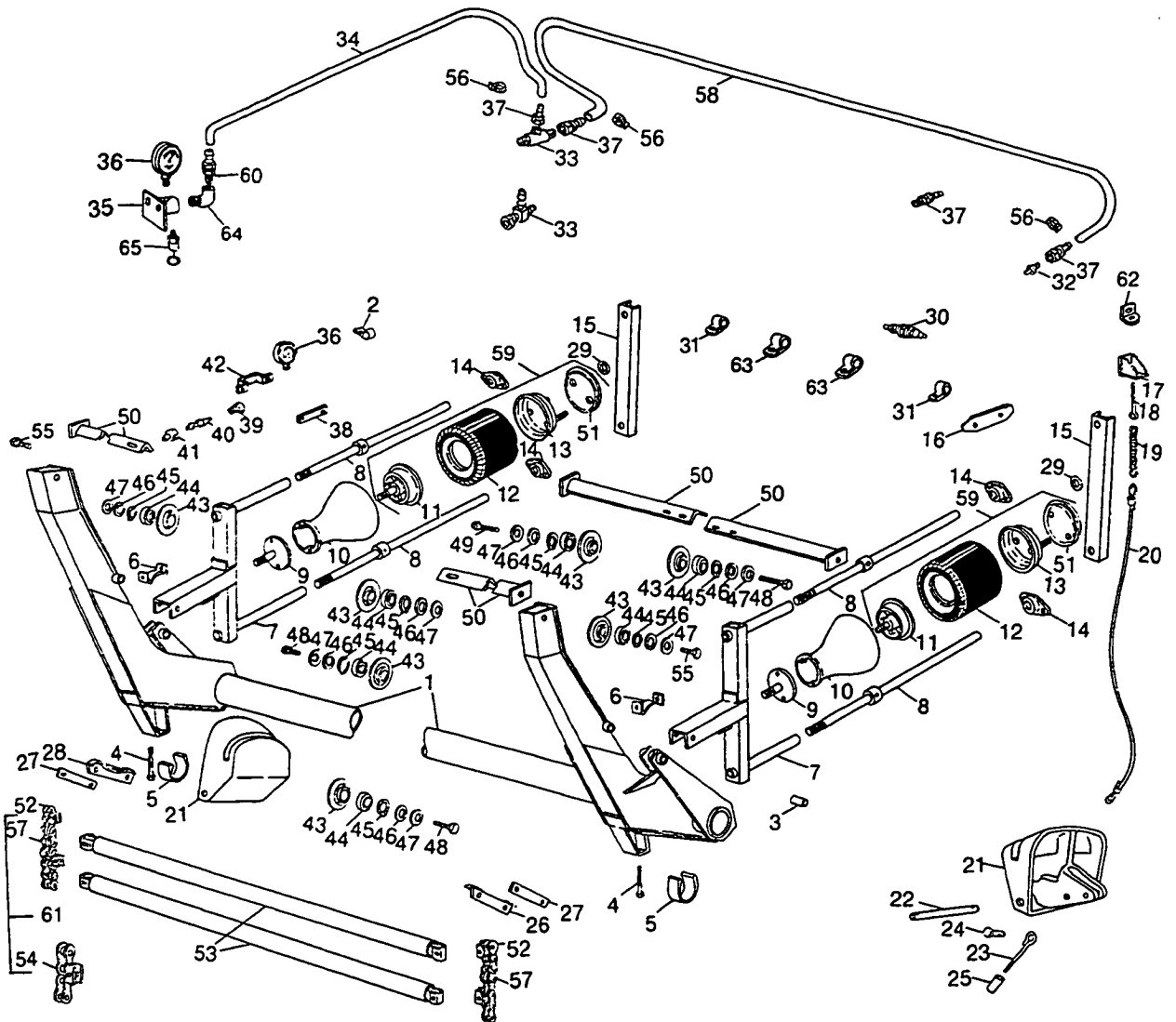
b - Used On & ASN 806179

NSNot

NS - Not Serviced

MODEL 855 ROUND BALER

FIG. 17 - UPPER APRON GROUP



MODEL 855 ROUND BALER

FIG. 17 - UPPER APRON GROUP

REF	FN	PART NUMBER	FINIS	YR/SN	QTY	DESCRIPTION
1		854152			1	Take-Up Arm Weld Assy., Replaces 639979 Includes: Ref. 2
		87408			1	Fitting, Lube, 1/4"-28, Short
		304944-S36			2	Screw, Cap, HH, G5, 5/8" x 3-1/2", Replaces 280119
		781316			4	Washer, Special
		84910			2	Nut, Lock, GC, 5/8"
2		134578			AR	Clamp
3		699985			2	Spacer
4		280496			2	Bolt, Hex, Full Threads, G5, 5/8" x 4-1/2"
		280374			2	Nut, 5/8", Replaces 84947
5		639653			2	Bearing
6		639652			2	Cap
		88011			4	Screw, Cap, HH, G5, 3/8" x 1-1/4"
		9827956			6	Washer, Replaces 602590
		80680			4	Washer, Lock, 3/8"
		84944			2	Nut, 3/8"
7		678052			2	Mount Weld Assy.
8		685135			4	Rod Weld Assy.
		87341			4	Washer, Lock, 7/8"
		280126			4	Nut, 7/8"
9		688579		j	2	Retainer Weld Assy.
		850097		k	2	Retainer Weld Assy.
		87340			2	Washer, Lock, 3/4"
		280954			2	Nut, G5, 3/4"
10	(1)	695770			2	Piston, Replaces 687560
		304726-S36			4	Screw, Cap, HH, G5, 1/2" x 1-1/4", Replaces 87670
		80679			4	Washer, Lock, 1/2"
11		688757			2	Retainer, Lower
		280375			2	Nut, Lock, GB, 3/4"
12		NSS			2	Bag, Air (Refer to Ref #59)
13		688756			2	Retainer, Upper
		65319			2	Washer, Special
		280431			2	Nut, 1/2"
		87312			2	Nut, 3/4" UNF
14		682452			4	Bearing
		280327			8	Bolt, Carriage, G5, 5/16" x 3/4"
		145458			8	Nut, Lock, 5/16" USR
15		685136			2	Channel
		255918			4	Screw, Lock, 3/8" x 3/4" USR

(1) - Do Not Mix Old Style W/New Style Pistons. Old Style Piston P/N 687560 is No Longer Available and is Now Replaced W/ the New Style Part Number 695770. When One Old Style Piston Needs Replacing, Two New Style Pistons Need to be Ordered.

j - Used On & BSN 733139.

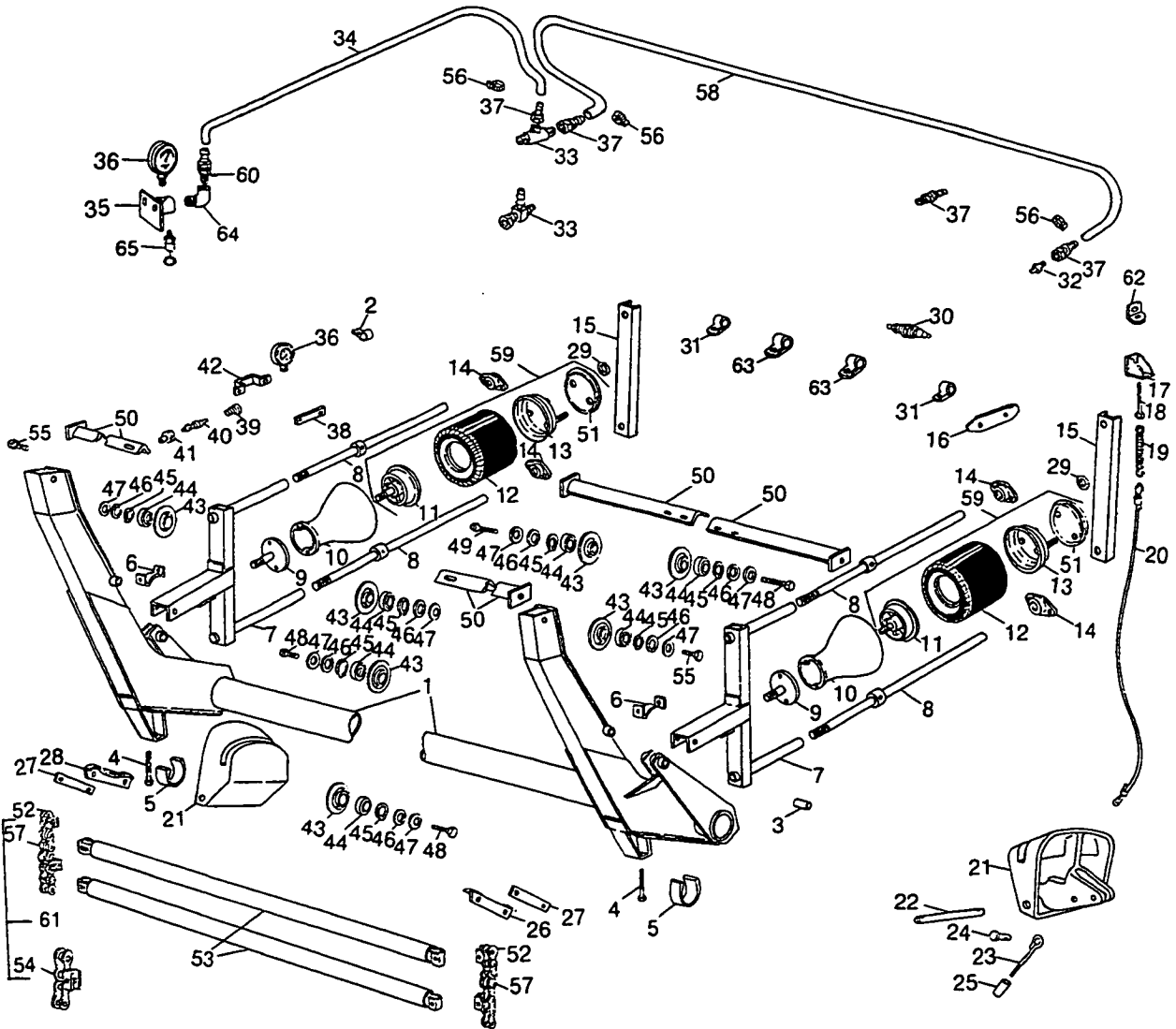
k - Used On & ASN 733140.

AR - As Required

NSS - Not Serviced Separately

MODEL 855 ROUND BALER

FIG. 17 - UPPER APRON GROUP



MODEL 855 ROUND BALER

FIG. 17 - UPPER APRON GROUP

REF	FN	PART NUMBER	FINIS	YR/SN	QTY	DESCRIPTION
16		641190			2	Guide
		88011			4	Screw, Cap, HH, G5, 3/8" x 1-1/4"
		80702			4	Washer, 3/8"
		88902			4	Nut, Lock, GC, 3/8"
17		691782		j	2	Channel Weld Assy.
18		25667		j	2	Bolt, Eye
		9827956			2	Washer, Replaces 602590
		84944			4	Nut, 3/8"
19		0012			2	Spring
20		692902		j	2	Cable
		792025		k	2	Cable
		88206			2	Screw, Cap, HH, G5, 3/8" x 1"
		88546			2	Screw, Cap, HH, G5, 3/8" x 2-1/4"
		80702			4	Washer, 3/8"
		88902			AR	Nut, Lock, GC, 3/8"
21		691652			2	Cam, Core
22		634233			2	Rod, Hinge
		87365			AR	Washer, 5/8" SAE
		87398			4	Pin, Cotter, 3/16" x 1-1/4"
23		692901			2	Bolt, Eye
		143479			2	Washer, Special
		280431			8	Nut, 1/2"
24		28383			2	Pin, Clevis
		87364			2	Washer, 1/2" SAE
		80755			2	Pin, Cotter, 1/8" x 1"
25		692903			2	Spacer
26		691733		g	1	Guide Weld Assy., L.H.
		798849		h	1	Guide Weld Assy., L.H.
		88206		g	2	Screw, Cap, HH, G5, 3/8" x 1"
		87909		h	2	Screw, Cap, HH, G5, 1/2" x 1"
		80702		g	2	Washer, 3/8"
		65319		h	2	Washer
		80680		g	2	Washer, Lock, 3/8"

g - Used On & BSN 706837.

h - Used On & ASN 706838.

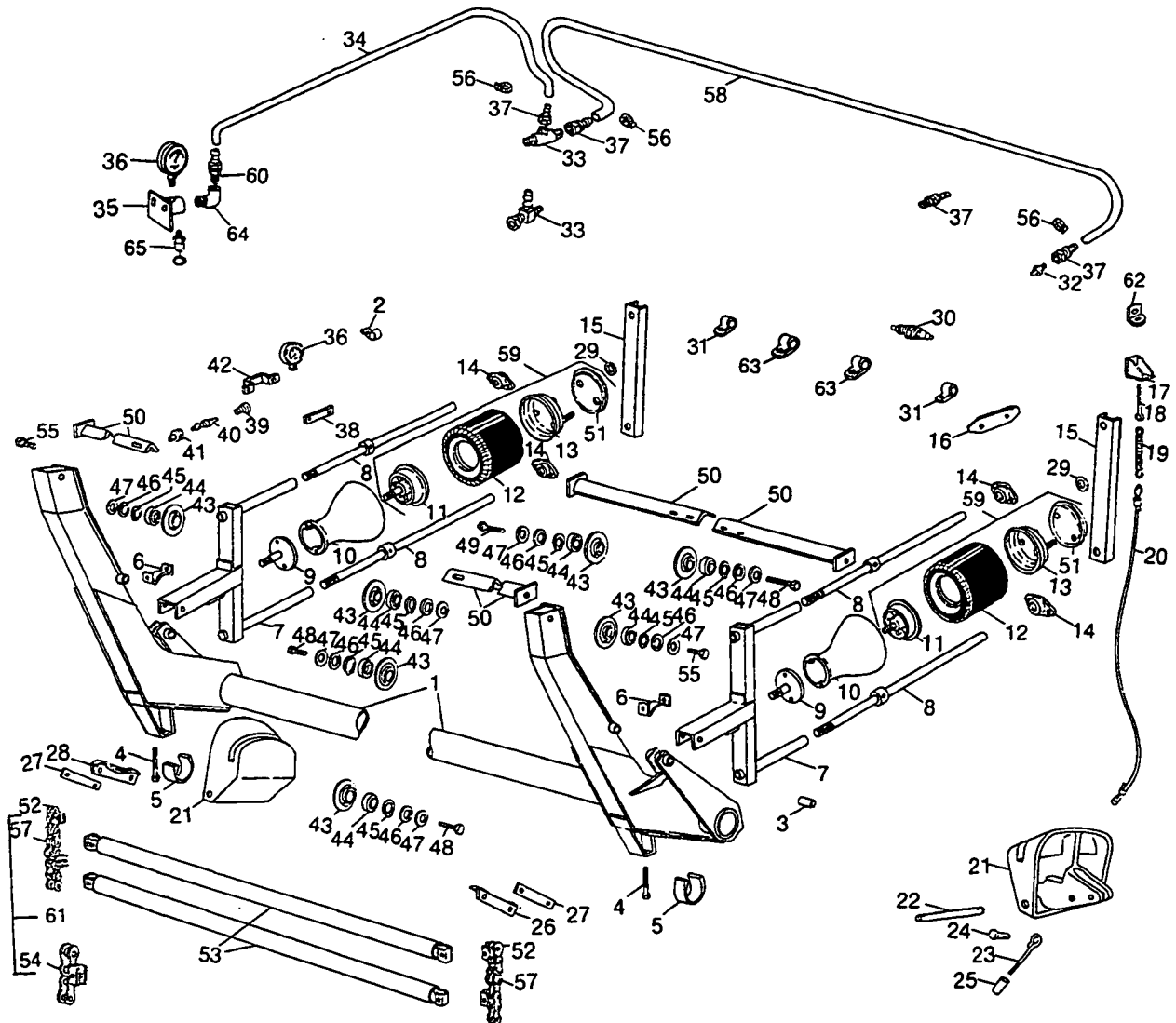
j - Used On & BSN 733139.

k - Used On & ASN 733140.

AR - As Required

MODEL 855 ROUND BALER

FIG. 17 - UPPER APRON GROUP



MODEL 855 ROUND BALER

FIG. 17 - UPPER APRON GROUP

REF	FN	PART NUMBER	FINIS	YR/SN	QTY	DESCRIPTION
27		691736		g	AR	Spacer
		796381		h	AR	Spacer
28		691732		g	1	Guide Weld Assy., R.H.
		798848		h	1	Guide Weld Assy., R.H.
		88206		g	2	Screw, Cap, HH, G5, 3/8" x 1"
		87909		h	2	Screw, Cap, HH, G5, 1/2" x 1"
		80702		g	2	Washer, 3/8"
		65319		h	2	Washer
		80680		g	2	Washer, Lock, 3/8"
29		56867			2	Washer
30		764753			AR	Fitting, Connector
31		134579		g	7	Clamp
		675162		h	7	Clamp
		690341		g/h	6/8	Screw, Lock, Thread Forming, 5/16" x 5/8" USR
32	(3)	76826		o/p	2/1	Connector, Male
		787760		h	1	Connector, Male
33	(2)	767844		g	1	Tee, Replaces 764757
		787762		h	1	Tee
34		792417		g	1	Hose Assy., Replaces 764750 and 764752
		787763		h	1	Hose Assy.
35	(4)	9601465			1	Tee, Bulkhead, Replaces 764754 & 792418
		87872			2	Screw, Cap, HH, G5, 5/16" x 3/4"
		145458			2	Nut, Lock, 5/16" USR
36		678790			1	Gauge, Pressure
37	(3)	764755		o/p	2/1	Pipe Fitting
38		764308			1	Pad
39		512536			1	Fitting
40		763467			1	Core
41		NS			1	Cap, Valve
42		764307			1	Clamp
		713155			2	Screw, Lock, 5/16" x 1" USR
		145458			2	Nut, Lock, 5/16" USR
43		635060			8	Idler
44		701298			8	Bearing
45		268118			16	Ring, Retaining
46		679750			AR	Washer, Hardened
47		679574			AR	Washer, Hardened

(2) - When Replacing #764767 W/#767844 Order (2) #764755.

(3) - Used On & BSN 706837.

(4) - 9601465 Bulkhead Tee & 9601368 Relief Valve Replace 792418 Bulkhead Tee.

g - Used On & BSN 706837.

h - Used On & ASN 706838.

o - Used On & BSN 706444.

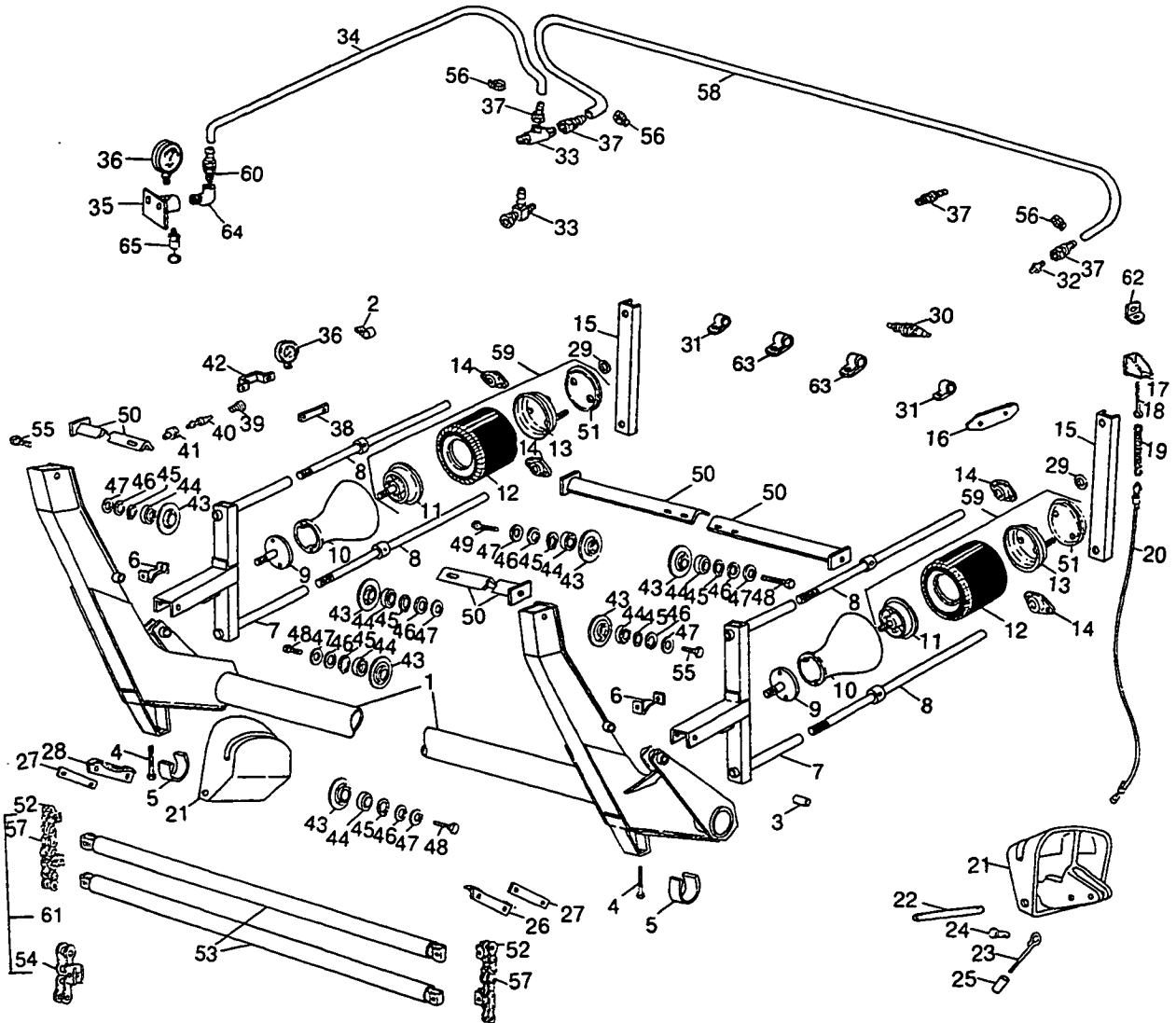
p - Used On & Between SN 706445 & 706837

AR - As Required

NS - Not Serviced

MODEL 855 ROUND BALER

FIG. 17 - UPPER APRON GROUP



MODEL 855 ROUND BALER

FIG. 17 - UPPER APRON GROUP

REF	FN	PART NUMBER	FINIS	YR/SN	QTY	DESCRIPTION
48		280223			4	Screw, Cap, HH, G5, 3/4" x 6-1/2"
		87340			6	Washer, Lock, 3/4"
		280954			4	Nut, G5, 3/4"
49		88945			2	Screw, Cap, HH, G5, 3/4" x 8"
		87340			2	Washer, Lock, 3/4"
		280954			2	Nut, G5, 3/4"
		84972			2	Nut, Jam, 3/4"
50		697840			4	Angle Weld Assy.
		280430			8	Bolt, Carriage, G5, 3/8" x 1"
		247780			8	Nut, Lock, 3/8" USR
51		787075			2	Plate, Clamping
52		781286		e	1	Chain Assy. (Matched Set of Side Chains) (Four Pitched Spacing), Replaces 698435
		786717		f	1	Chain Assy. (Matched Set of Side Chains) (Five Pitched Spacing)
53		786457		e/f	85/68	Tube Weld Assy., Replaces 638471
		280879		e	170	Bolt, Carriage, G5, 3/8" x 2"
				f	136	Bolt, Carriage, G5, 3/8" x 2"
		88902		e	170	Nut, Lock, GC, 3/8"
				f	136	Nut, Lock, GC, 3/8"
54		781293		e	AR	Repair Segment, RC100 Roller Chains (Four Pitch Spacing), Replaces 675967 Includes: (2) Roller Links & (1) Attachment Link
		786719		f	AR	Repair Segment, RC100 Roller Chains (Five Pitch Spacing) Includes: (2) Roller Links, (1) Attachment Link & One Offset Link
55		280316			2	Screw, Cap, HH, G5, 3/4" x 7"
56		574518			4	Clamp, Hose
57		769906			AR	Link, Connector, RC100
58		792416		g	1	Hose Assy., Replaces 764750 & 764752
		787763		h	AR	Tubing, Nylon, 1/4" OD x 10' Long, Cut to Length Required

e - Used On & BSN 696374.

f - Used On & ASN 696375.

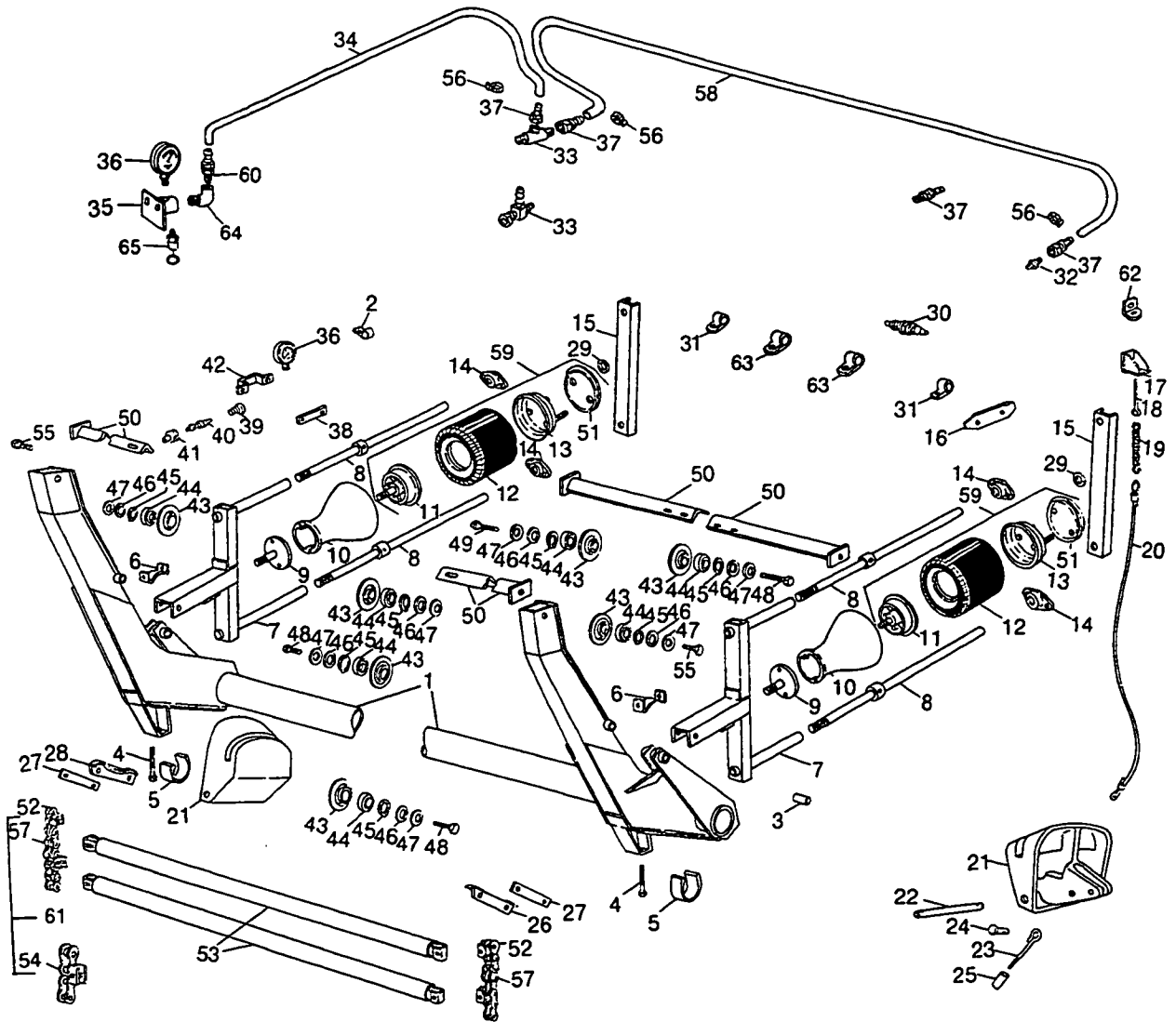
g - Used On & BSN 706837.

h - Used On & ASN 706838.

AR - As Required

MODEL 855 ROUND BALER

FIG. 17 - UPPER APRON GROUP



MODEL 855 ROUND BALER

FIG. 17 - UPPER APRON GROUP

REF	FN	PART NUMBER	FINIS	YR/SN	QTY	DESCRIPTION
59		857581			2	Air Bag Assy., Replaces 688758 & 797783 Includes: (1) each Ref. 11,12,13 & 51
60		792420		g	1	Fitting, Pipe
		787760		h	1	Fitting, Pipe
61		786718		f	AR	Kit, Apron Repair (Five Pitch Spacing) Includes: (2) Ref. 57 & (1) Ref. 54f
		783730		e	AR	Kit, Apron Repair (Four Pitch Spacing) Includes: (2) Ref. 57 & (1) Ref. 54e
62		796132		g	2	Angle
63		167509		h	2	Clamp
64		58771			1	Elbow, Street
65	(6)	9601368			1	Valve, Relief

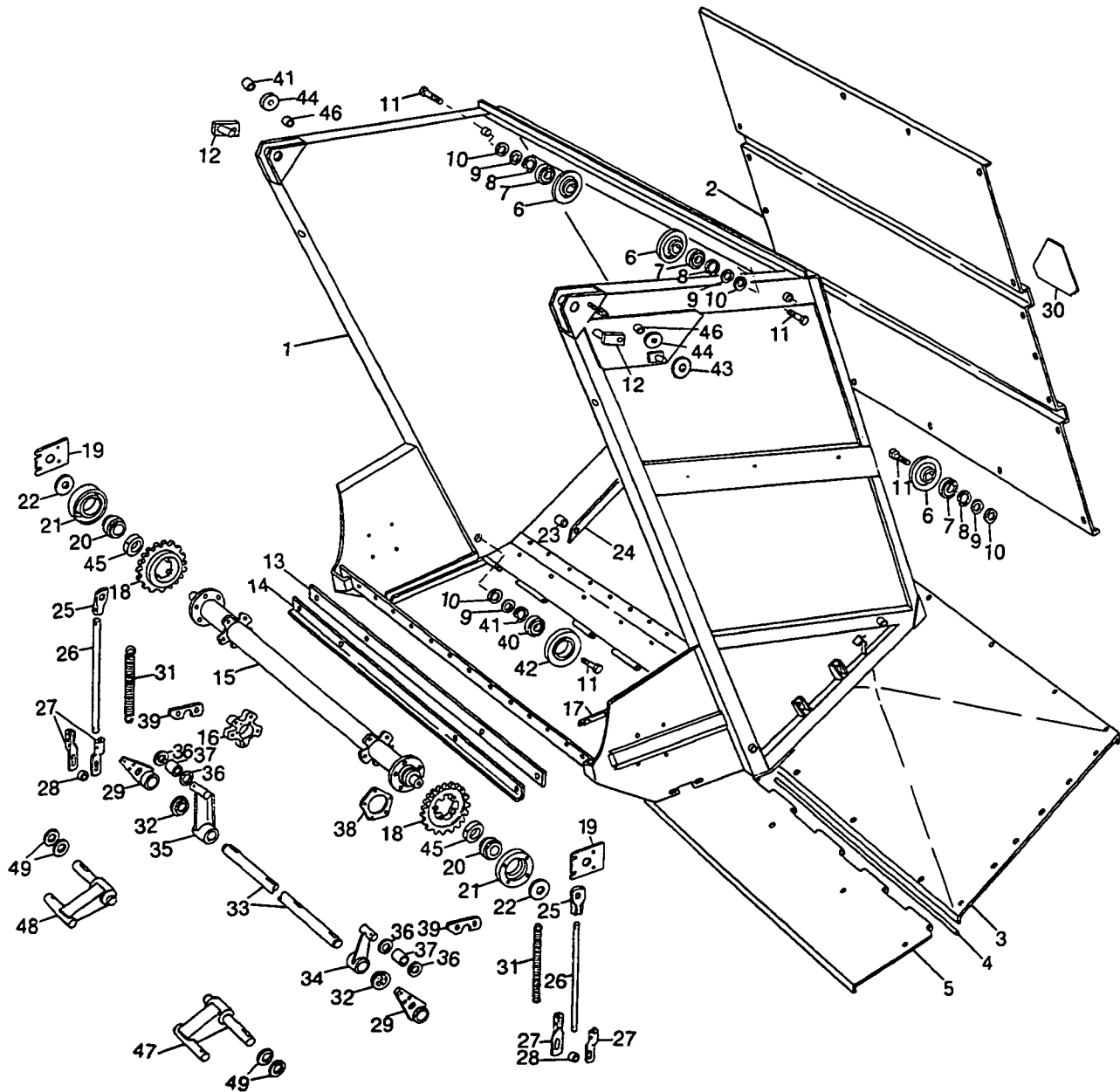
(6) - 9601368 Relief Valve & 9601465 Bulkhead Tee Replaces 792418 Bulkhead Tee.

e - Used On & BSN 696374.
 f - Used On & ASN 696375.
 g - Used On & BSN 706837.
 h - Used On & ASN 706838.

AR - As Required

MODEL 855 ROUND BALER

FIG. 18 - TAILGATE GROUP



MODEL 855 ROUND BALER

FIG. 18 - TAILGATE GROUP

REF	FN	PART NUMBER	FINIS	YR/SN	QTY	DESCRIPTION
1		795557			1	Tailgate Weld Assy., Replaces 637959 & 771098
2		792014			1	Shield, Replaces 649261
3		570821			30	Screw, Self-Tapping, HWH, 5/16" x 5/8"
		637872			1	Shield
		570821			28	Screw, Self-Tapping, HWH, 5/16" x 5/8"
	637964			2	Screw, Thread-Forming	
4		637871			1	Rod
5		636816			1	Door
		255918			6	Screw, Lock, 3/8" x 3/4" USR
		80702			4	Washer, 3/8"
		285072			2	Washer, Hardened
6		635060			4	Idler
7		701298			4	Bearing
8		268118			8	Ring, Retaining
9		679574			AR	Washer, Hardened, .135" (3.4mm) Thick
10		679750			AR	Washer, Hardened, .060" (1.55mm) Thick
11		280120			6	Screw, Cap, HH, G5, 3/4" x 6"
		87340			6	Washer, Lock, 3/4"
12		280954			6	Nut, G5, 3/4"
		637919			2	Pin Weld Assy.
		87367			AR	Washer, 1" SAE
		80754			2	Pin, Cotter, 3/16" x 1-1/2"
13	(1)	647319		j	AR	Shim
14	(1)	647320		j	1	Stripper
15		88976			8	Screw, Cap, HH, G5, 5/16" x 3/4"
		768614		e	1	Tube Weld Assy., Replaces 675410
	769888		f	1	Tube Weld Assy.	
16		638513		e	4	Sprocket, Rubber
		762310		f	4	Sprocket, Rubber
		88346		e	10	Screw, Cap, HH, G5, 5/16" x 2-1/2"
		87936		f	8	Screw, Cap, HH, G5, 3/8" x 2-1/2"
		280736		e	10	Nut, Lock, GC, 5/16"
		88902		f	8	Nut, Lock, GC, 3/8"

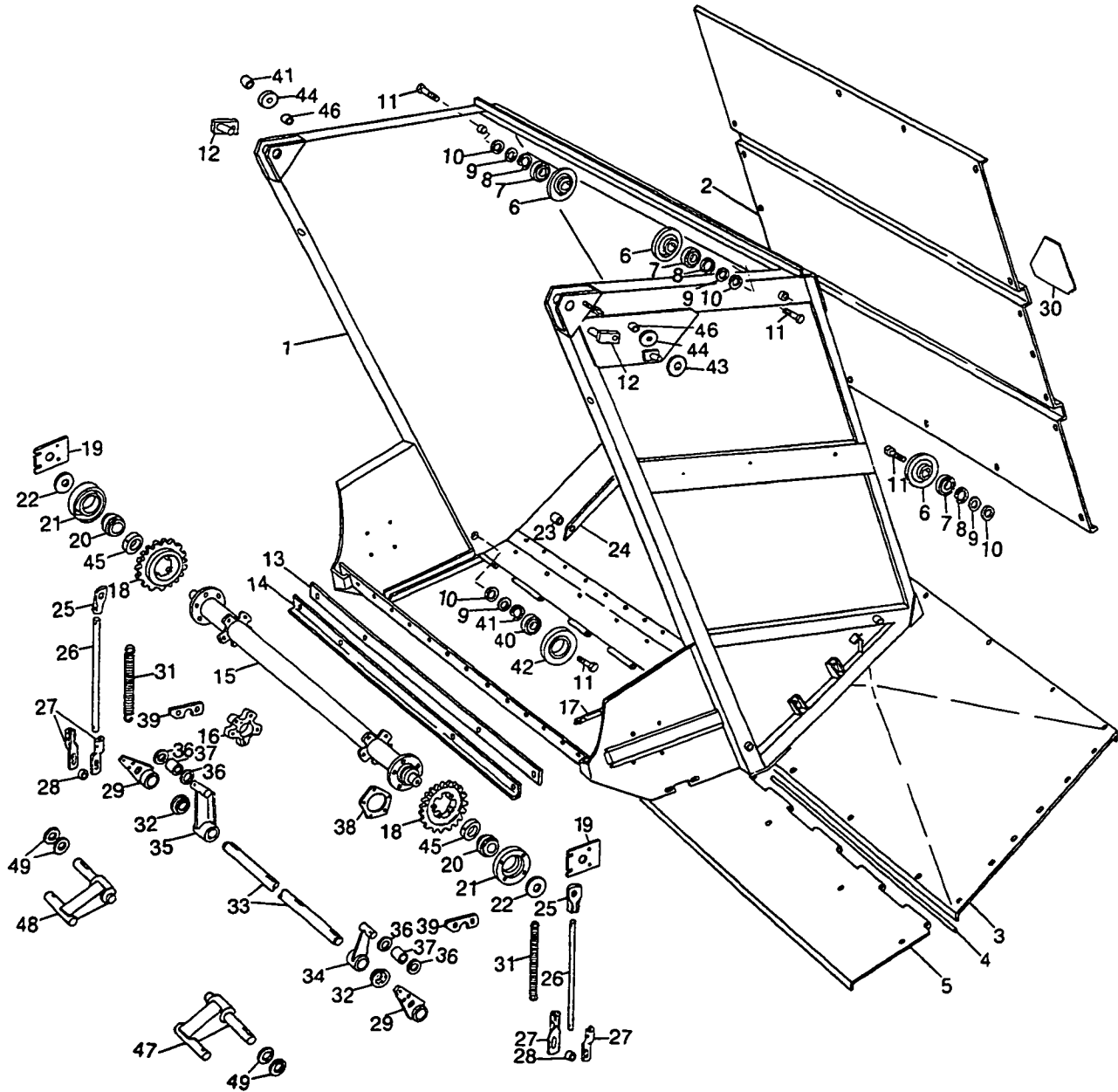
(1) - Stripper #647320 & Shim #647319 are included in the Floor Roll Stripper Kit P/N 9621989.

e - Used On & BSN 696374.
 f - Used On & ASN 696375.
 j - Used On & BSN 733139.

AR - As Required

MODEL 855 ROUND BALER

FIG. 18 - TAILGATE GROUP



MODEL 855 ROUND BALER

FIG. 18 - TAILGATE GROUP

REF	FN	PART NUMBER	FINIS	YR/SN	QTY	DESCRIPTION
17		682456			2	Guide Weld Assy.
		255918			6	Screw, Lock, USR, 3/8" x 3/4"
18		850938		e	2	Sprocket, 20 Teeth, Replaces 676199
		850939		f	2	Sprocket, 20 Teeth, Replaces 847787
		87847		e	10	Screw, Cap, HH, G5, 1/2" UNF x 1-1/4"
		304726-S36		f	8	Screw, Cap, HH, G5, 1/2" x 1-1/4", Replaces 87670
		80679		e	10	Washer, Lock, 1/2"
		80679		f	8	Washer, Lock, 1/2"
19		698069			AR	Washer
20		52443			2	Bearing
21		9615414			2	Bearing Assy., Replaces 677025 Includes: Ref. 20
		714555			8	Screw, Self-Locking, HWH, 3/8" x 1"
22		698195			2	Washer
		88206		j	2	Screw, Cap, HH, G5, 3/8" x 1"
		707851		k	2	Screw, Cap, HH, Special
23		135488			4	Spacer
24		613588			2	Guide
		88043			4	Screw, Cap, HH, G5, 1/2" x 3-1/4"
		87364			AR	Washer, 1/2" SAE
		80679			4	Washer, Lock, 1/2"
		280431			4	Nut, G5, 1/2"
25		613701			2	Clip
		88275			2	Screw, Cap, HH, G5, 5/16" x 1-1/2"
		280736			2	Nut, Lock, GC, 5/16"
26	(2)	9610520			2	Tube, Replaces 637707
27		676538			4	Bracket
		88275			2	Screw, Cap, HH, G5, 5/16" x 1-1/2"
		280736			2	Nut, Lock, GC, 5/16"

(2) - 637707 Tube is now Replaced by 9610522 Hub Weld Assembly & 9610520 Tube.

e - Used On & BSN 696374.

f - Used On & ASN 696375.

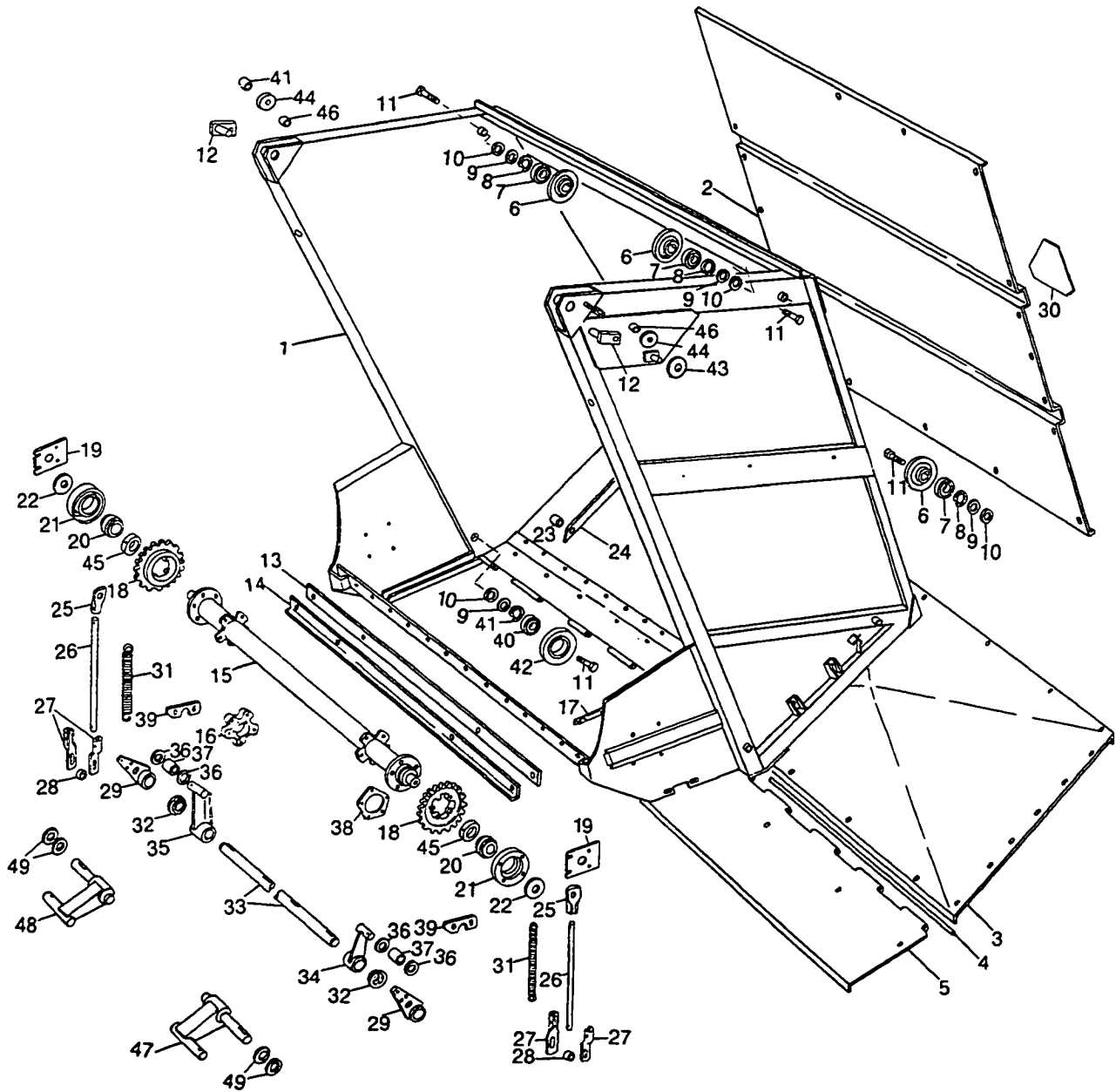
j - Used On & BSN 733139.

k - Used On & ASN 733140.

AR - As Required

MODEL 855 ROUND BALER

FIG. 18 - TAILGATE GROUP



MODEL 855 ROUND BALER

FIG. 18 - TAILGATE GROUP

REF	FN	PART NUMBER	FINIS	YR/SN	QTY	DESCRIPTION
28		516579			4	Spacer
		88428			2	Screw, Cap, HH, G5, 3/8" x 1-3/4"
		80702			4	Washer, 3/8"
		80680			2	Washer, Lock, 3/8"
		84944			2	Nut, 3/8"
29	(3)	9610522			2	Hub Weld Assy., Replaces 684787
		80810			2	Key, Woodruff, 3/16" x 3/4"
		88019			2	Screw, Set, Sq. Hd., 5/16" x 3/4"
		84968			2	Nut, Jam, 5/16"
30		189396			1	Emblem, Slow Moving Vehicle
31		27952			2	Spring
		88011			2	Screw, Cap, HH, G5, 3/8" x 1-1/4"
		84944			2	Nut, 3/8"
32		612964		n/l	2	Bearing
		612964		m	4	Bearing
33		647991		n/l	1	Shaft
34		680676		n/l	1	Channel Weld Assy., L.H.
		80810			1	Key, Woodruff, 3/16" x 3/4"
		280662			2	Screw, Set, Sq. Hd., 5/16" x 7/8"
		84968			2	Nut, Jam, 5/16"
35		680677		n/l	1	Channel Weld Assy., R.H.
		80810			1	Key, Woodruff, 3/16" x 3/4"
		280662			2	Screw, Set, Sq. Hd., 5/16" x 7/8"
		84968			2	Nut, Jam, 5/16"
36		679750			4	Washer
37		691370			2	Spacer
		87395			2	Pin, Cotter, 1/8" x 1-1/4"
38		693481		e	AR	Shim
		762356		f	AR	Shim

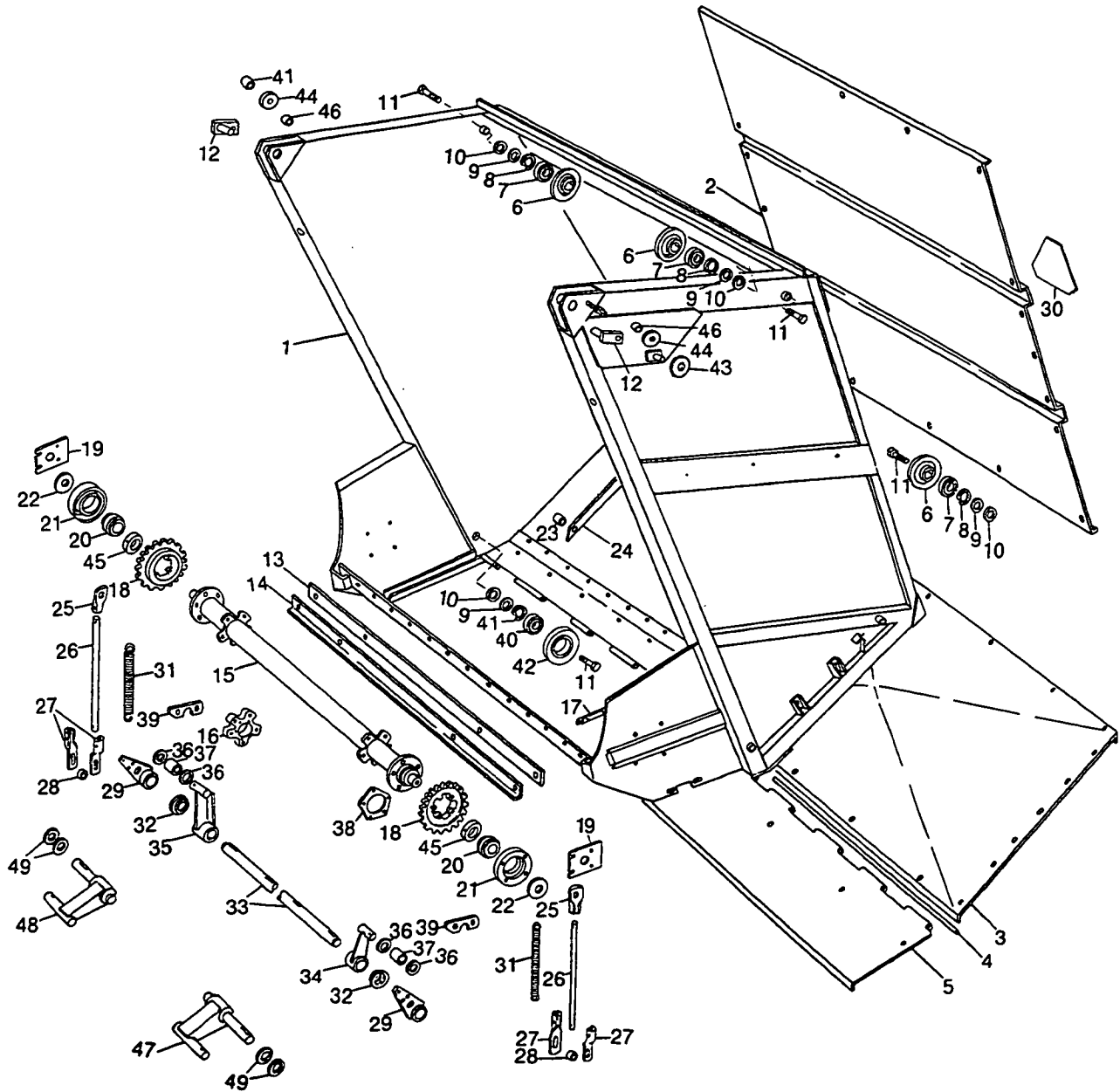
(3) - 684787 Hub Weld Assembly is now Replaced by 9610522 Hub Weld Assembly & 9610520 Tube.

e - Used On & Between 696374.
 f - Used On & ASN 696375.
 l - Used On & BSN 706036.
 m - Used On & Between S/N 706037 & 786225.
 n - Used On & ASN 786226.

AR - As Required

MODEL 855 ROUND BALER

FIG. 18 - TAILGATE GROUP



MODEL 855 ROUND BALER

FIG. 18 - TAILGATE GROUP

REF	FN	PART NUMBER	FINIS	YR/SN	QTY	DESCRIPTION
39		855363			2	Plate, Replaces 637390
		87868			4	Bolt, Carriage, G5, 1/2" x 1-1/4"
		143479			4	Washer
		88871			4	Nut, Lock, 1/2"
40		573944		j	2	Bearing, Ball
		701298		k	2	Bearing, Ball
41		33915		j	4	Ring, Retaining
		268118		k	4	Ring, Retaining
42	(4)	849733			2	Idler
43		26312			2	Washer
44		58638			2	Roller
		304834S36			2	Screw, Cap, HH, G5, 1/2" x 2", Replaces 88552
		65319			2	Washer, Hardened
		26301			2	Washer, Special
45		768572			2	Washer, Special
46		161351			2	Spacer
47		798890		m	1	Latch Weld Assembly, L.H.
48		798891		m	1	Latch Weld Assembly, R.H.
49		26129		m	4	Washer
	(1)	797676			AR	Idler Mount Repair Kit

(1) - Used Between S/N 680740 & 696905.

(4) - When Replacing the Idler, the Following Parts must be Ordered: (2) 849733, (2) 701298 & (4) 268118.

j - Used On & BSN 733139.

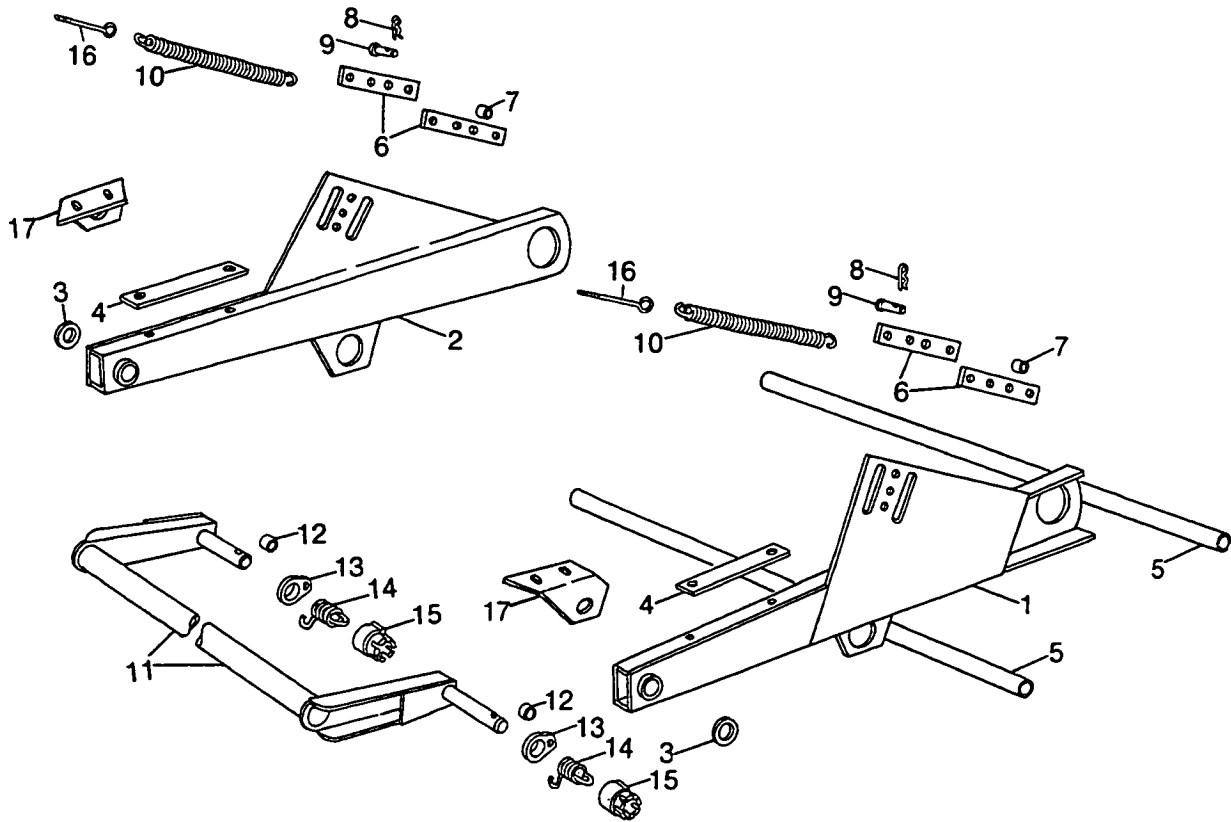
k - Used On & ASN 733140.

m - Used On & Between S/N 706037 & 786225.

AR - As Required

MODEL 855 ROUND BALER

FIG. 19 - SUPPORT & KICKER GROUP



MODEL 855 ROUND BALER

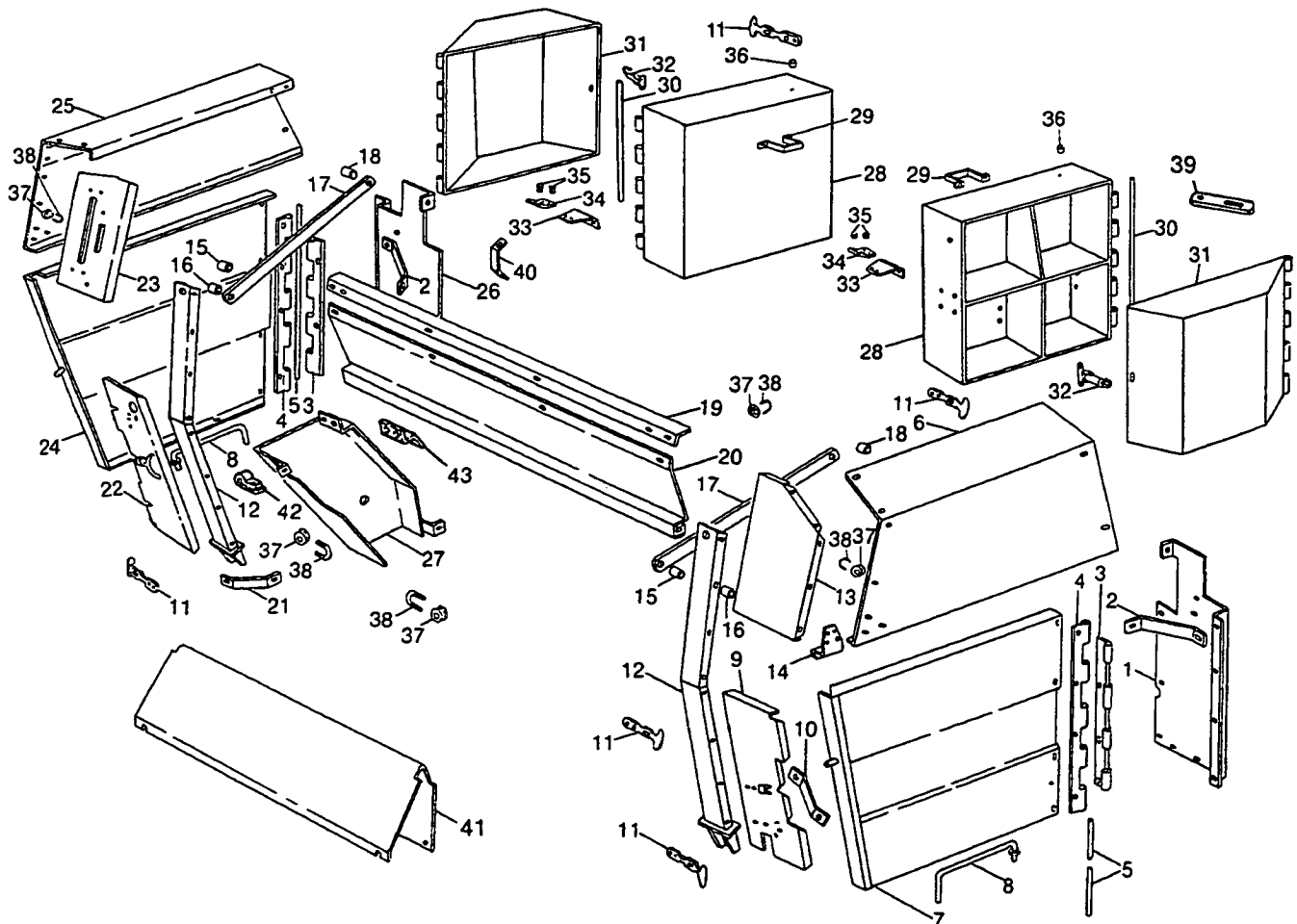
FIG. 19 - SUPPORT & KICKER GROUP

REF	FN	PART NUMBER	FINIS	YR/SN	QTY	DESCRIPTION
1		677194			1	Arm Weld Assy., L.H.
		80754			1	Pin, Cotter, 3/16" x 1-1/2"
2		677195			1	Arm Weld Assy., R.H.
		80754			1	Pin, Cotter, 3/16" x 1-1/2"
3		27531			4	Washer
4		639257			2	Strip
		690341			4	Screw, Thread-Forming, 5/16" x 5/8"
5		637427			2	Tube
		280657			4	Screw, Cap, HH, G5, 1/4" x 4"
		280129			4	Nut, Lock, GC, 1/4"
6		612947			4	Plate
		88011			6	Screw, Cap, HH, G5, 3/8" x 1-1/4"
		88902			6	Nut, Lock, GC, 3/8"
7		768703			6	Spacer
8		129365			2	Cotter, Hairpin
9		166404			2	Stud
10		612957			2	Spring
11	(1)	9604234			1	Elevator Weld Assy., Replaces 693782 & 785187
12		264513			2	Spacer
13		649106			2	Bushing
		280428			2	Bolt, Carriage, G5, 5/16" x 1"
		87362			2	Washer, 5/16" SAE
		34791-S36			2	Washer, Lock, 5/16"
		84943			2	Nut, 5/16"
14		28285			2	Spring (Used W/old P/N 693782)
		784932			2	Spring (Used W/new P/N 785187)
		87464			2	Screw, Cap, HH, G5, 1/4" x 2"
		44720-S36DS			2	Washer, 1/4", Replace 80701
		280129			2	Nut, Lock, GC, 1/4"
		88182			1	Pin, Cotter, 1/4" x 2"
15		9820374			2	Holder, Spring (Used W/old P/N 693782), Replaces, 9602087
		136521			1	Pin, Cotter, 1/4" x 2"
16		693837			2	Bolt, Eye
		80700			2	Washer, 1/2"
		280431			4	Nut, G5, 1/2"
17		798894		h	2	Bracket
		255918			4	Screw, Lock, 3/8" x 3/4" USR

- 1 - When Replacing #693782 With #785187, also Order (2) #784932, (2) #87404, (2) #280129, (2) #80701 & (1) #88182
h - Used On & ASN 706838.

MODEL 855 ROUND BALER

FIG. 20 - SHIELD GROUP



MODEL 855 ROUND BALER

FIG. 20 - SHIELD GROUP

REF	FN	PART NUMBER	FINIS	YR/SN	QTY	DESCRIPTION
1		682228			1	Support, L.H.
		570821			1	Screw, Self-Tapping, HWH, 5/16" x 5/8"
		145913			3	Screw, Lock, 5/16" x 3/4" USR
		145458			3	Nut, Lock, 5/16" USR
2		690836			2	Angle
		304726-36S			2	Screw, Cap, HH, G5, 1/2" x 1-1/4", Replaces 87670
		87364			2	Washer, 1/2" SAE
		80679			2	Washer, Lock, 1/2"
3		682427			2	Hinge
		280140			8	Screw, Cap, HH, FL, P, 5/16" x 5/8"
		145458			8	Nut, Lock, USR, 5/16"
4		682426			2	Hinge
		280140			8	Screw, Cap, HH, FL, P, 5/16" x 5/8"
		145458			8	Nut, Lock, 5/16" USR
5		644127			2	Rod, Hinge
6		682432			1	Shield, L.H.
		271288			8	Screw, Lock, 5/16" x 5/8" USR
		145458			8	Nut, Lock, 5/16" USR
7	(1)	787044			1	Door Weld Assy., L.H., Replaces 681240
8		686514			2	Latch Weld Assy.
		87362			2	Washer, 5/16" SAE
		280250			2	Pin, Cotter, 3/32" x 3/4"
9	(2)	781210			1	Panel, Bottom, L.H., Replaces 682428
		280140			4	Screw, Cap, HH, FL, P, 5/16" x 5/8"
		145458			4	Nut, Lock, 5/16" USR
10		690738			1	Bracket
		280140			2	Screw, Cap, HH, FL, P, 5/16" x 5/8"
		145458			2	Nut, Lock, 5/16" USR
11		630118		e/f	2/6	Latch
		88573		e/f	4/12	Screw, Cap, HH, G5, 1/4" x 3/4"
		87361		e/f	4/12	Washer, 1/4" SAE
		280129		e/f	4/12	Nut, Lock, GC, 1/4"
12		9616477			2	Channel Weld Assy., Replaces 68244
		304726-S36			4	Screw, Cap, HH, G5, 1/2" x 1-1/4", Replaces 87670
		87997			2	Screw, Cap, HH, G5, 1/2" x 5"
		87364			9	Washer, 1/2" SAE
		80679			6	Washer, Lock, 1/2"
		280431			2	Nut, 1/2"

(1) - When Replacing #681240 With #787044, also Order (1) #78210, (1) #630118, (2) #88573, (2) #87361 & (2) 280129.

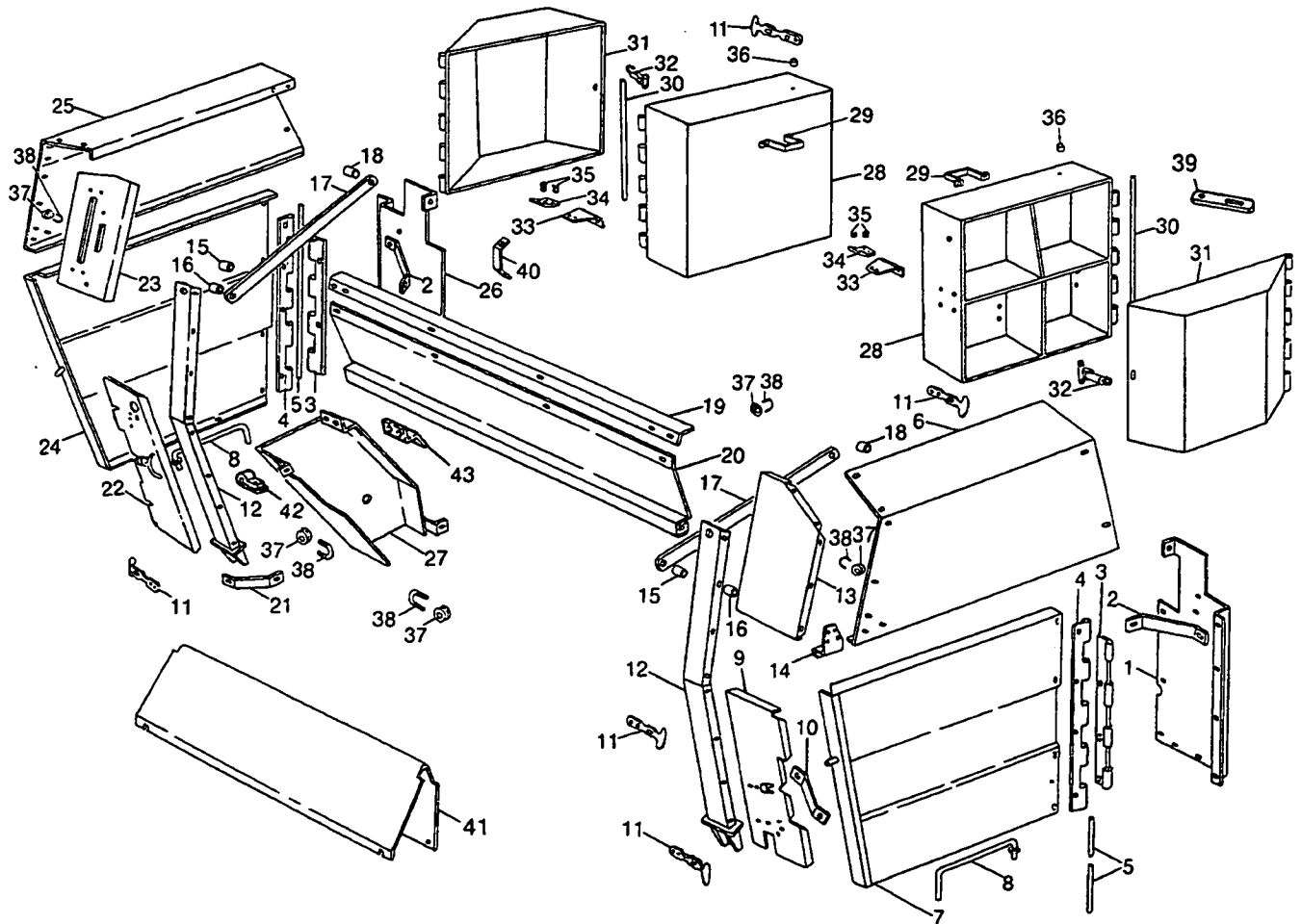
(2) - When Replacing #682428 With #781210, also Order (1) #787044, (1) #630118, (2) #88573, (2) #87361 & (2) #28012

e - Used On & BSN 696374.

f - Used On & ASN 696375.

MODEL 855 ROUND BALER

FIG. 20 - SHIELD GROUP



MODEL 855 ROUND BALER

FIG. 20 - SHIELD GROUP

REF	FN	PART NUMBER	FINIS	YR/SN	QTY	DESCRIPTION
13		682430			1	Panel, Top, L.H.
		280140			4	Screw, Cap, HH, FL, P, 5/16" x 5/8"
		145458			4	Nut, Lock, 5/16" USR
14		682435			2	Support
		280140			6	Screw, Cap, HH, FL, P, 5/16" x 5/8"
		145458			6	Nut, Lock, 5/16" USR
15		42611			2	Spacer, 2"
16		846671			2	Spacer, 1-3/8"
17		682445			2	Flat
18		184899			2	Spacer
19		682439			1	Angle
		255918			2	Screw, Lock, 3/8" x 3/4" USR
		247780			2	Nut, Lock, 3/8" USR
20		682436			1	Front Panel Weld Assy.
		280140			6	Screw, Cap, HH, FL, P, 5/16" x 5/8"
		145458			6	Nut, Lock, 5/16" USR
		80702			2	Washer, 3/8"
21		690739			1	Bracket
		570821			1	Screw, Self-Tapping, HWH, 5/16" x 5/8"
		271288			1	Screw, Lock, 5/16" x 5/8" USR
		145458			1	Nut, Lock, 5/16"
22	(3)	785765		g	1	Panel, Bottom, R.H., Replaces 682429
		795420		h	1	Panel, Bottom, R.H.
		280140			4	Screw, Cap, HH, FL, P, 5/16" x 5/8"
		145458			4	Nut, Lock, 5/16" USR
23		682431		e	1	Panel, Top, R.H.
		798935		f	1	Panel, Top, R.H.
		280140			4	Screw, Cap, HH, FL, P, 5/16" x 5/8"
		145458			4	Nut, Lock, 5/16" USR
24	(4)	787045			1	Door Weld Assy., R.H., Replaces 681241
25		682433			1	Shield, R.H.
		280140			8	Screw, Cap, HH, FL, P, 5/16" x 5/8"
		145458			8	Nut, Lock, 5/16" USR
26		682229			1	Support, R.H.
		690341			1	Screw, Lock, Thread-Forming, 5/16" x 5/8" USR
		280140			4	Screw, Cap, HH, FL, P, 5/16" x 5/8"
		145458			4	Nut, Lock, 5/16" USR

(3) - When Replacing #681241 with #787045, also order (1) #785765, (1) #630118, (2) #88573, (2) #87361 & (2) #280129.

(4) - When Replacing #682428 with #785765, also order (1) #630115, (2) #88573, (2) #87361 & (2) #280129.

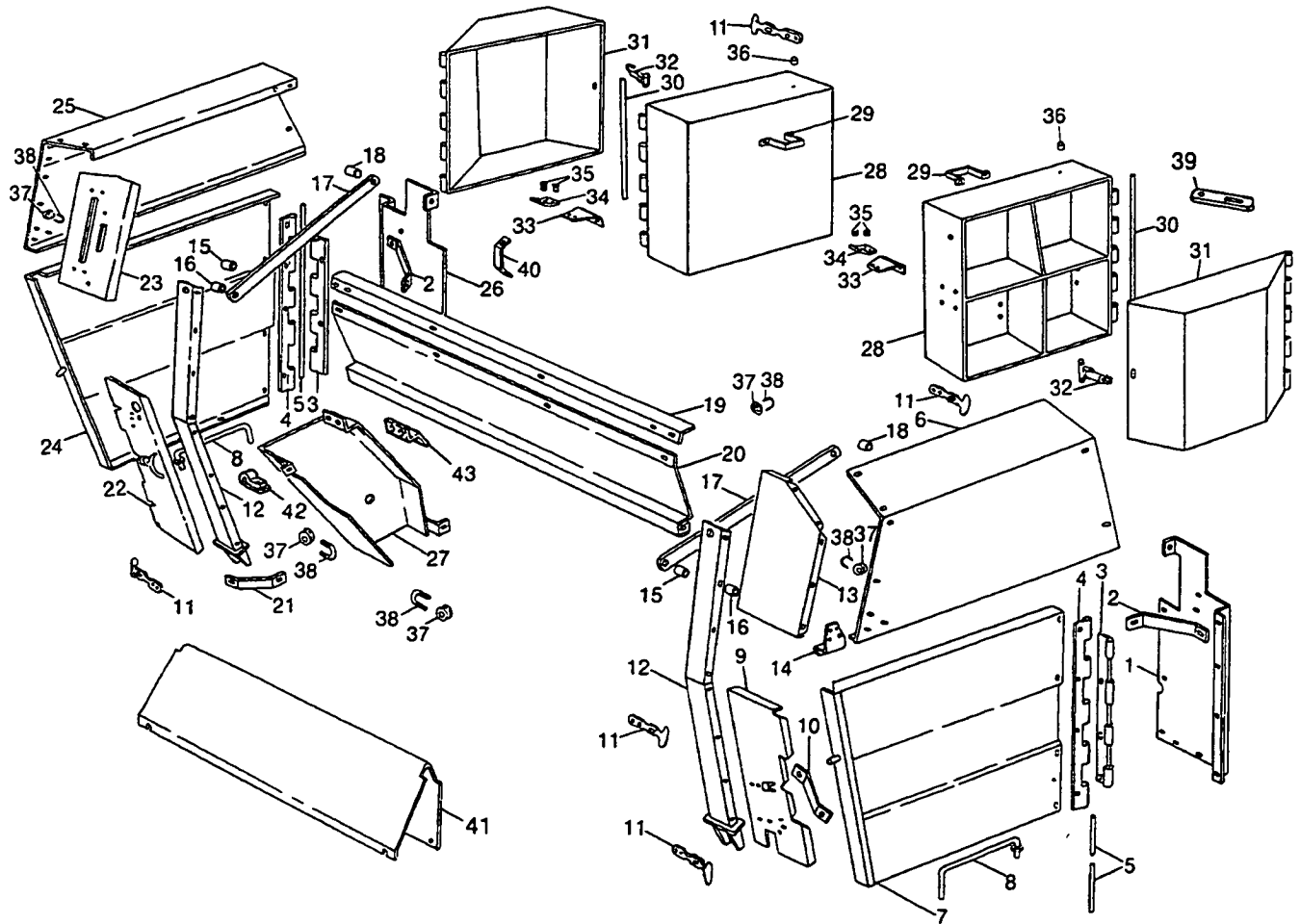
f - Used On & ASN 696375.

g - Used On & BSN 706837.

h - Used On & AsN 706838.

MODEL 855 ROUND BALER

FIG. 20 - SHIELD GROUP



MODEL 855 ROUND BALER

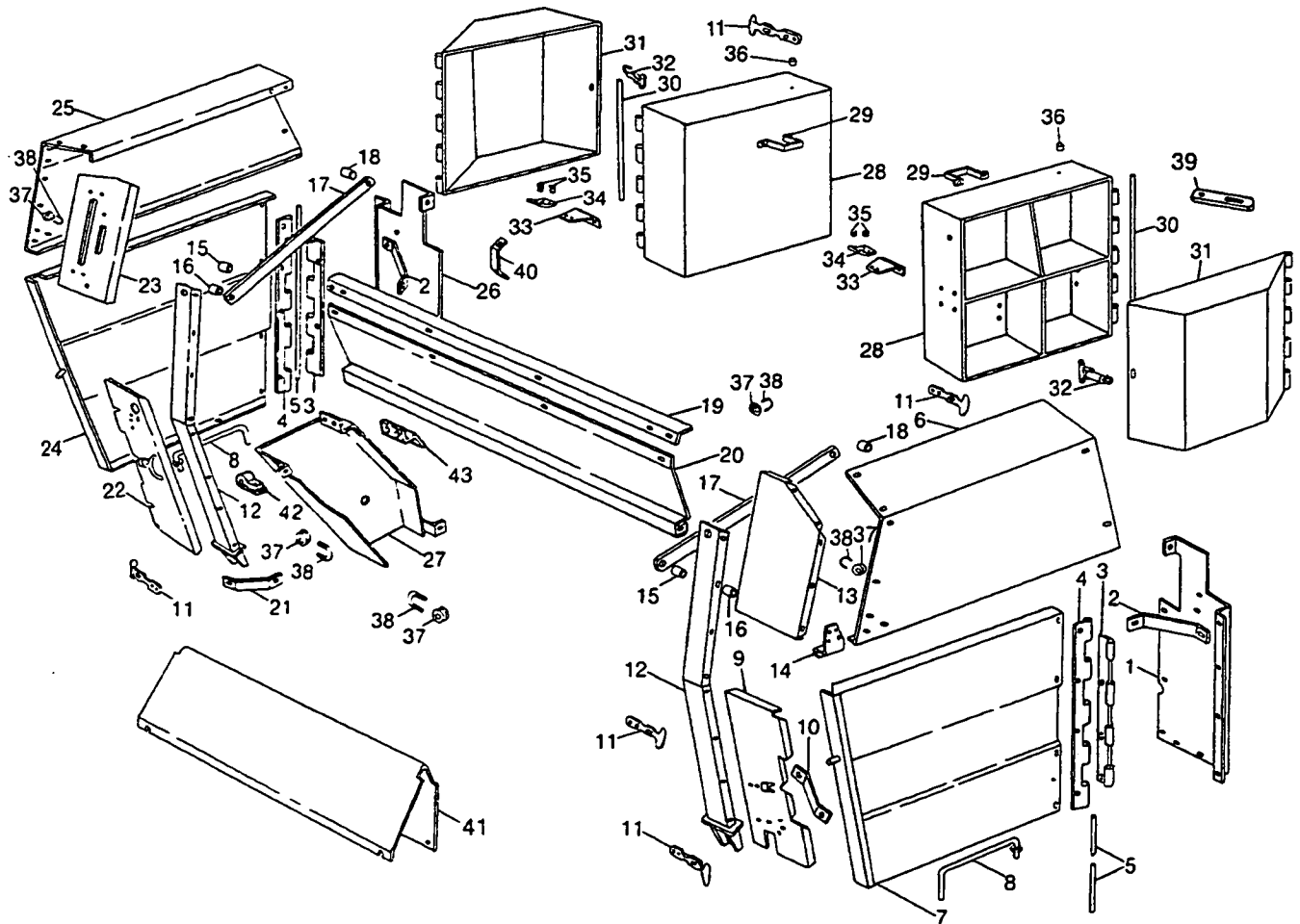
FIG. 20 - SHIELD GROUP

REF	FN	PART NUMBER	FINIS	YR/SN	QTY	DESCRIPTION
27		691135		c	1	Cover Weld Assy.
		767729		i	1	Cover Weld Assy.
		787745		l	1	Cover Weld Assy.
		9610612		n	1	Cover Weld Assy.
		570821		n/l	4/2	Screw, Lock, Thread-Forming, 5/16" x 5/8"
		280140			2	Screw, Cap, HH, FL, P, 5/16" x 5/8"
		145458			2	Nut, Lock, 5/16" USR
		80664			2	Washer, 31
28		682450		e	2	Twine Box Weld Assy.
		785015		f	2	Twine Box Weld Assy.
		280140			8	Screw, Cap, HH, FL, P, 5/16" x 5/8"
		145458			8	Nut, Lock, 5/16" USR
29		695630			2	Guide
		280140			4	Screw, Cap, HH, FL, P, 5/16" x 5/8"
		145458			4	Nut, Lock, 5/16" USR
30		619939			2	Rod, Replaces 692345
31		696473		e	2	Door Weld Assy., Replaces 692348
		786497		f	2	Door Weld Assy.
32		9604254		e	2	Fastener
		84821			4	Screw, Machine, Truss Hd., #10 x 1/2"
		80684			4	Screw, Lock, #10
		87304			4	Nut, #10
33		692449			2	Angle
		280140			4	Screw, Cap, HH, FL, P, 5/16" x 5/8"
		145458			4	Nut, Lock, 5/16" USR
34		700039			2	Angle
35		00025			4	Spring
		300858-S36			4	Screw, Cap, HH, G5, 1/4" x 1-3/4", Replaces 280164
		280129			4	Nut, Lock, GC, 1/4"
36		34195			2	Spacer
		304720-S36			2	Screw, Cap, HH, G5, 5/16" x 1-1/4", Replaces 87657
		87362			6	Washer, 5/16" SAE
		145458			2	Nut, Lock, 5/16" USR
37		28110			4	Guide, Twine
38		28114			4	U-Bolt
		80684			8	Washer, Lock, #10
		87304			8	Nut, #10

- c - Used On & BSN 680739.
- e - Used On & BSN 696374.
- f - Used On & ASN 696375.
- i - Used On & Between Serial #696375 & 706837.
- l - Used On & Between Serial #706838 & 786144.
- n - Used On & ASN 786145.

MODEL 855 ROUND BALER

FIG. 20 - SHIELD GROUP



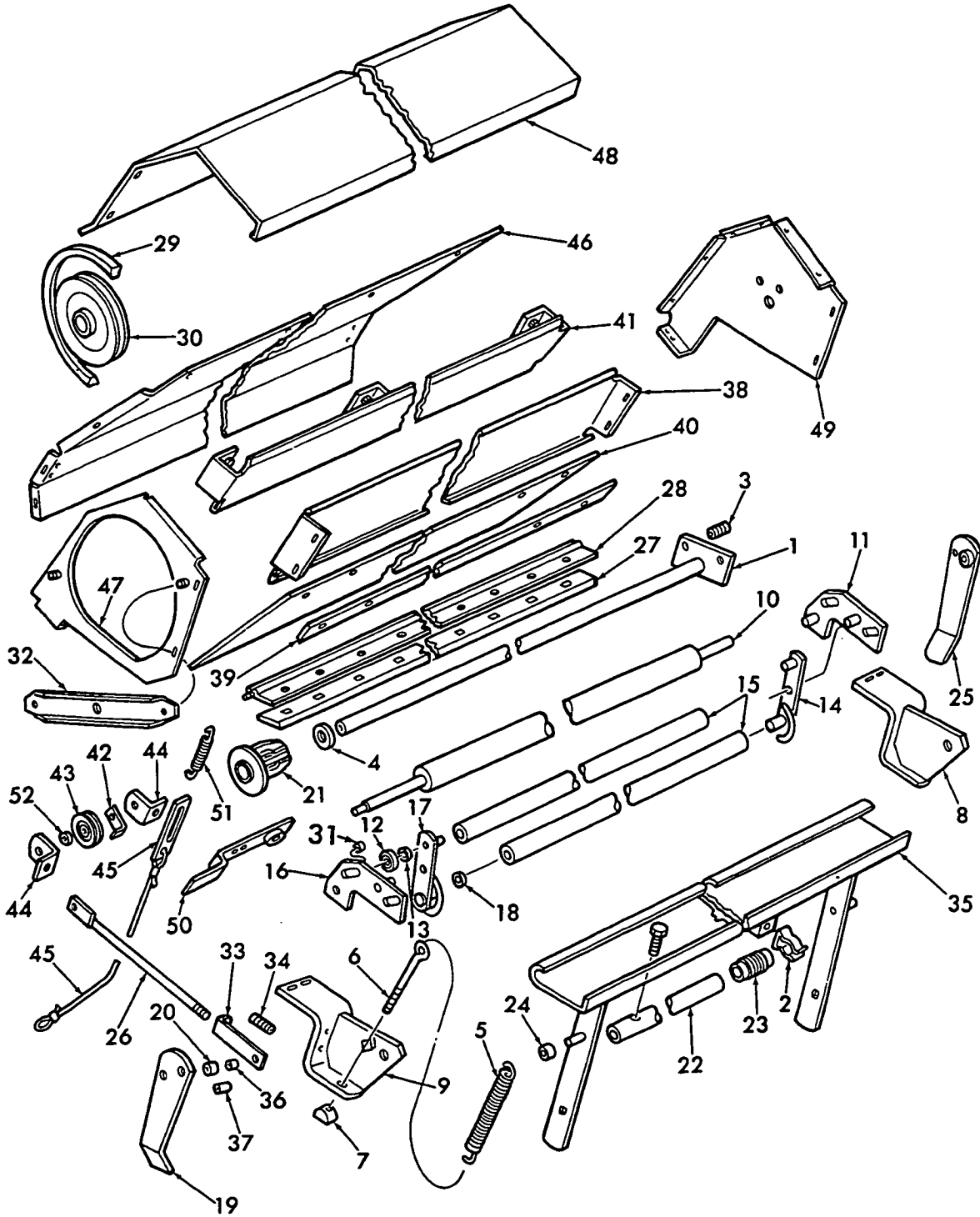
MODEL 855 ROUND BALER

FIG. 20 - SHIELD GROUP

REF	FN	PART NUMBER	FINIS	YR/SN	QTY	DESCRIPTION
39		692549			1	Stop
		11555			1	Spacer
		852191			1	Spacer
		87256			2	Screw, Machine, Truss Hd., 5/16" x 1"
		347915-S36			2	Washer, Lock, 5/16", Replaces 80681
		84943			2	Nut, 5/16"
40		784759			2	Strap
		280497			2	Bolt, Carriage, G5, 5/16" x 3/4"
		145458			2	Nut, Lock, 5/16" USR
41		798759			1	Hood
		570821			6	Screw, Self-Tapping, HWH, 5/16" x 5/8"
42		257492			1	Clamp
		88542			1	Screw, Cap, HH, G5, 1/4" x 1/2"
43		280129			1	Nut, Lock, GB, 1/4", Replaces 84060
		787743			1	Bracket
		280140			2	Screw, Cap, HH, FL, P, 5/16" x 5/8"
		145458			2	Nut, Hex Flanged, 5/16"

MODEL 855 ROUND BALER

FIG. 21 - NET FEED ASSEMBLY & SHIELD ASSEMBLY NET WRAP ATTACHMENT



MODEL 855 ROUND BALER

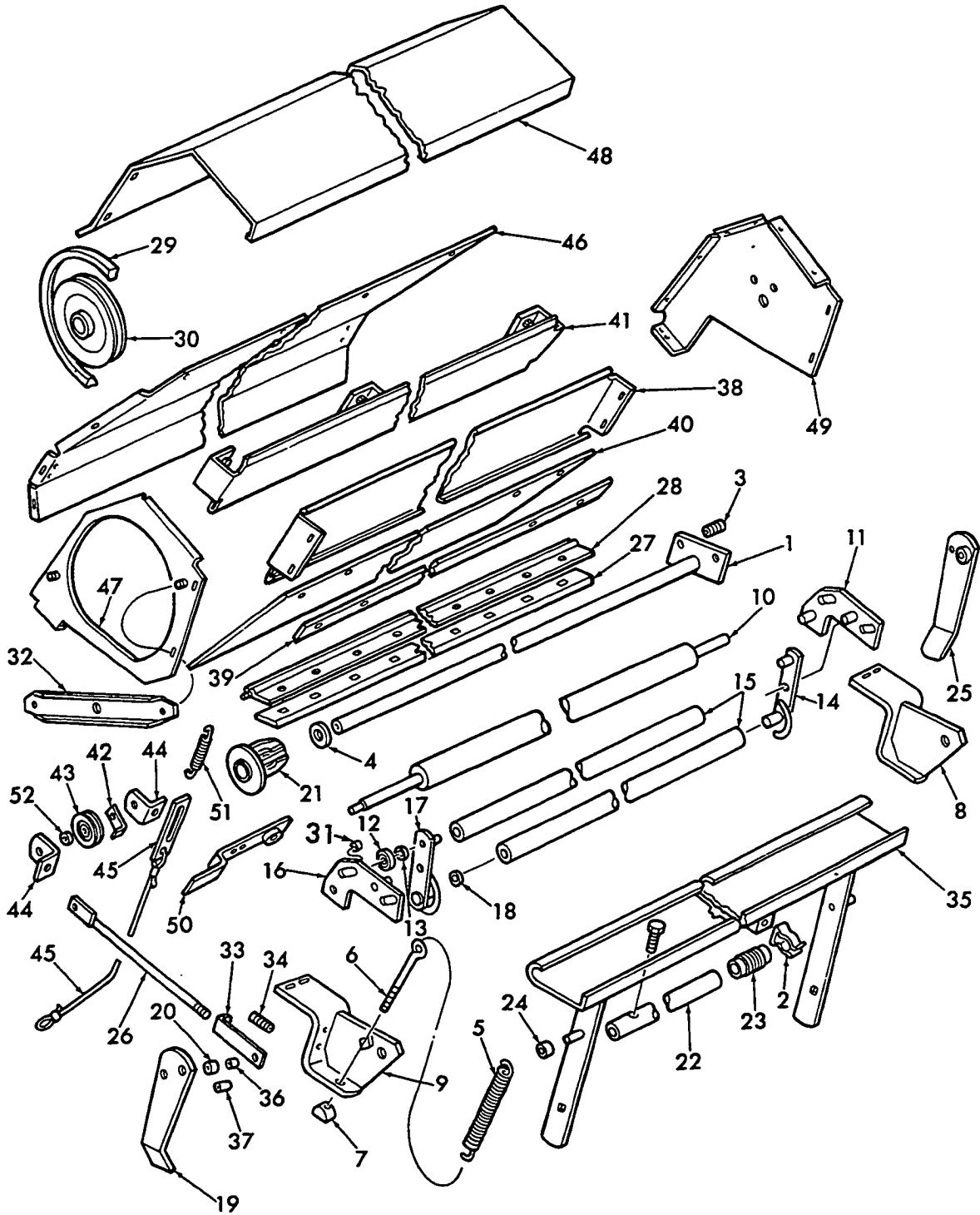
FIG. 21 - NET FEED ASSEMBLY & SHIELD ASSEMBLY
NET WRAP ATTACHMENT

REF	FN	PART NUMBER	FINIS	YR/SN	QTY	DESCRIPTION
1		9612024			1	Pipe Weld Assy.
		280879			2	Bolt, Carriage, G5, .38 x 2.00
		80702			2	Washer, 3/8"
		88902			2	Nut, Lock, 3/8"
2		640576			1	Clip, Spring
		87872			1	Screw, Cap, HH, G5, 5/16" x 3/4"
		145458			1	Flange, Nut, 5/16" USR
3		42622			1	Spring
4		32429			1	Rear, Shield
5		605846			1	Extension, Spring
		87364			2	Washer, SAE, 1/2"
		80755			2	Pin, Cotter, 1/8" x 1"
6		708460			2	Bolt, Eye
		84969			2	Nut, Jam, 3/8"
		84944			2	Nut, 3/8"
7		9801066			2	Rocker, Replaces 36989
8		9612045			1	Bracket Weld Assy., L.H.
		714555			2	Screw, Self-Locking, HWH, 3/8" x 1" USR
		280420			1	Bolt, Carriage, G5, 1/2" x 1-1/2"
		87364			1	Washer, SAE, 1/2"
		80679			1	Washer, Lock, 1/2"
		280431			1	Nut, 1/2"
9		9612046			1	Support Weld Assy., R.H.
		280420			1	Bolt, Carriage, G5, 1/2" x 1-1/2"
		87364			1	Washer, SAE, 1/2"
		80679			1	Washer, Lock, 1/2"
		280431			1	Nut, 1/2"
10		9611830			1	Drive Roll Assy.
11		9611866			1	Support Weld Assy., L.H.
		34791-S36			4	Washer, Lock, 5/16", Replaces 80681
		87872			4	Screw, Cap, HH, G5, 5/16" x 3/4"
12		214122			4	Bearing, Ball
13		767861			2	Spacer
					4/AR	Shim
14		9612329			1	Arm Weld Assy., L.H.
		80755			1	Pin, Cotter, 1/8" x 1"
		87364			1	Washer, SAE, 1/2"

AR - As Required

MODEL 855 ROUND BALER

FIG. 21 - NET FEED ASSEMBLY & SHIELD ASSEMBLY NET WRAP ATTACHMENT



MODEL 855 ROUND BALER

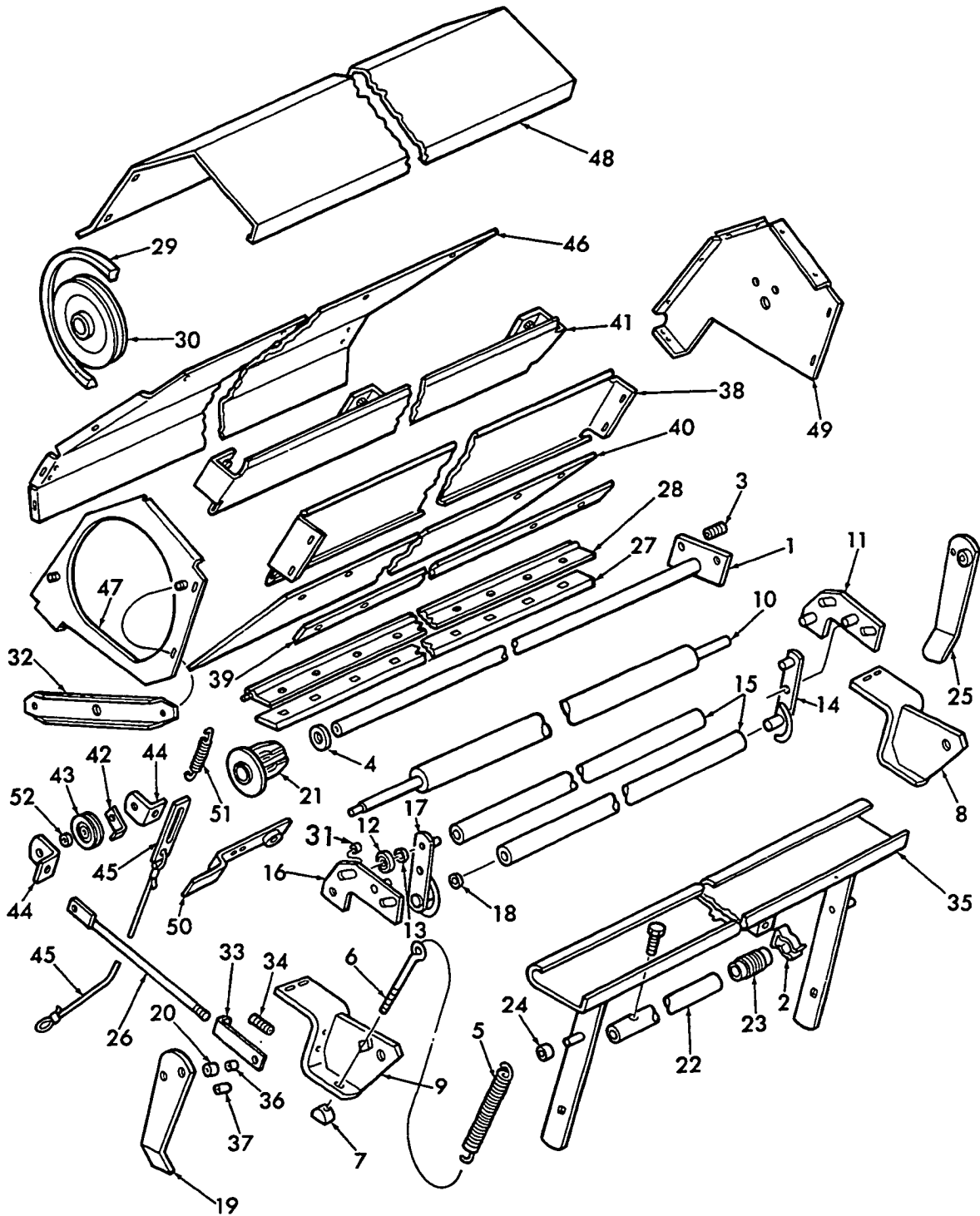
FIG. 21 - NET FEED ASSEMBLY & SHIELD ASSEMBLY
NET WRAP ATTACHMENT

REF	FN	PART NUMBER	FINIS	YR/SN	QTY	DESCRIPTION
15		859981			2	Tube
16		9611865			1	Support Weld Assy., R.H.
		80755			2	Pin, Cotter, 1/8" x 1"
		80700			2	Washer, 1/2"
17		9612328			1	Arm Weld Assy., R.H.
		80755			1	Pin, Cotter, 1/8" x 1"
		87364			1	Washer, SAE, 1/2"
18		249100			4	Washer, Special, Replaces 116312
		195903			2/AR	Shim
19		9611885			1	Lever Weld Assy., R.H.
		88543			1	Screw, Cap, HH, G5, 5/16" x 1"
		145458			1	Nut, Flange, 5/16" USR
		145458			1	Nut, Flange, 5/16" USR
		80664			2	Washer, 5/16"
		88543			1	Screw, Cap, HH, G5, 5/16" x 1"
20		514999			2	Bushing
21		9601110			2	Guide Weld Assy.
		248987			2	Washer
		755961			1	Cotter, Hairpin
22		9612349			1	Handle
		47832			1	Nut, Lock, G.L., 5/8"
23		126103			1	Grip
24		35370			2	Spacer
25		9611884			1	Lever Weld Assy., L.H.
		145458			1	Nut, Flange, 5/16" USR
		80664			2	Washer, 5/16"
		88543			1	Screw, Cap, HH, G5, 5/16" x 1"
		88543			1	Screw, Cap, HH, G5, 5/16" x 1"
		145458			1	Nut, Flange, 5/16" USR
26		9611882			2	Rod Weld Assy.
		80664			2	Washer, 5/16"
		84943			8	Nut, 5/16"
27		857164			1	Knife Mount Weld Assy.
28		857169			1	Knife
		523282			8	Nut, Flange, 1/4" USR
		88715			8	Bolt, Carriage, 1/4" x 1/2"
29		9809884			1	V-Belt, Replaces 9612130
30		792701			1	Sheave
		84361			1	Key, Wood, 1/4" x 1-1/4"
		88019			2	Screw, Set, Sq. Hd., CP, 5/16" x 3/4"
		84968			2	Nut, Jam, 3/8"

AR - As Required

MODEL 855 ROUND BALER

FIG. 21 - NET FEED ASSEMBLY & SHIELD ASSEMBLY NET WRAP ATTACHMENT



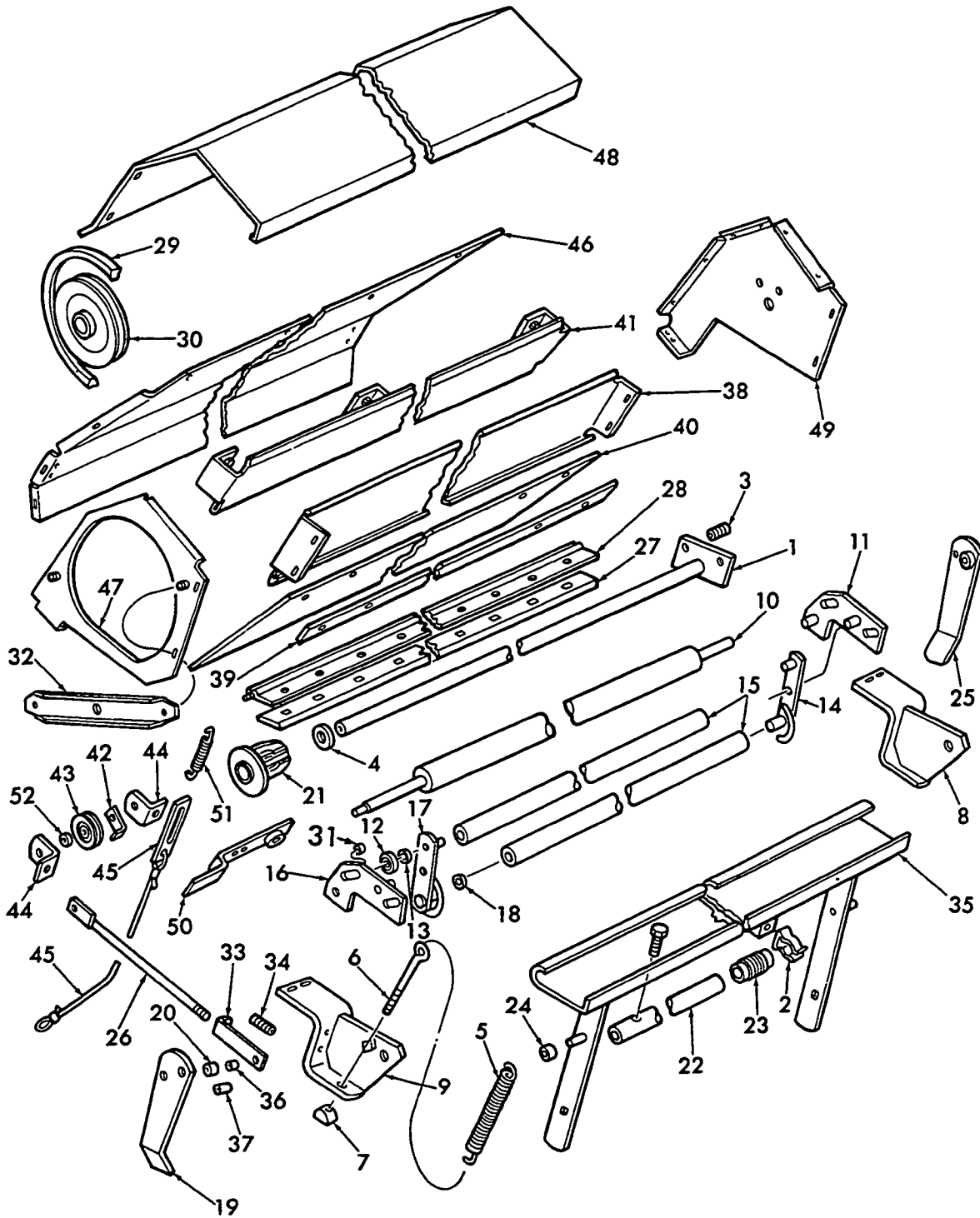
MODEL 855 ROUND BALER

FIG. 21 - NET FEED ASSEMBLY & SHIELD ASSEMBLY
NET WRAP ATTACHMENT

REF	FN	PART NUMBER	FINIS	YR/SN	QTY	DESCRIPTION
31		264513			4	Spacer
32		9601112			1	Support
		33778			2	Cotter, Hairpin
33		9611880			2	Link
		80664			2	Washer, 5/16"
		34791-S36			2	Washer, Lock, 5/16", Replaces 80681
		88543			2	Screw, Cap, HH, G5, 5/16" x 1"
34		137575			2	Spring
35		9612050			1	Brake Arm Weld Assy.
36		34791-S36			2	Spacer, Replaces 80681
37		141979			2	Spacer
38		9612042			1	Stripper, Front
		88434			4	Screw, Cap, HH, G5, 3/8" x 3/4"
		80680			4	Washer, Lock, 3/8"
		80702			4	Washer, 3/8"
39		9615777			1	Strip
		256873			7	Screw, Self-Locking, HWH, 5/16" x 1/2" USR
		145458			7	Nut, Flange, 5/16" USR
40		9612060			1	Flap, 8.75 x 66.24"
41		9612065			1	Rear Stripper Weld Assy.
42		689987			1	Angle
		280127			1	Screw, Machine, HWH, 5/16" x 1"
		145458			1	Nut, Flange, 5/16" USR
43		510932			1	Pulley
44		689986			2	Angle
		280140			2	Screw, Cap, HH, FL, P, 5/16 x 5/8"
		145458			2	Nut, Flange, 5/16" USR
45		9617844			1	Cable Assy.
46		9611856			1	Inner Shield Assy.
		570821			4	Screw, Self-Tapping, HWH, Plated, 5/16" x 5/8"
		87872			5	Screw, Cap, HH, G5, 5/16" x 3/4"
		80664			5	Washer, 5/16"
		34791-S36			5	Washer, Lock, 5/16", Replaces 80671
		88434			2	Screw, Cap, HH, G5, 3/8" x 3/4"
		80680			2	Washer, Lock, 3/8"
		80702			2	Washer, 3/8"
47		9601212			1	Cover Weld Assy., R.H.
		280127			4	Screw, Machine, HWH, 5/16 x 1"
48		9615143			1	Cover Weld Assy.
		280140			4	Screw, Cap, HH, FL, 5/16" x 5/8"
		145458			23	Nut, Flange, 5/16" USR
		280616			19	Bolt, RDH, Sq. Set, G5, 5/16" x 1/2"

MODEL 855 ROUND BALER

FIG. 21 - NET FEED ASSEMBLY & SHIELD ASSEMBLY NET WRAP ATTACHMENT



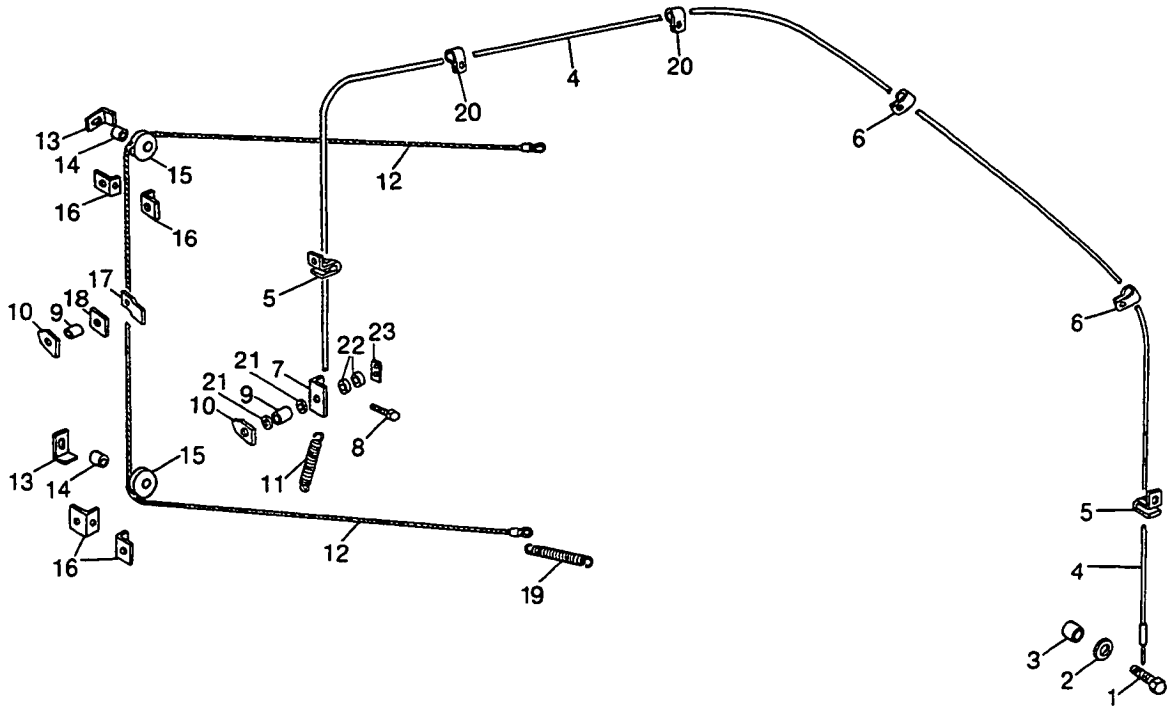
MODEL 855 ROUND BALER

FIG. 21 - NET FEED ASSEMBLY & SHIELD ASSEMBLY
NET WRAP ATTACHMENT

REF	FN	PART NUMBER	FINIS	YR/SN	QTY	DESCRIPTION
49		9601122			1	Cover, L.H.
50		795419			1	Pointer Weld Assy.
		88146			1	Screw, Cap, HH, G5, 1/4" x 1"
		44720-S36DS			1	Washer, 1/4", Replaces 80701
		25457			1	Spacer
		27697			1	Washer
		523282			1	Nut, Flange, 1/4" USR
		88275			1	Screw, Cap, HH, G5, 5/16" x 1-1/2"
		80664			2	Washer, 5/16"
		516914			1	Spacer
		87365			1	Washer, SAE, 5/8"
		80664			1	Washer, 5/16"
		145458			1	Nut, Flange, 5/16" USR
51		510361			1	Spring
		280127			1	Screw, Machine, HWH, 5/16" x 5/8 "USR
		145458			1	Nut, Flange, 5/16" USR
		280736			1	Nut, Lock, GB, 5/16"
52		696365			1	Spacer
		9616976			1	Set, Sign
		805885			1	Roll, Net Wrap, Black, 67"

MODEL 855 ROUND BALER

FIG. 22 - INDICATOR LINKAGE GROUP



MODEL 855 ROUND BALER

FIG. 22 - INDICATOR LINKAGE GROUP

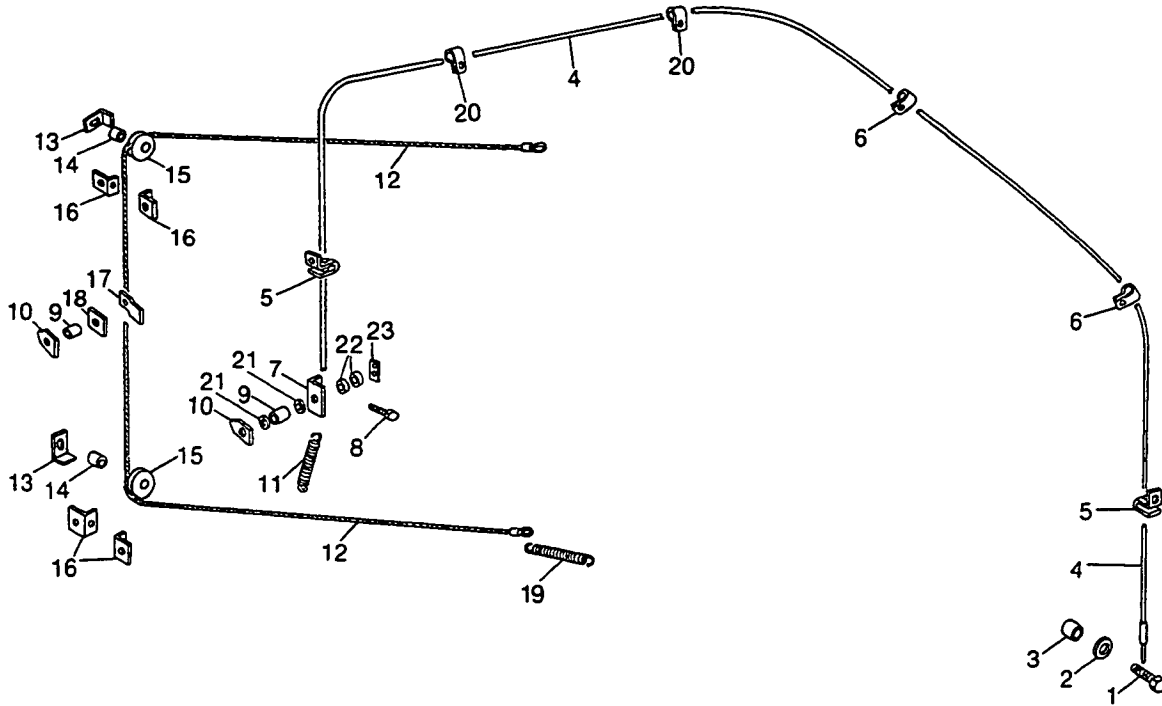
REF	FN	PART NUMBER	FINIS	YR/SN	QTY	DESCRIPTION
1		693042			1	Bolt, Special
		88902			1	Nut, Lock, GC, 3/8"
2		9801065			3	Washer, Replaces 34187
3		514999			1	Bushing
4		690603		g	1	Cable (Tailgate Latch Indicator)
		798010		h	1	Cable (Tailgate Latch Indicator)
5		67951			2	Clamp
		677808			1	Screw, Self-Tapping, HWH, 1/4" x 5/8"
		88542			1	Screw, Cap, HH, G5, 1/4" x 1/2"
		87716			2	Screw, Cap, HH, G5, 1/4" x 1-1/4"
		87361			5	Washer, 1/4" SAE
		80682			1	Washer, Lock, 1/4"
		84942			1	Nut, 1/4"
		280129			2	Nut, Lock, GC, 1/4"
6		675162		g/h	2/1	Clamp
		570821		g/h	2/1	Screw, Thread-Forming, 5/16" x 5/8"
7		689985		g	1	Angle
8		244112		g	1	Bolt, Drilled
		80664			1	Washer, 5/16"
		34791-S36			1	Washer, Lock, 5/16", Replaces 80681
		84943			1	Nut, 5/16"
		84968			1	Nut, Jam, 5/16"
9		622263			2	Spacer
10		689988			2	Pointer
		88543		g/h	2/1	Screw, Cap, HH, G5, 5/16" x 1"
		88275		h	1	Screw, Cap, HH, G5, 5/16" x 1-1/2"
		34791-S36			2	Washer, Lock, 5/16", Replaces 80681
		84943			2	Nut, 5/16"
11		27310			1	Spring
		88543		g	1	Screw, Cap, HH, G5, 5/16" x 1"
		87362		g	3	Washer, 5/16" SAE
		84968		g	1	Nut, Jam, 5/16"
		280736		g	1	Nut, Lock, GC, 5/16"

g - Used On & BSN 706837.

h - Used On & ASN 706838.

MODEL 855 ROUND BALER

FIG. 22 - INDICATOR LINKAGE GROUP



MODEL 855 ROUND BALER

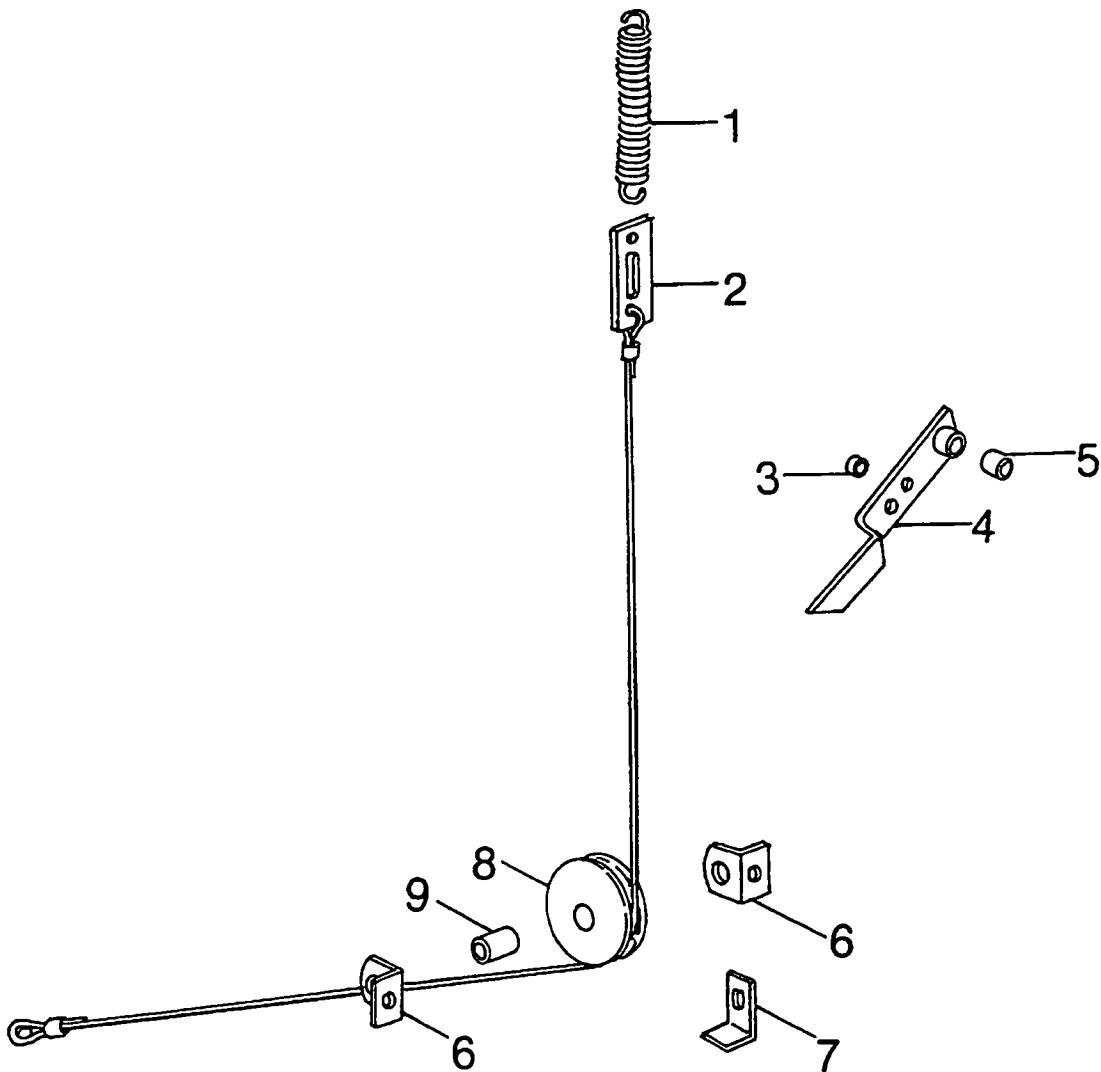
FIG. 22 - INDICATOR LINKAGE GROUP

REF	FN	PART NUMBER	FINIS	YR/SN	QTY	DESCRIPTION
12		689994			1	Cable (Bale Size Indicator)
		570821			1	Screw, Self-Tapping, 5/16" x 5/8"
13		689987			2	Angle
14		696365			2	Spacer
15		510932			2	Pulley
		280127			2	Screw, Machine, HWH, 5/16" x 1"
		145458			2	Nut, Lock, 5/16" USR
16		689986			4	Angle
		256873			4	Screw, Lock, 5/16" x 1/2" USR
		145458			4	Nut, Lock, 5/16" USR
17		689990			1	Angle
18		689989			1	Plate
19		217208			1	Spring
		87399			1	Pin, Cotter, 3/16" x 1-3/4"
20		577927			2	Clamp, Hose
		271288			2	Screw, Lock, 5/16" x 5/8" USR
		145458			2	Nut, Lock, 5/16" USR
21		87364		h	2	Washer, 1/2" SAE
22		9618075		h	2	Washer, Replaces 251395
23		147095		h	1	Shim

h - Used On & ASN 706838.

MODEL 855 ROUND BALER

FIG. 23 - TWINE WRAPPER INDICATOR GROUP USED ON & ASN 706838



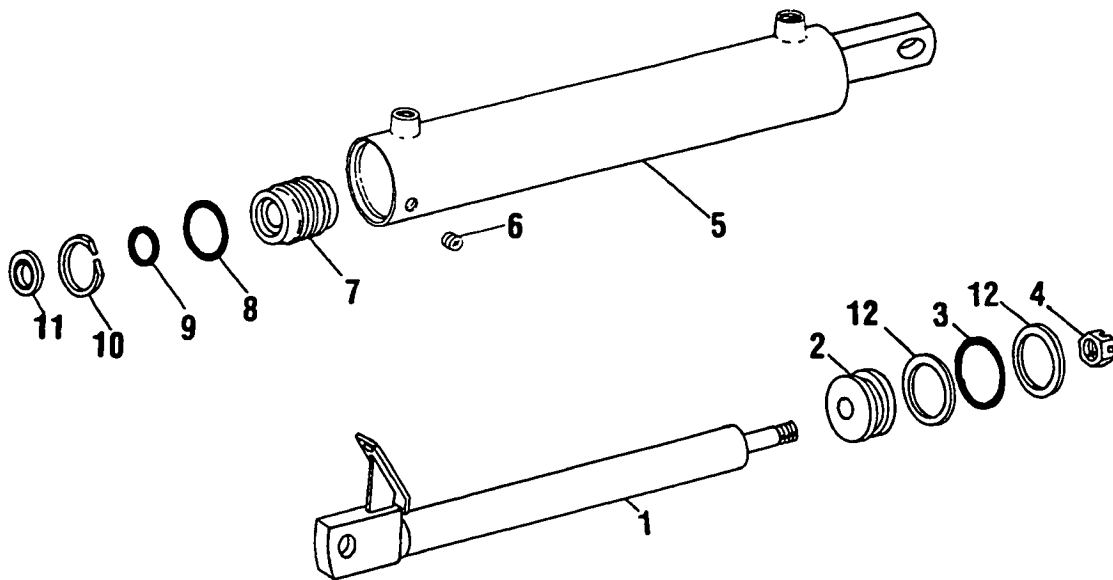
MODEL 855 ROUND BALER

FIG. 23 - TWINE WRAPPER INDICATOR GROUP -
USED ON & ASN 706838

REF	FN	PART NUMBER	FINIS	YR/SN	QTY	DESCRIPTION
1		510361			1	Spring
		88544			1	Screw, Cap, HH, G5, 5/16" x 2"
		80664			8	Washer, 5/16"
		145458			1	Nut, Lock, 5/16" USR
		280736			1	Nut, Lock, GC, 5/16"
2		795423			1	Cable Assy., Twine Wrapper Indicator
		88146			1	Screw, Cap, HH, G5, 1/4" x 1"
		44720-S36DS			2	Washer, 1/4", Replaces 80701
		80702			1	Washer, 3/8"
		87363			2	Washer, 7/16" SAE
		80682			1	Washer, Lock, 1/4"
		80756			1	Pin, Cotter, 1/8" x 3/4"
		523282			1	Nut, Lock, 1/4" USR
3		25457			1	Spacer
4		795419			1	Pointer Weld Assy.
		88275			1	Screw, Cap, HH, G5, 5/16" x 1-1/2"
		80664			2	Washer, 5/16"
		87365			1	Washer, 5/8" SAE
		34791-S36			1	Washer, Lock, 5/16", Replaces 80681
		145458			1	Nut, Lock, 5/16" USR
5		516914			1	Bushing
6		689986			2	Angle
		256873			2	Screw, Lock, 5/16" x 1/2" USR
		145458			2	Nut, Lock, 5/16" USR
7		689987			1	Angle
8		510932			1	Pulley
		713155			1	Screw, Lock, 5/16" x 1" USR
		145458			1	Nut, Lock, 5/16" USR
9		696365			1	Spacer

MODEL 855 ROUND BALER

FIG. 24 - CYLINDER ASSEMBLY



MODEL 855 ROUND BALER

FIG. 24 - CYLINDER ASSEMBLY

REF	FN	PART NUMBER	FINIS	YR/SN	QTY	DESCRIPTION
1		785810			1	Cylinder Assy., Complete, Replaces 596022
		596021			1	Rod Weld Assy.
2	(1)	768213			1	Piston, Replaces 511953
3	(1)				1	Seal, Oil
4		280724			1	Nut, Lock, 3/4" NF, Replaces 88095
5		591391			1	Barrel Weld Assy.
6		529034			1	Screw, Set, HSH, Self-Locking, CP, 1/4" x 1/4"
7	(2)	9620275			1	Head, Replaces 523228 & 785811
8	(1)				1	O-Ring
9	(1)				1	O-Ring
10	(1)				1	Ring, Retaining
11	(1)				1	Seal, Oil
12	(1)				2	Washer, Back-Up
		785812			AR	Kit, Seal, Replaces 766075 Includes: All Items marked W/(1)

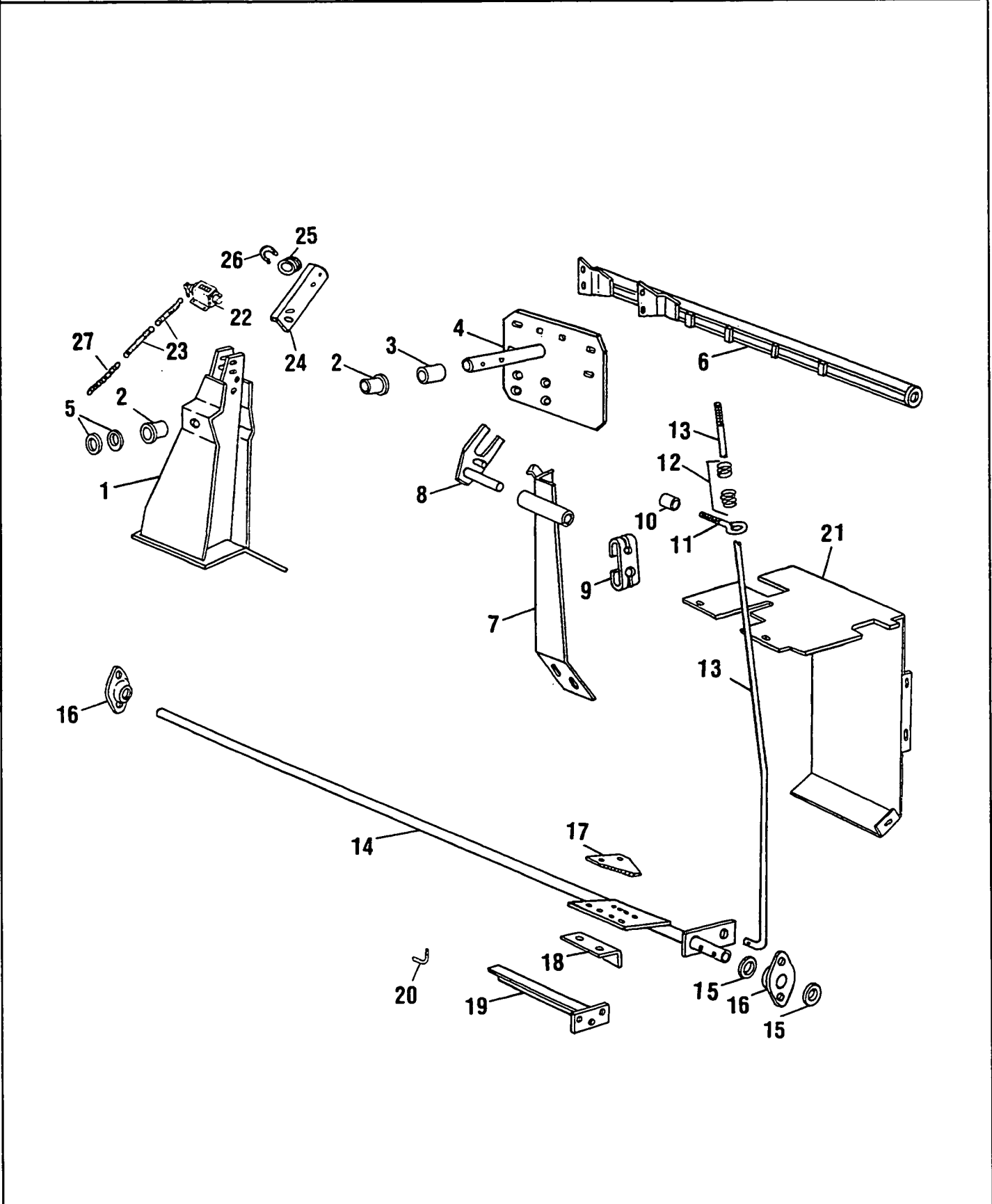
(1) - Components of Seal Kit PN 785812.

(2) - When Replacing #523228 Original Head with #785811 Head, also Order (1) #785812 Seal Kit

AR - As Required

MODEL 855 ROUND BALER

FIG. 25 - TWINE WRAPPER GROUP



MODEL 855 ROUND BALER

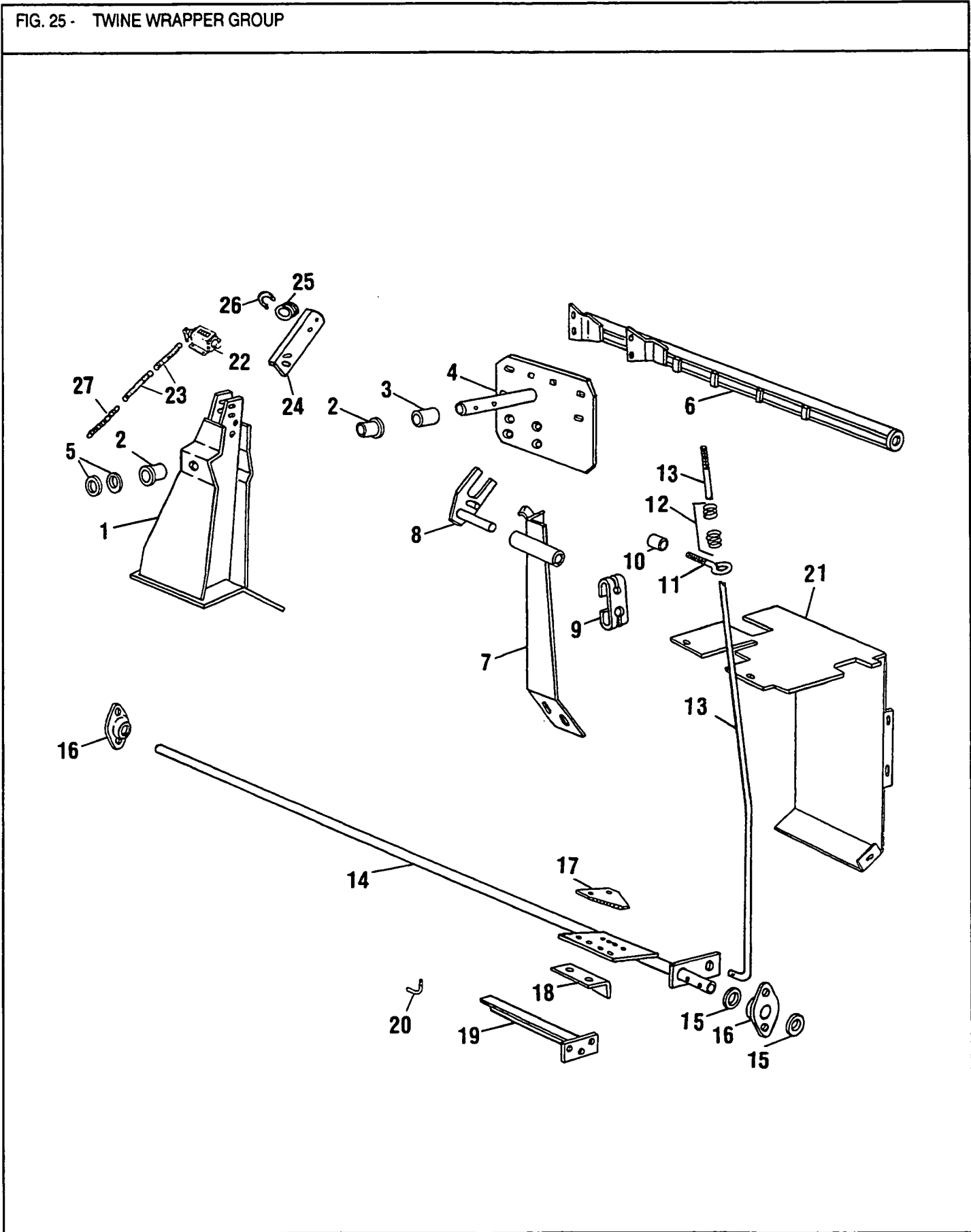
FIG. 25 - TWINE WRAPPER GROUP

REF	FN	PART NUMBER	FINIS	YR/SN	QTY	DESCRIPTION
1		647187			1	Support Weld Assy.
		255918			4	Screw, Lock, 3/8" x 3/4" USR
2		578850			2	Bushing
3		186939			1	Bushing
4		647199			1	Plate Weld Assy.
		87397			1	Pin, Cotter, 3/16" x 1"
5		87381			2	Washer, 3/4" SAE
6		677621			1	Channel Weld Assy.
		280327			2	Bolt, Carriage, G5, 5/16" x 3/4"
		280428			2	Bolt, Carriage, G5, 5/16" x 1"
		145458			4	Nut, Lock, 5/16" USR
		87362			2	Washer, 5/16" SAE
7		647183			1	Angle Weld Assy.
		88775			1	Fitting, Lube, 1/4"-28 Short
		87689			2	Screw, Cap, HH, G5, 1/2" x 1-1/2"
		87364			AR	Washer, 1/2" SAE
		80679			2	Washer, Lock, 1/2"
8		617939			1	Trip Lever Weld Assy.
9		635304			1	Clevis
		87975			1	Screw, Cap, HH, G5, 1/2" x 2-1/4"
		87364			2	Washer, 1/2" SAE
		80679			1	Washer, Lock, 1/2"
		280431			1	Nut, 1/2"
10		11594			1	Spacer
11		572710			1	Bolt, Eye
		87016			3	Washer, 3/8" SAE
		88902			1	Nut, Lock, GC, 3/8"
12		42622			2	Spring
13		647819			1	Rod
		87016			5	Washer, 3/8" SAE
		84944			4	Nut, 3/8"
		280250			1	Pin, Cotter, 3/32" x 3/4"
14		647193			1	Tube Weld Assy.
		72071-S36DS			2	Pin, Cotter, 1/8" x 1-1/2", Replaces 80708
15		25069			AR	Washer, Special
16		608566			2	Bearing
		255918			4	Screw, Lock, 5/16" x 1" USR
17		608145			1	Knife Section, Smooth
		84821			2	Screw, Machine, Truss Hd., #10 x 1/2"
		87553			2	Washer, Lock, #10, Ext. T
		87304			2	Nut, #10
		88612			2	Washer, #10

AR - As Required

MODEL 855 ROUND BALER

FIG. 25 - TWINE WRAPPER GROUP



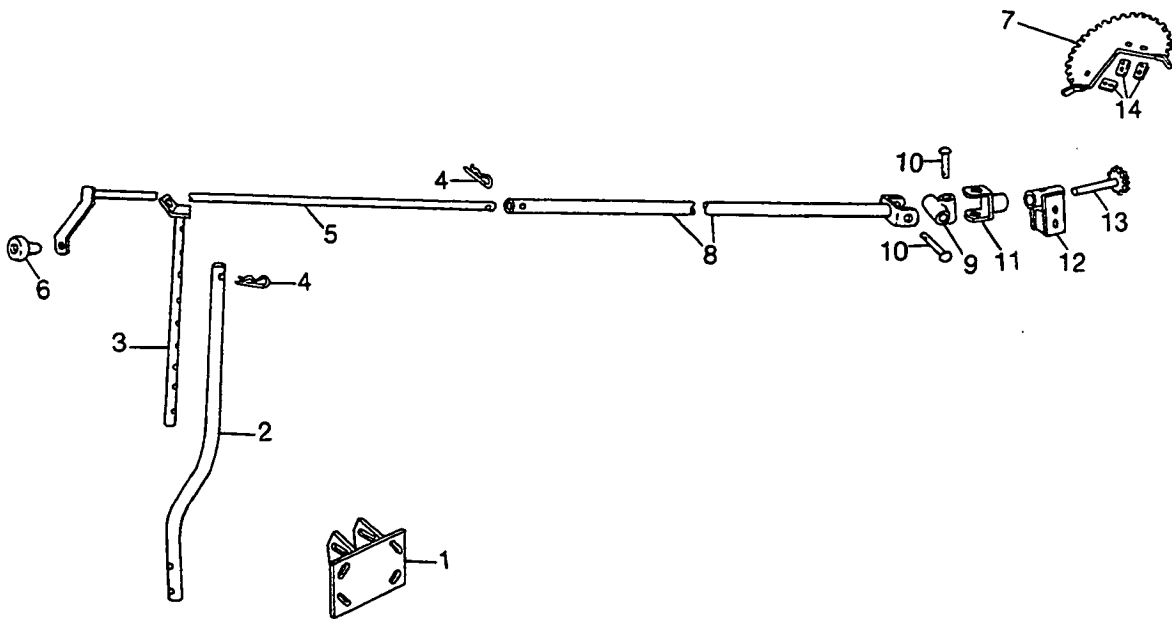
MODEL 855 ROUND BALER

FIG. 25 - TWINE WRAPPER GROUP

REF	FN	PART NUMBER	FINIS	YR/SN	QTY	DESCRIPTION
18		630718			1	Angle
		714555			2	Screw, Lock, 3/8" x 1" USR
		80702			2	Washer, 3/8"
		80680			2	Washer, Lock, 3/8"
		84944			2	Nut, 3/8"
19		640450			1	Angle Weld Assy.
		255918			3	Screw, Lock, 5/16" x 1" USR
20		623796			1	Rod
		145458			4	Nut, Lock, 5/16" USR
21		688386			1	Shield
		677808			5	Screw, Self-Tapping, 1/4" x 5/8"
22		44720-S36DS			1	Washer, 1/4", Replaces 80701
		26995			1	Bale Counter Includes: Mounting Hardware
		70047			1	Lever, W/Clamp Screw
	70643			1	Knob, Reset, W/Set Screw	
23		197717			1	Spring
		87394			1	Pin, Cotter, 1/8" x 1/2"
24		762758			1	Bracket
		280428			2	Bolt, Carriage, G5, 5/16" x 1"
		87362			2	Washer, 5/16" SAE
		84943			2	Nut, 5/16"
25		28110			1	Guide, Twine
26		28114			1	U-Bolt
		80684			2	Washer, Lock, #10
27		87304			2	Nut, #10
		795301			1	Chain
		87397			1	Pin, Cotter, 3/16" x 1"
		41613			1	S-Hook
		87364			1	Washer, 1/2" SAE

MODEL 855 ROUND BALER

FIG. 26 - TWINE WRAPPER KIT MANUAL CONTROL USED ON & BSN 706837



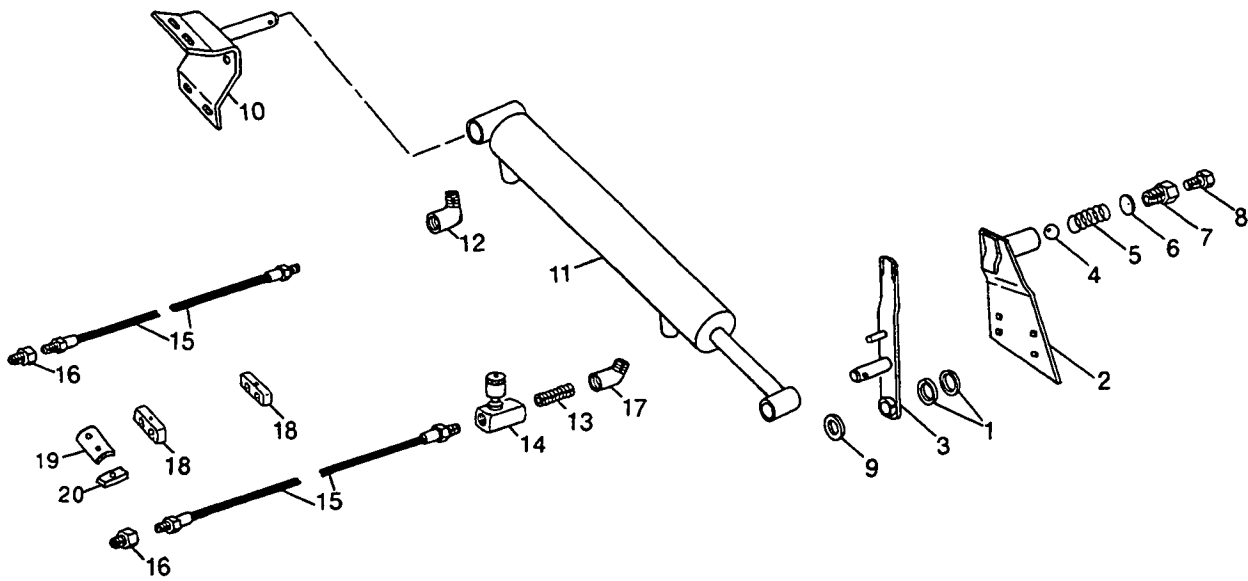
MODEL 855 ROUND BALER

FIG. 26 - TWINE WRAPPER KIT
MANUAL CONTROL -
USED ON & BSN 706837

REF	FN	PART NUMBER	FINIS	YR/SN	QTY	DESCRIPTION
1		647458			1	Mount Weld Assy.
		88682			4	Bolt, Carriage, G5, 3/8" x 1"
		87016			4	Washer, 3/8" SAE
		80680			4	Washer, Lock, 3/8"
		84944			4	Nut, 3/8"
2		289194			1	Tube
		87936			2	Screw, Cap, HH, G5, 3/8" x 2-1/2"
		87016			2	Washer, 3/8" SAE
		80680			2	Washer, Lock, 3/8"
		84944			2	Nut, 3/8"
3		717064			1	Support Weld Assy.
		33778			2	Cotter, Hairpin
4		283033			1	Arm Weld Assy.
		33781			1	Knob
5		87936			1	Screw, Cap, HH, G5, 3/8" x 2-1/2"
		87016			1	Washer, 3/8" SAE
6		84944			1	Nut, 3/8"
		647175			1	Gear Segment Weld Assy.
7		283032			1	Yoke Weld Assy.
		35717			1	Block, Universal
8		87414			1	Fitting, Lube, 1/4"-28
		15081			2	Rivet, Drilled
9		80702			2	Washer, 3/8"
		80756			2	Pin, Cotter, 1/8" x 3/4"
10		288917			1	Yoke Weld Assy.
		280315			1	Pin, Grooved, 3/16" x 1"
11		288914			1	Tube Weld Assy.
		87569			1	Fitting, Lube, 1/4"-28 x 45°
12		280428			4	Bolt, Carriage, G5, 5/16" x 1"
		87362			4	Washer, 5/16" SAE
13		34791-S36			4	Washer, Lock, 5/16", Replaces 80681
		84943			4	Nut, 5/16"
14		288919			1	Pinion Weld Assy.
		647202			3	Flat
15		280428			6	Bolt, Carriage, G5, 5/16" x 1"
		87362			6	Washer, 5/16" SAE
16		34791-S36			6	Washer, Lock, 5/16", Replaces 80681
		84943			6	Nut, 5/16"

MODEL 855 ROUND BALER

FIG. 27 - TWINE WRAPPER KIT HYDRAULIC CONTROL USED ON & BSN 706837



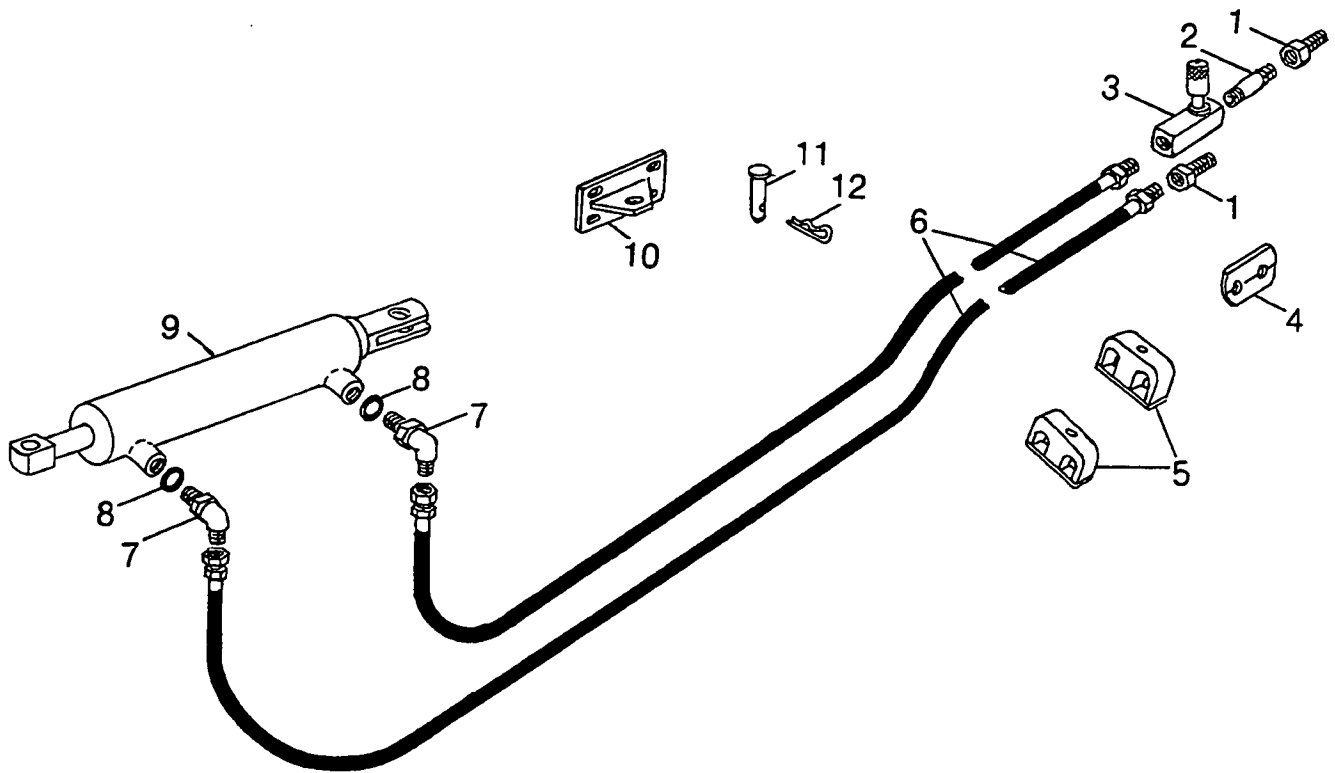
MODEL 855 ROUND BALER

FIG. 27 - TWINE WRAPPER KIT
HYDRAULIC CONTROL -
USED ON & BSN 706837

REF	FN	PART NUMBER	FINIS	YR/SN	QTY	DESCRIPTION
1		195903			3	Shim
2		603241			1	Plate Weld Assy.
		87414			1	Fitting, Lube, 1/4"-28, Straight
		88463			4	Bolt, Machine, Fl. Hd., 5/16" x 1"
		34791-S36			4	Washer, Lock, 5/16", Replaces 80681
		84943			4	Nut, 5/16"
3		691689			1	Bracket Weld Assy.
		87414			1	Fitting, Lube, 1/4"-28, Straight
4		602505			1	Ball, Steel
5		602506			1	Spring
6		603153			1	Plug
7		603149			1	Reducer
8		88616			1	Bolt, Machine, HH, G5, Full Thread, 3/8" x 1-1/2"
		84944			1	Nut, 3/8"
9		87381			2	Washer, 3/4" SAE
10		647174			1	Mount Weld Assy.
		87689			4	Screw, Cap, HH, G5, 1/2" x 1-1/2"
		87364			6	Washer, 1/2" SAE
		80679			4	Washer, Lock, 1/2"
11		592745			1	Cylinder Assy. (Refer to Separate Breakdown)
		87364			4	Washer, 1/2" SAE
		87397			2	Pin, Cotter, 3/16" x 1"
12		84302			1	Elbow, Pipe, Street, 90°, 1/8"
13		84001			2	Nipple, Pipe, 1/8" x 3/4"
14		578946			1	Valve, Adjustable Restrictor
15		610038			2	Hose Assy., 1/4" x 108" W/ 1/8" Fittings (6.35mm x 2743mm)
16		88908			2	Bushing, Pipe, Hex Reducing, 1/2" x 1/8"
17		84383			1	Elbow, Pipe, Street, 45°, 1/8"
18		604893			2	Clamp, Hose Retaining
		300862-S36			2	Screw, Cap, HH, G5, 1/4" x 2", Replaces 87404
		280129			2	Nut, Lock, GC, 1/4"
19		613650			1	Strap
20		621326			2	Pad
		300862-S36			2	Screw, Cap, HH, G5, 1/4" x 2", Replaces 87404
		280129			2	Nut, Lock, GC, 1/4"

MODEL 855 ROUND BALER

FIG. 28 - HYDRAULIC TWINE WRAPPER GROUP USED ON & ASN 706838



MODEL 855 ROUND BALER

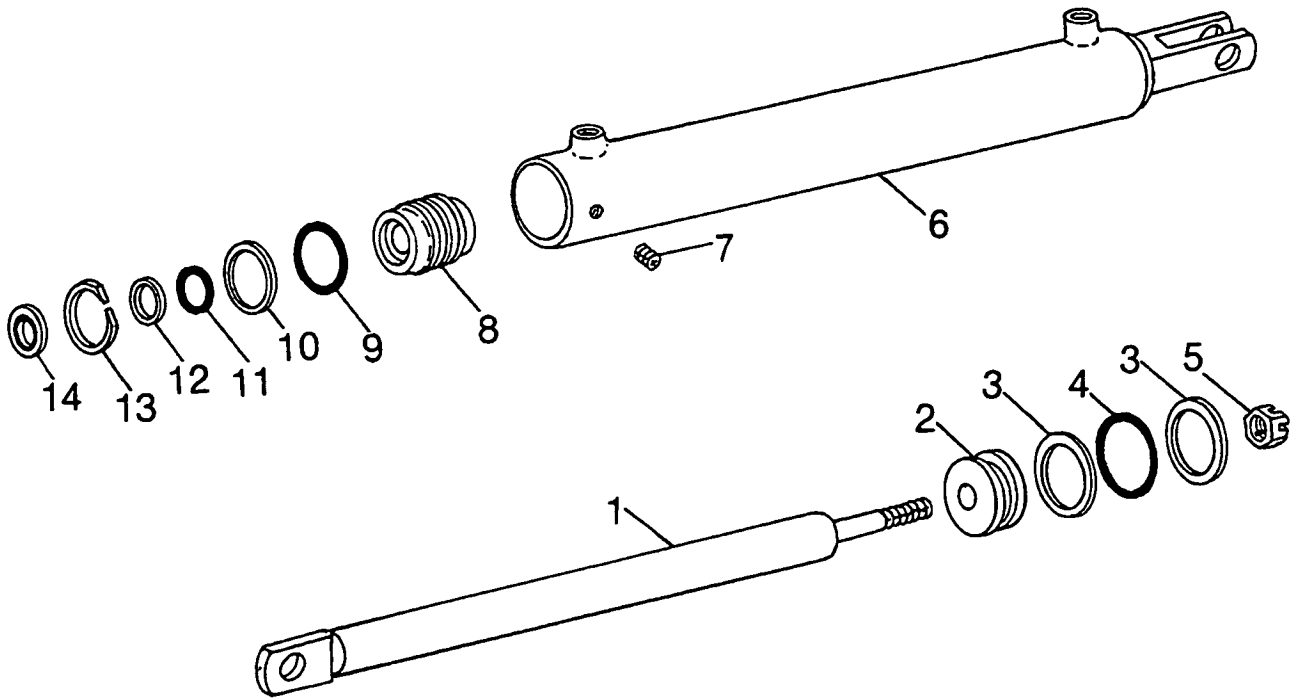
FIG. 28 - HYDRAULIC TWINE WRAPPER GROUP -
USED ON & ASN 706838

REF	FN	PART NUMBER	FINIS	YR/SN	QTY	DESCRIPTION
1		88908			2	Bushing, Hex
2		84001			1	Nipple, 1/8" x 3/4"
3		578946			1	Restriction
4		613650			1	Strap
		280112			2	Screw, Cap, HH, G5, 1/4" x 1-1/2"
		280129			2	Nut, Lock, GC, 1/4"
5		625822			2	Clamp, Hose Retaining
		280112			2	Screw, Cap, HH, G5, 1/4" x 1-1/2"
		280129			2	Nut, Lock, GC, 1/4"
6		795551			2	Hose
7		86326-S36			2	Elbow Assy., 90°...Replaces 76344 Includes: Ref. 8
8		9617873			2	O-Ring
9		763100			1	Cylinder Assy. (Refer to Separate Breakdown)
		304834-S36			1	Screw, Cap, HH, G5, 1/2" x 2", Replaces 88552
		80679			4	Washer, 1/2"
		84970			1	Nut, Hex Jam, 1/2"
		280431			1	Nut, Hex, 1/2"
10		855356		j	1	Cylinder Mount Weld Assy.
		855292		k	1	Cylinder Mount Weld Assy.
		88011			4	Screw, Cap, HH, G5, 3/8" x 1-1/4"
		80702			4	Washer, 3/8"
		80680			4	Washer, Lock, 3/8"
11		788369			1	Pin, Clevis
12		37851			1	Cotter, Hairpin

j - Used On & BSN 733139.
k - Used On & ASN 733140.

MODEL 855 ROUND BALER

FIG. 29 - HYDRAULIC TWINE WRAPPER GROUP, CYLINDER ASSEMBLY USED ON & ASN 706838



MODEL 855 ROUND BALER

FIG. 29 - HYDRAULIC TWINE WRAPPER GROUP
CYLINDER ASSEMBLY -
USED ON & ASN 706838

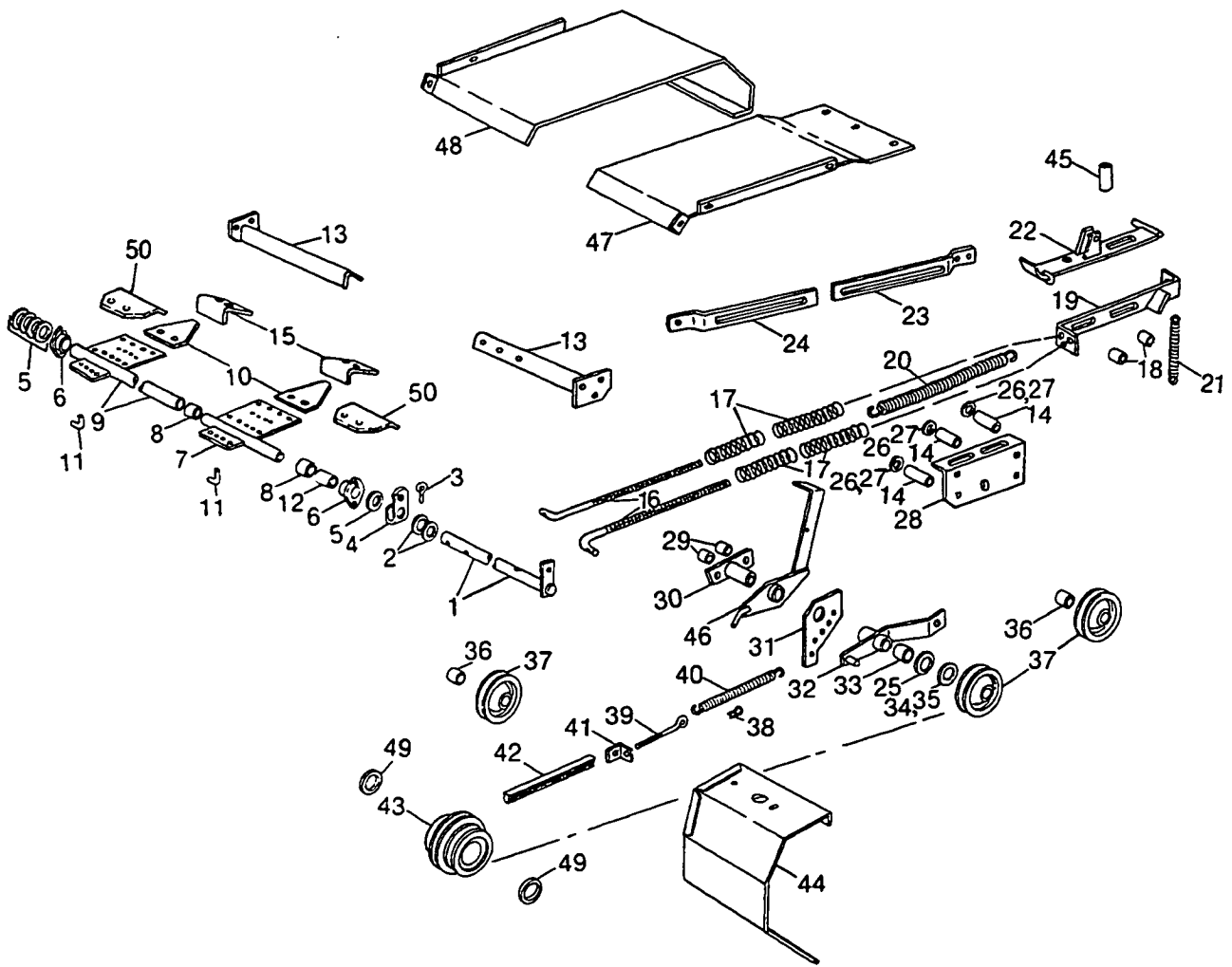
REF	FN	PART NUMBER	FINIS	YR/SN	QTY	DESCRIPTION
1		763100			1	Cylinder Assy., Complete
2		769553			1	Rod Weld Assy.
3	(1)	769555			2	Piston
4	(1)				1	Washer, Back-Up
					1	O-Ring
5		88130			1	Nut, Lock, GB, 1/2" USR
6		769557			1	Barrel Weld Assy.
7		529034			1	Screw, Set, HSH, Self-Locking CP, 1/4" x 1/4"
8		769556			1	Head
9	(1)				1	O-Ring
10	(1)				1	Washer, Back-Up
11	(1)				1	O-Ring
12	(1)				1	Washer, Back-Up
13	(1)				1	Ring, Retaining
14	(1)				1	Seal
		784339			AR	Kit, Seal Includes: Items marked with (1)

(1) - Components of Seal Kit P/N 784339.

AR - As Required

MODEL 855 ROUND BALER

FIG. 30 - SECTION #1 AUTOMATIC TWINE WRAPPER



MODEL 855 ROUND BALER

FIG. 30 - SECTION #1 AUTOMATIC TWINE WRAPPER

REF	FN	PART NUMBER	FINIS	YR/SN	QTY	DESCRIPTION
1		608929			1	Support Weld Assy.
2		87365			AR	Washer, 5/8" SAE
3		87397			1	Pin, Cotter, 3/16" x 1"
4		609188			1	Clamp
		87936			1	Screw, Cap, HH, G5, 3/8" x 2-1/2"
		285072			2	Washer, Hardened
		88902			1	Nut, Lock, GC, 3/8"
5		26402			AR	Washer
6		608566			2	Bearing, Nylon
		255918			2	Screw, Lock, 3/8" x 3/4" USR
		88436			2	Screw, Cap, HH, 3/8" x 2"
		280295			2	Washer, Lock, Ext. T, 3/8"
7		9620420			1	Tube Weld Assy., Replaces 640444 Includes: Ref. 8
8		617768			2	Bushing
9		9620421			1	Tube Weld Assy., Replaces 640446
		72071-S36DS			1	Pin, Cotter, 1/8" x 1-1/2", Replaces 80708
		280699			2	Screw, Cap, HSH, 5/16" x 1-1/4"
		280736			2	Nut, Lock, GC, 5/16"
10	(1)	608145			2	Knife, Twine
	(1)(2)	617945			2	Knife, Twine
		84821			4	Screw, Machine, Truss Hd., #10 x 1/2"
		87553			4	Washer, Lock, #10, Ext. T
		87304			4	Nut, #10
11		623796			2	Rod
		145458			4	Nut, Lock, 5/16" USR
12		716480			2	Spacer
13		640450			2	Angle Weld Assy.
		255918			6	Screw, Lock, 3/8" x 3/4" USR
14		647474			3	Tube
		48527				Shim
15		630718			2	Angle
		88206			4	Screw, Cap, HH, G5, 3/8" x 1"
		80702			8	Washer, 3/8"
		80680			4	Washer, Lock, 3/8"
		84944			4	Nut, 3/8"

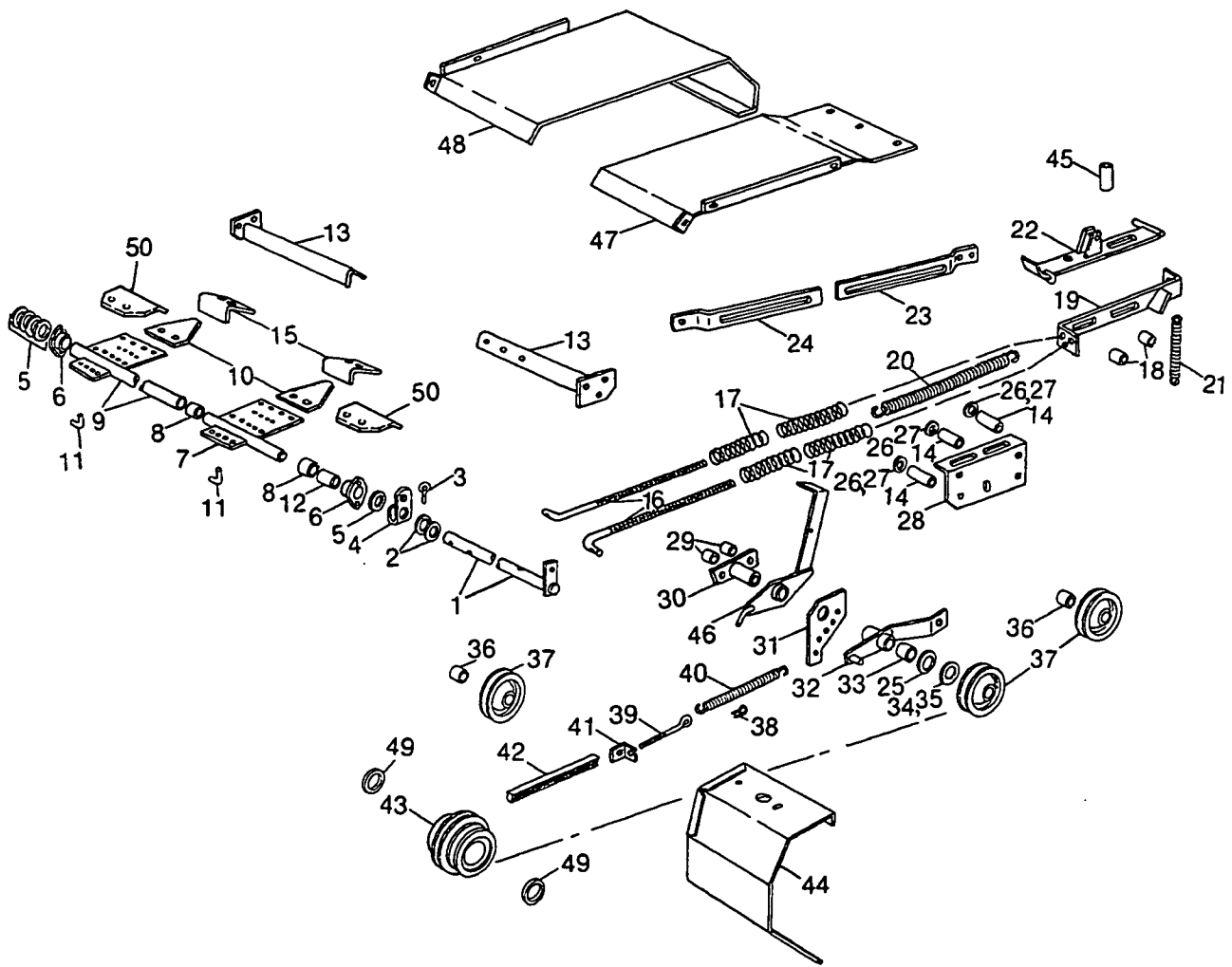
(1) - Either the sickle knife section or the surgical knife section can be used. P/N 608145 is a smooth knife section while PN 617945 is a hard chrome plated knife section.

(2) - P/N 617945 is standard equipment on machines ASN 837221.

AR - As Required

MODEL 855 ROUND BALER

FIG. 30 - SECTION #1 AUTOMATIC TWINE WRAPPER



MODEL 855 ROUND BALER

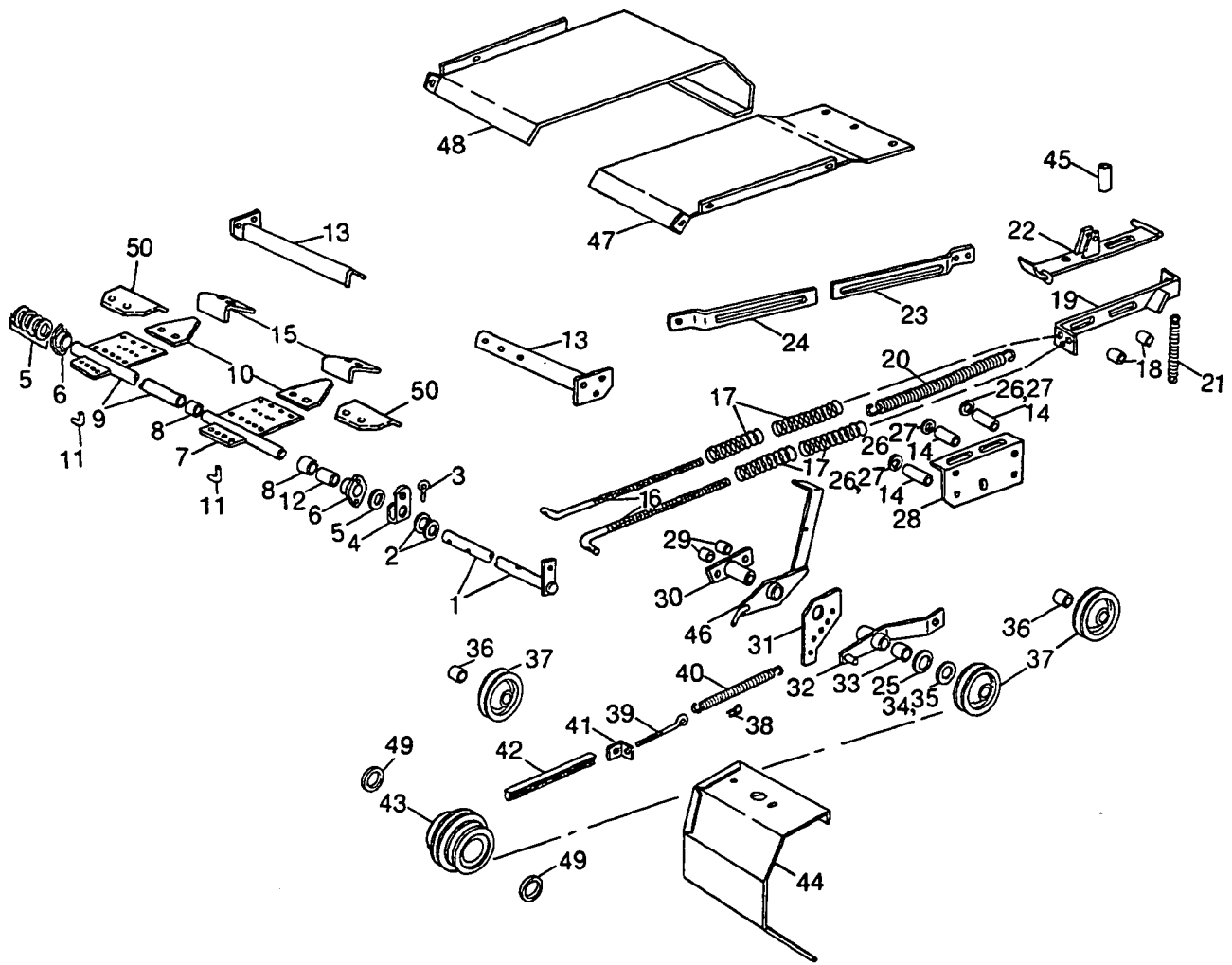
FIG. 30 - SECTION #1 AUTOMATIC TWINE WRAPPER

REF	FN	PART NUMBER	FINIS	YR/SN	QTY	DESCRIPTION
16		640443			2	Rod
		87016			10	Washer, 3/8" SAE
		80756			2	Pin, Cotter, 1/8" x 3/4"
		84944			4	Nut, 3/8"
		88902			2	Nut, Lock, GC, 3/8"
17		42622			4	Spring
18		573515			2	Bushing
19		287333			1	Plate Weld Assy.
		88011			1	Screw, Cap, HH, G5, 3/8" x 1-1/4"
		88428			1	Screw, Cap, HH, G5, 3/8" x 1-3/4"
		9827956			2	Washer, Hardened, Replaces 602590
		623303			2	Washer
		80680			2	Washer, Lock, 3/8"
		84944			2	Nut, 3/8"
		88902			1	Nut, Lock, GC, 3/8"
20		32379			1	Spring
21		27310			1	Spring
22		774729			1	Slide Weld Assy., Replaces 684216
23		684214			1	Link
		88543			1	Screw, Cap, HH, G5, 5/16" x 1"
		280736			1	Nut, Lock, GC, 5/16"
24		684215			1	Link
		88206			2	Screw, Cap, HH, G5, 3/8" x 1"
		9827956			2	Washer, Replaces 602590
		88902			2	Nut, Lock, GC, 3/8"
		87364			1	Washer, 1/2" SAE
		87397			1	Pin, Cotter, 3/16" x 1"
25		26130			AR	Washer
26		58011			AR	Shim
27		80702			AR	Washer, 3/8"
28		684217			1	Plate
		88546			1	Screw, Cap, HH, G5, 3/8" x 3-3/4"
		80702			2	Washer, 3/8"
		80680			1	Washer, Lock, 3/8"
		84944			1	Nut, 3/8"
29		29711			2	Spacer
30		630479			1	Shaft Weld Assy.
		88548			2	Screw, Cap, HH, G5, 3/8" x 4-1/2"
		80702			3	Washer, 3/8"
		80680			2	Washer, Lock, 3/8"
		84944			2	Nut, 3/8"

AR - As Required

MODEL 855 ROUND BALER

FIG. 30 - SECTION #1 AUTOMATIC TWINE WRAPPER



MODEL 855 ROUND BALER

FIG. 30 - SECTION #1 AUTOMATIC TWINE WRAPPER

REF	FN	PART NUMBER	FINIS	YR/SN	QTY	DESCRIPTION
31		676187			1	Bracket
32		643381			1	Arm Weld Assy. Includes: Ref. 33
33		105968			1	Bushing
34		257314			1	Washer
35		124150			AR	Washer, Special
36		35370		c/d	1/2	Spacer
37		118950		c/d	2/3	Idler
		87975			1	Screw, Cap, HH, G5, 1/2" x 2-1/4"
		304905-S36			2	Screw, Cap, HH, G5, 1/2" x 2-3/4", Replaces 87974
		80679			3	Washer, Lock, 1/2"
		280431			2	Nut, 1/2"
		87364			AR	Washer, 1/2" SAE
38		129365			1	Cotter, Hairpin
39		144403			1	Bolt, Eye
		87362			2	Washer, 5/16" SAE
		84943			2	Nut, 5/16"
40		175046			1	Spring
41		701576				Angle
		88206			1	Screw, Cap, HH, G5, 3/8" x 1"
		80680			1	Washer, Lock, 3/8"
42		286497		c	1	V-Belt
		713281		d	1	V-Belt
43		675617		c	1	Sheave
		764622		d	1	Sheave
		304720-S36		c	3	Screw, Cap, HH, G5, 5/16" x 1-1/4", Replaces 87657
		80759		d	1	Pin, Cotter, 3/16" x 2-1/2"
		34791-S36		c	3	Washer, Lock, 5/16", Replaces 80681
		84361		d	1	Key, Woodruff, 1/4" x 1-1/2"
44		690985			1	Shield Weld Assy.
		677808			2	Screw, Self-Tapping, HWH, 1/4" x 5/8"
		280497			3	Bolt, Short Sq. Neck, G5, RDH 5/16" x 3/4"
		145458			3	Nut, Lock, 5/16" USR
45		684574			1	Spacer
		87936			1	Screw, Cap, HH, G5, 3/8" x 2-1/2"
		87016			1	Washer, 3/8" SAE
		88902			1	Nut, Lock, GC, 3/8"
46		684230		c	1	Trip Handle Weld Assy.
		764625		d	1	Trip Handle Weld Assy.
47		644725			1	Knife Shield, R.H.
		677808			3	Screw, Self-Tapping, HWH, 1/4" x 5/8"
48		786798			1	Shield, Knife, L.H., Replaces 644724
		677808			5	Screw, Self-Tapping, HWH, 1/4" x 5/8"
49		58821		d	AR	Washer
50	(1)	9620422			2	Shield

(1) - Shield P/N 9620422 is Standard Equipment on Machines On & ASN 837221. This Shield is Used to Cover the Sharp Edge of the Knife.

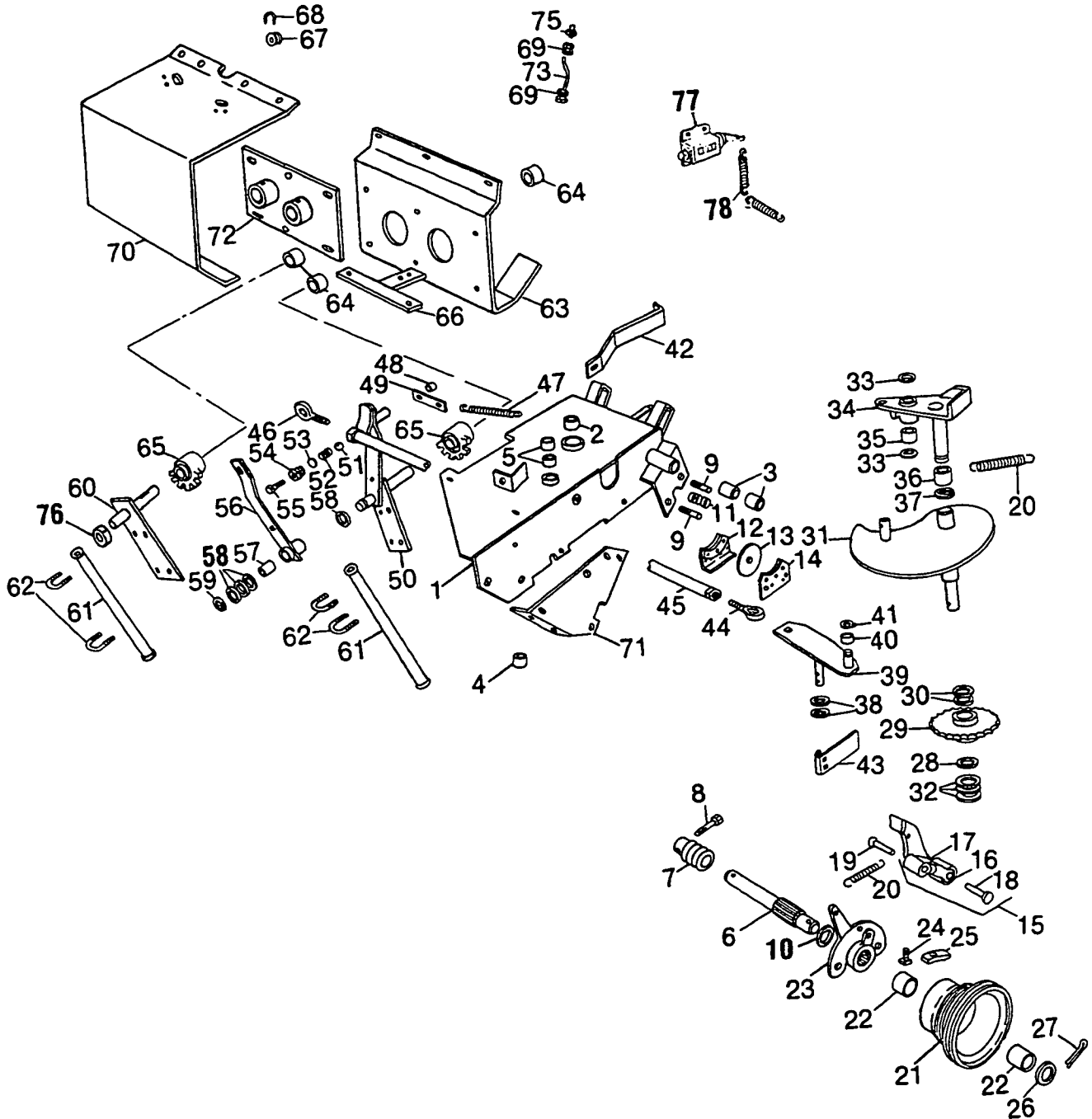
c - Used On & BSN 680739.

d - Used On & ASN 680740.

AR - As Required

MODEL 855 ROUND BALER

FIG. 31 - SECTION #2 AUTOMATIC TWINE WRAPPER



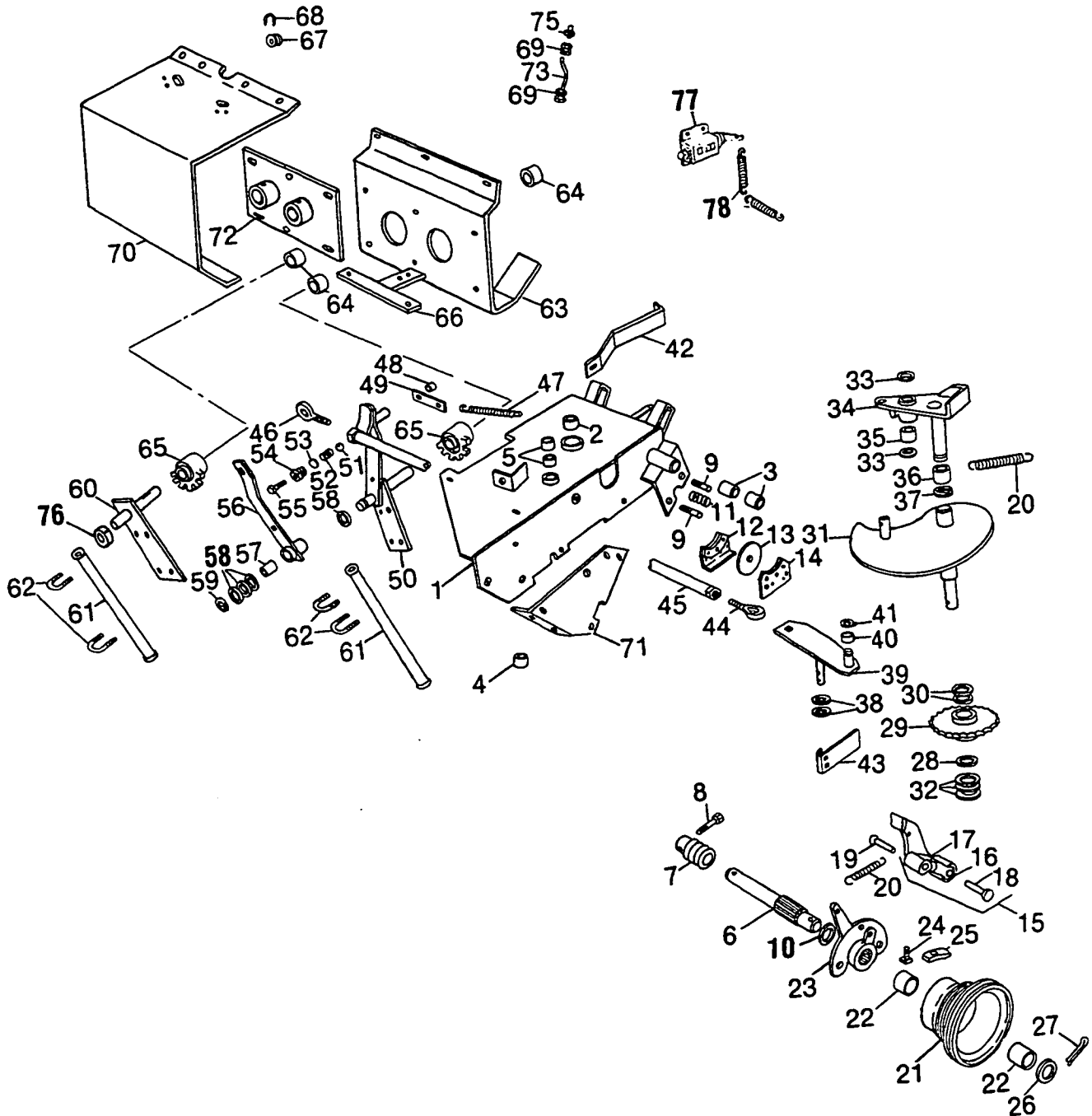
MODEL 855 ROUND BALER

FIG. 31 - SECTION #2 AUTOMATIC TWINE WRAPPER

REF	FN	PART NUMBER	FINIS	YR/SN	QTY	DESCRIPTION
1		613812			1	Support Weld Assy. Includes: Ref. 2 thru 5
		87414			2	Fitting, Lube, 1/4"-28
		87569			1	Fitting, Lube, 1/4"-28 x 45°
		84303			1	Fitting, Lube, Female, 1/8"
		87872			4	Screw, Cap, HH, G5, 5/16" x 3/4"
		34791-S36			4	Washer, Lock, 5/16", Replaces 80681
		304768-S36			4	Nut, 5/16", Replaces 88062
2		65930			1	Bushing, 1-1/4" OD x 1-1/2" Lg. (31.75mm x 38.1mm)
3		28280			2	Bushing, 1-1/4" OD x 1" Lg. (31.75mm x 25.4mm)
4		37466			1	Bushing, 7/8" OD x 1-1/2" Lg. (22.23mm x 38.1mm)
5		66812			2	Bushing, 3/4" OD x 7/8" Lg. (19.05mm x 22.23mm)
6		613759			1	Shaft
7		287341			1	Gear, Worm
8		56358			1	Shearbolt, W/Nut
9		770210			2	Pin, Replaces 10389
		84969			4	Nut, Jam, 3/8"
10		128303			1	Washer, Special
11		37945			1	Spring
		280566			1	Screw, Cap, HH, G5, 1/4" x 2-3/4"
		280129			1	Nut, Lock, GB, 1/4"
12		791788			1	Brake Shoe Assy., L.H., Replaces 251070
13		707167			1	Disc, Brake
		88434			2	Screw, Cap, HH, G5, 3/8" x 3/4"
		80680			2	Washer, Lock, 3/8"
14		791787			1	Brake Shoe Assy., R.H., Replaces 251069
15		139870			1	Pawl Assy. Includes: Ref. 16 thru 18
16		139882			1	Spacer
17		139881			1	Roller
18		11528			1	Pin, Roller Retainer
19		27907			1	Pin, Pawl Retainer
20		00018			2	Spring
21		611450			1	Sheave Includes: Ref. 22
		87414			1	Fitting, Lube, 1/4"-28
22		44775			2	Bushing

MODEL 855 ROUND BALER

FIG. 31 - SECTION #2 AUTOMATIC TWINE WRAPPER



MODEL 855 ROUND BALER

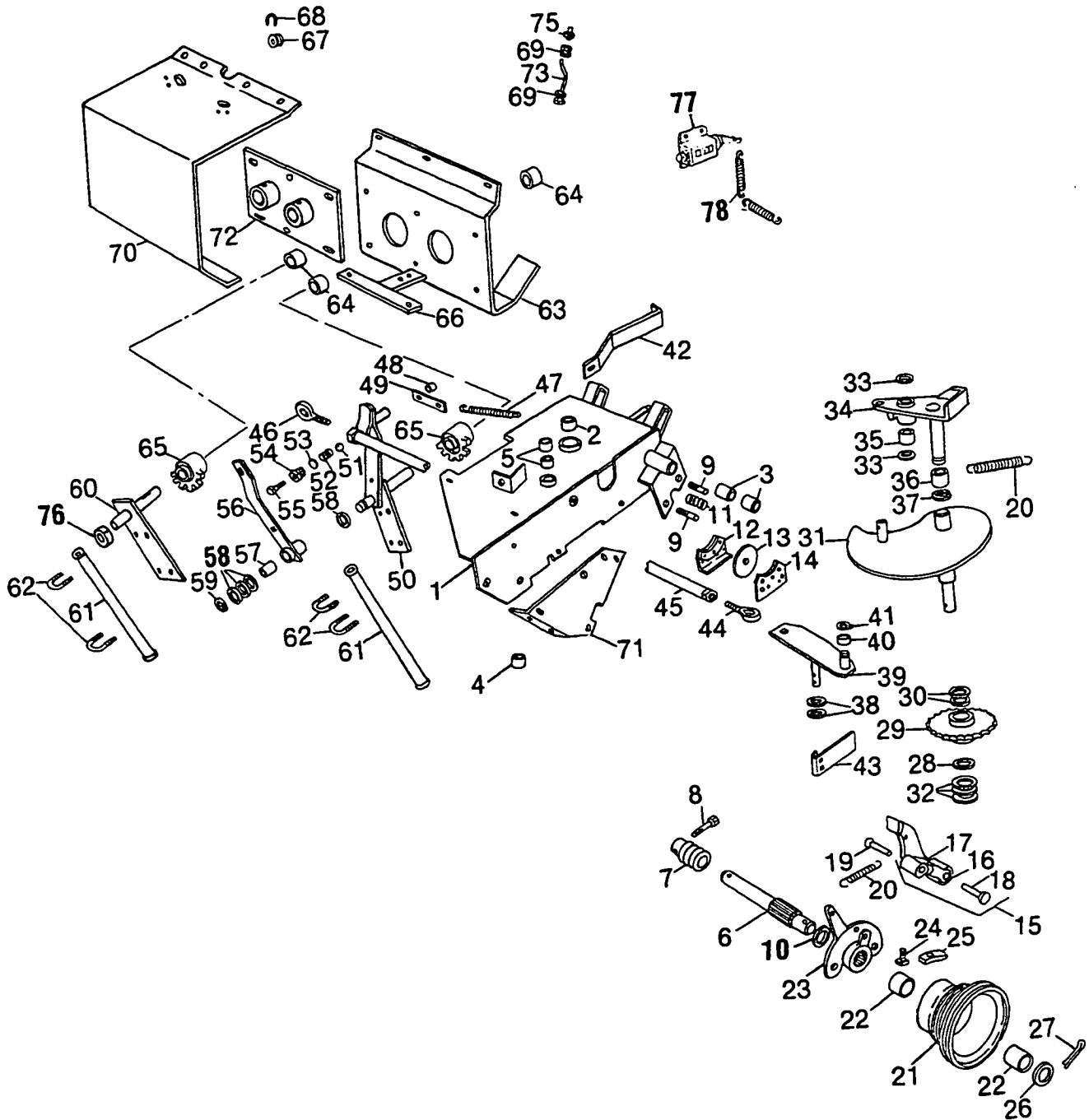
FIG. 31 - SECTION #2 AUTOMATIC TWINE WRAPPER

REF	FN	PART NUMBER	FINIS	YR/SN	QTY	DESCRIPTION
23		613628			1	Clutch
24		84443			1	Bolt, Machine, Sq. Hd., 3/8" x 3/4"
		80680			1	Washer, Lock, 3/8"
		84944			1	Nut, 3/8"
25		613433			1	Latch
		280266			1	Screw, Cap, HH, G5, 3/8" x 3/4" UNF
		80680			1	Washer, Lock, 3/8"
26		255071			1	Washer, Special
27		87399			1	Pin, Cotter, 3/16" x 1-3/4"
28		50600			1	Washer, Special
29		614328			1	Gear, Worm
30		33212			AR	Washer, Special
31		679146			1	Cam Weld Assy.
		87415			1	Fitting, Lube, 1/4"-28 x 90°
		87398			1	Pin, Cotter, 3/16" x 1-1/4"
32		34069			AR	Washer, Special
33		26382			2	Washer
34		624524			1	Trip Assy. Includes: Ref. 35
35		80755			1	Pin, Cotter, 1/8" x 1"
		12432			1	Bushing
36		622346			1	Bushing, Nylon
37		272464			1	Ring, Retaining
38		249100			AR	Washer, Special
39		634067			1	Cam Follower Weld Assy.
		87414			1	Fitting, Lube, 1/4"-28
		87395			1	Pin, Cotter, 1/8" x 1-1/4"
40		161351			1	Spacer
41		702568			1	Ring, Retaining
42		709988			1	Shield
		87667			2	Screw, Self-Tapping, HH, 1/4" x 1/2"
		87361			2	Washer, 1/4" SAE
43		716441			1	Indicator
		87493			2	Bolt, RDH, Short Sq. Neck, 1/4" x 1-1/4"
		523282			2	Nut, Lock, 1/4", USR

AR - As Required

MODEL 855 ROUND BALER

FIG. 31 - SECTION #2 AUTOMATIC TWINE WRAPPER



MODEL 855 ROUND BALER

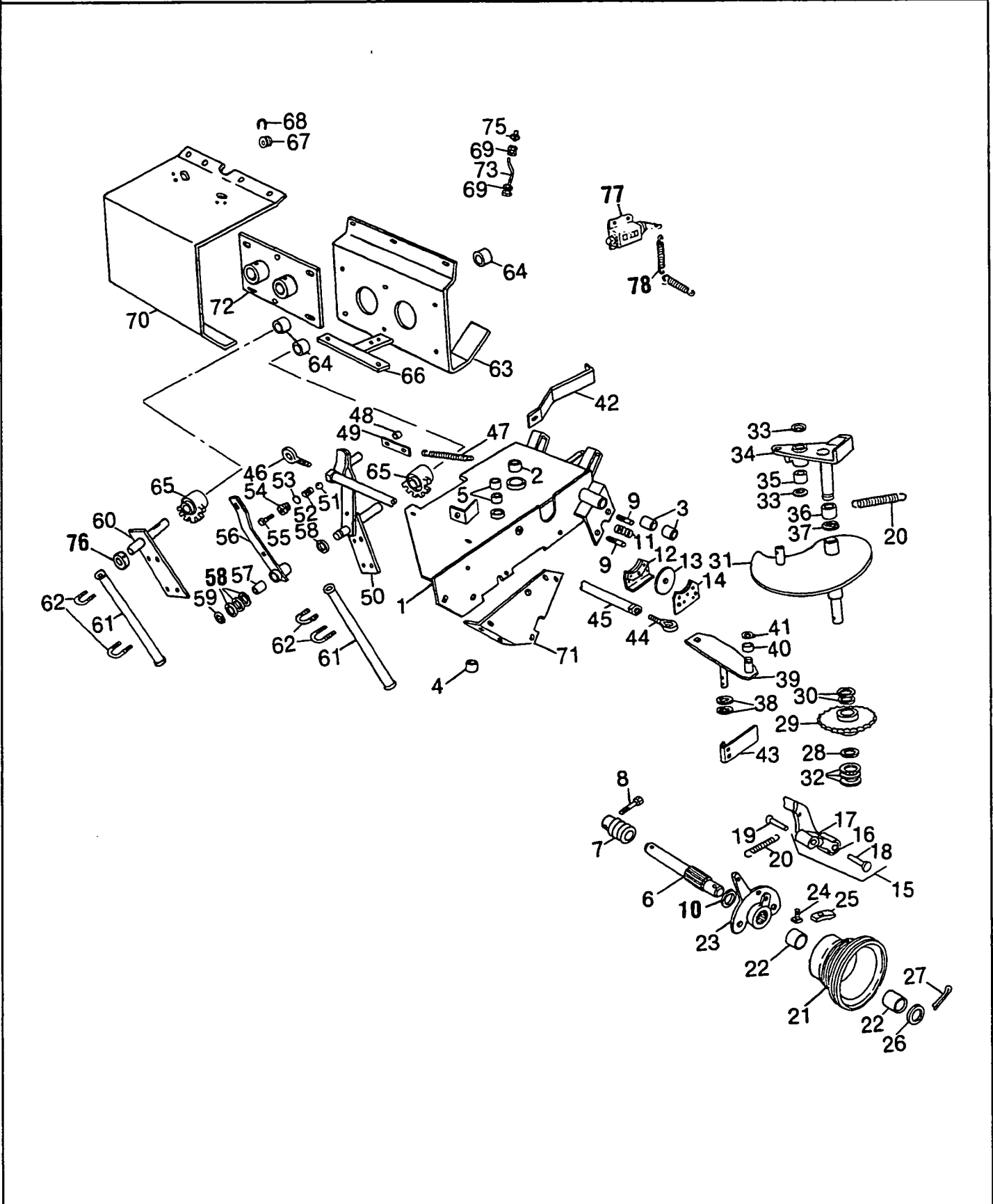
FIG. 31 - SECTION #2 AUTOMATIC TWINE WRAPPER

REF	FN	PART NUMBER	FINIS	YR/SN	QTY	DESCRIPTION
44		618883			1	Rod, End, L.H. Thread
		88530			1	Bolt, Carriage, G5, 1/2" x 1-3/4"
		511684			1	Washer
		88871			1	Nut, Lock, GC, 1/2"
45		640460			1	Drag Link Weld Assy.
		280963			1	Nut, 1/2" UNF
		88058			1	Nut, 1/2" UNF, L.H.
46		614445			1	Rod End, R.H. Thread
		88530			1	Bolt, Carriage, G5, 1/2" x 1-3/4"
		87365			2	Washer, 5/8" SAE
		87364			1	Washer, 1/2" SAE
47		768953			1	Spring, Replaces 56765
48		28384			1	Spacer
49		714611			1	Strap
		88011			1	Screw, Cap, HH, G5, 3/8" x 1-1/4"
		87016			1	Washer, 3/8" SAE
		80680			1	Washer, Lock, 3/8"
		84944			1	Nut, 3/8"
50		679322			1	Bracket Weld Assy.
		87414			1	Fitting, Lube, 1/4"-28
51		602505			1	Ball, Steel
52		602506			1	Spring
53		603153			1	Plug
54		603149			1	Reducer
55		88616			1	Bolt, Machine, HH, Full Thread, G5, 3/8" x 1-1/2"
		84944			1	Nut, 3/8"
56		602504			1	Bracket Weld Assy. Includes: Ref. 57
57		15653			1	Bushing
58		26129			AR	Washer
59		25121			1	Ring, Retaining
60		635918			1	Arm Weld Assy., L.H.
61		621486			2	Channel Weld Assy.
62		232491			4	U-Bolt
		34791-S36			8	Washer, Lock, 5/16", Replaces 80681
		87306			8	Nut, 5/16" UNF
63		640465			1	Support Assy.
		88206			5	Screw, Cap, HH, G5, 3/8" x 1"
		87016			4	Washer, 3/8" SAE
		80680			5	Washer, Lock, 3/8"
64		182294			4	Bushing

AR - As Required

MODEL 855 ROUND BALER

FIG. 31 - SECTION #2 AUTOMATIC TWINE WRAPPER



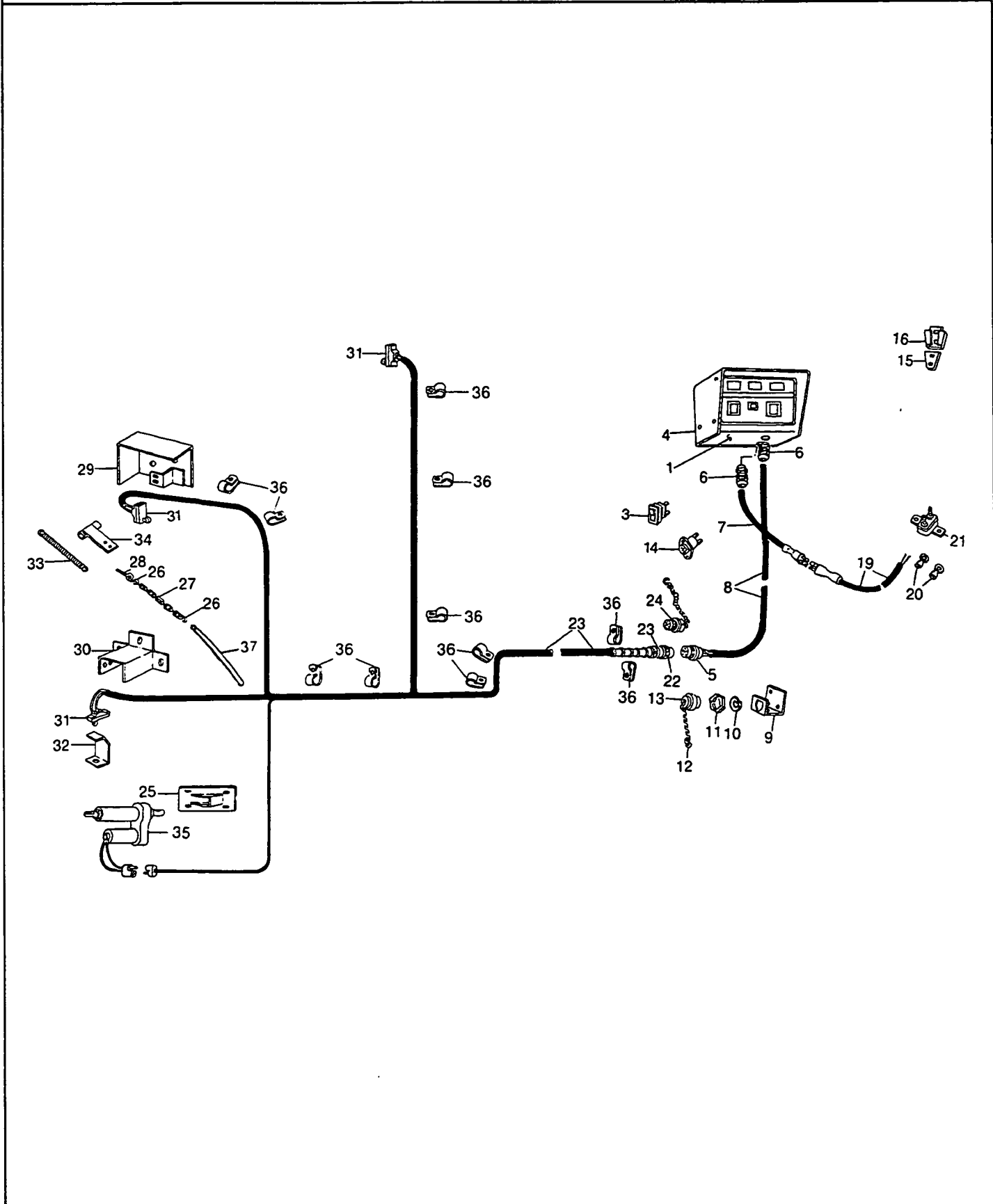
MODEL 855 ROUND BALER

FIG. 31 - SECTION #2 AUTOMATIC TWINE WRAPPER

REF	FN	PART NUMBER	FINIS	YR/SN	QTY	DESCRIPTION
65		701272			2	Gear
		80768			2	Key, Woodruff, K, 1/4" x 1"
		87230			4	Screw, Set, Sq. Hd., 5/16" x 7/8"
		84968			4	Nut, Jam, 5/16"
66		644780			1	Strap Weld Assy.
		88976			2	Screw, Machine, HWH, 5/16" x 3/4"
		145458			2	Nut, Lock, 5/16" USR
67		28110			4	Guide, Twine
68		28114			4	U-Bolt
		80684			8	Washer, Lock, #10
		87304			8	Nut, #10
69		11787			4	Fitting
		87016			4	Washer, 3/8" SAE
70		644782			1	Shield
		88976			6	Screw, Machine, HWH, 5/16" x 3/4"
		145458			2	Nut, Lock, 5/16" USR
71		640430			2	Mount Weld Assy.
		88206			2	Screw, Cap, HH, G3, 3/8" x 1"
		285072			2	Washer, Special
72		640464			1	Plate Weld Assy. Includes: (4) Ref. 64
		88543			6	Screw, Cap, HH, G5, 5/16" x 1"
		87362			4	Washer, 5/16" SAE
		34791-S36			6	Washer, Lock, 5/16", Replaces 80681
		84943			4	Nut, 5/16"
73		645109			2	Line, Lube
75		84303			2	Fitting, Lube, Female, 1/8" NPT
		87016			2	Washer, 3/8" SAE
76		615014			1	Collar
		88844			1	Screw, Set, Hex Socket, 5/16" x 5/8"
77		26995			1	Counter, Bale Includes: Mounting Hardware
		70047			1	Lever, W/Clamp Screw
		70643			1	Knob, Reset, W/Set Screw
78		197717			2	Spring
		87394			1	Pin, Cotter, 1/8" x 1/2"

MODEL 855 ROUND BALER

FIG. 32 - MEMORY WRAP TWINE WRAPPER GROUP USED ON & ASN 706838



MODEL 855 ROUND BALER

FIG. 32 - MEMORY WRAP TWINE WRAPPER GROUP -
USED ON & ASN 706838

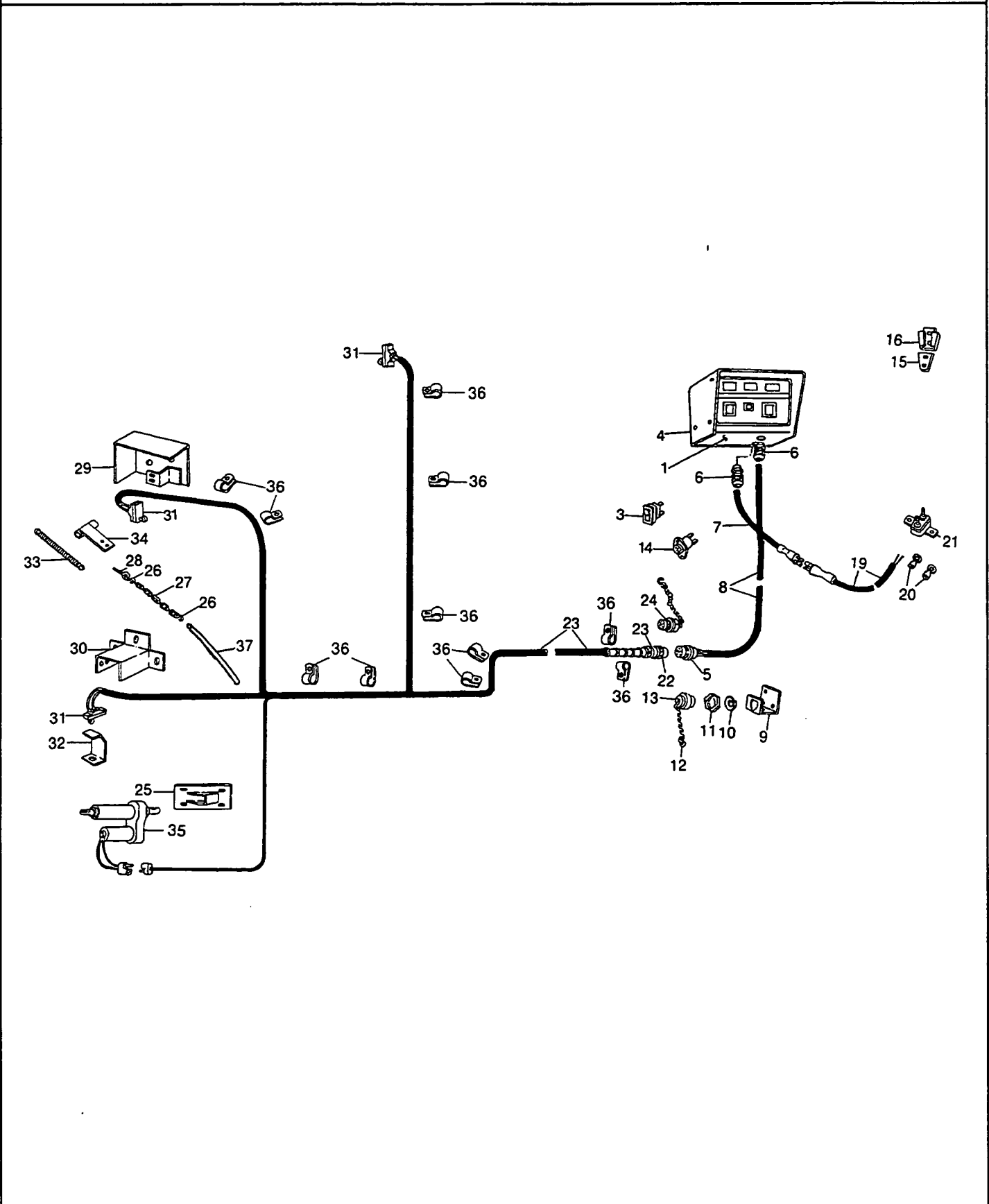
REF	FN	PART NUMBER	FINIS	YR/SN	QTY	DESCRIPTION
1		9621622			1	Control Box Assy. Rebuilt Controller Assy., Replaces 796045 & 783711 Includes: Ref. 2 thru 15
		615432			1	Fuse, 2 Amp
		859973			2	Relay
		276433			3	Lamp
		768120			1	Circuit Breaker
		786112			1	Body, Connector
3		682360			1	Switch, Rocker
4		853615			1	Shell, Replaces 792028
		281054			10	Screw, Self-Tapping, RDH, #8 x 5/8"
		853649			10	Washer, Finish, #8
5		795019			1	Connector Assy.
		851771			1	Kit, Electrical Connection Repair, Sockets
		792026			1	Ring, Split
6		782652			2	Connector, Replaces 784748
		773984			2	Nut, Lock
7		796718			1	Harness, Wire, Replaces 636323
8	(2)	783048			1	Harness, Wire Includes: Ref. 5
	(2)	852097			1	Wire Harness Includes: Ref. 5
9		9801101			1	Bracket, Replaces 787868
		278980			1	Clamp
		88832			1	Bolt, Carriage, G5, 1/4" x 3/4"
		44720-S36			1	Washer, 1/4", Replaces 80701
		80682			1	Washer, Lock, 1/4"
		84942			1	Nut, 1/4"
10		636665			1	Washer, Lock
11		636666			1	Nut
12		617887			1	S-Hook
13		767456			1	Plug, Dust Cover
14		792031			1	Alarm, Audible
15	(1)	9801636			1	Bracket, Replaces 222782
		280497			2	Bolt, RDH, G5, 5/16" x 3/4"
		80664			4	Washer, 5/16"
		34791-S36			2	Washer, Lock, 5/16", Replaces 80681
		84943			2	Nut, 5/16"

(1) - P/N 792027 Threaded Fastener, P/N 784121 Mount & P/N 788420 Knob are No Longer Available; Ref. 15 (9801636) Ref. 16 (847590) Should be Used.

(2) - Either Wire Harness can be Used in This Application

MODEL 855 ROUND BALER

FIG. 32 - MEMORY WRAP TWINE WRAPPER GROUP USED ON & ASN 706838



MODEL 855 ROUND BALER

FIG. 32 - MEMORY WRAP TWINE WRAPPER GROUP -
USED ON & ASN 706838

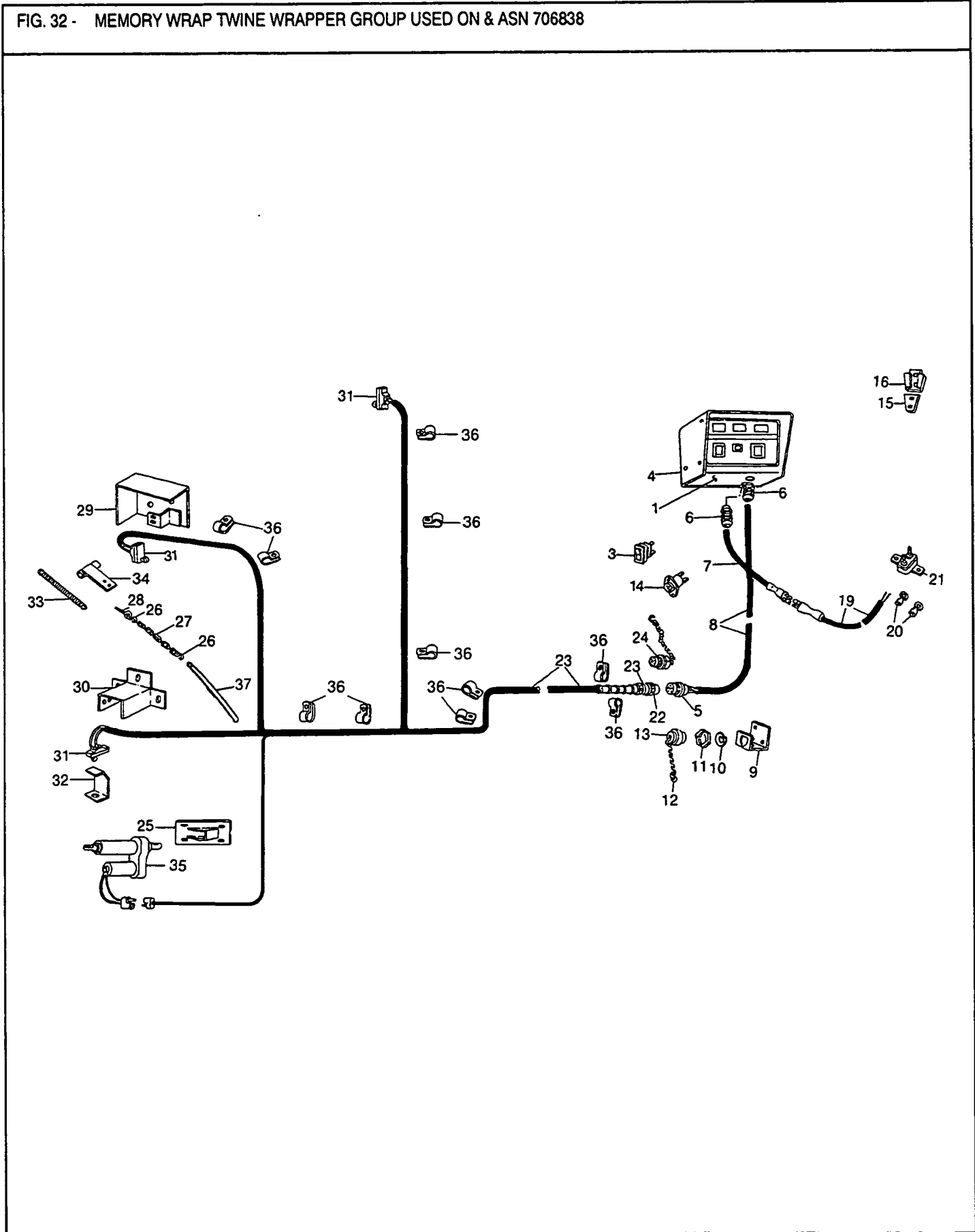
REF	FN	PART NUMBER	FINIS	YR/SN	QTY	DESCRIPTION
16	(1)	847590			AR	Socket
		88992			2	Bolt, RDH, G5, 5/16" x 1"
		34791-S36			2	Washer, Lock, 5/16", Replaces 80681
		84943			2	Nut, 5/16"
		84943			2	Nut, 5/16"
19		796719			1	Harness, Wire, Replaces 693846
20		46432			AR	Terminal, Electrical Ring, #10
		59273			AR	Terminal, Electrical Ring, 3/8"
		167169			AR	Terminal, Electrical Ring, 1/2"
21		767893			1	Breaker, Circuit
		80684			2	Washer, Lock, #10
		87304			2	Nut, #10
22		795018			1	Body, Connector
		792026			1	Ring, Split
		851769			1	Kit, Electrical Connection Repair
23		798929			1	Harness, Wire Includes: Ref. 22
		783765			AR	Kit, Electrical Connection Repair
24		788614			1	Plug, Dust Cover
25		855404			1	Mount Weld Assy., Replaces 767133
		88011			4	Screw, Cap, HH, G5, 3/8" x 1-1/4"
		80702			4	Washer, 3/8"
		80680			4	Washer, Lock, 3/8"
26		41613			2	S-Hook
		80702			1	Washer, 3/8"
		80756			1	Pin, Cotter, 1/8" x 3/4"
27		792975			1	Chain
28		146718			1	Bolt, Eye
		84878			2	Nut, Wing, 1/4"
29		9618920			1	Mount Weld Assy., Replaces 798931
		255918			1	Screw, Lock, 3/8" x 3/4" USR
30		798930			1	Mount
		570821			3	Screw, Lock, Thread-Forming, 5/16" x 5/8" USR
31		783681			3	Switch
		87943			6	Screw, Machine, RDH, #6
		88627			6	Washer, #6, SAE
		280471			6	Washer, Lock, Ext. T, #6
		88458			6	Nut, #6

(1) - P/N 792027 Threaded Fastener, P/N 784121 Mount & P/N 788420 Knob are No Longer Available; Ref. 15 (9801636) & Ref. 16 (847590) should be used.

AR - AsRequired

MODEL 855 ROUND BALER

FIG. 32 - MEMORY WRAP TWINE WRAPPER GROUP USED ON & ASN 706838



MODEL 855 ROUND BALER

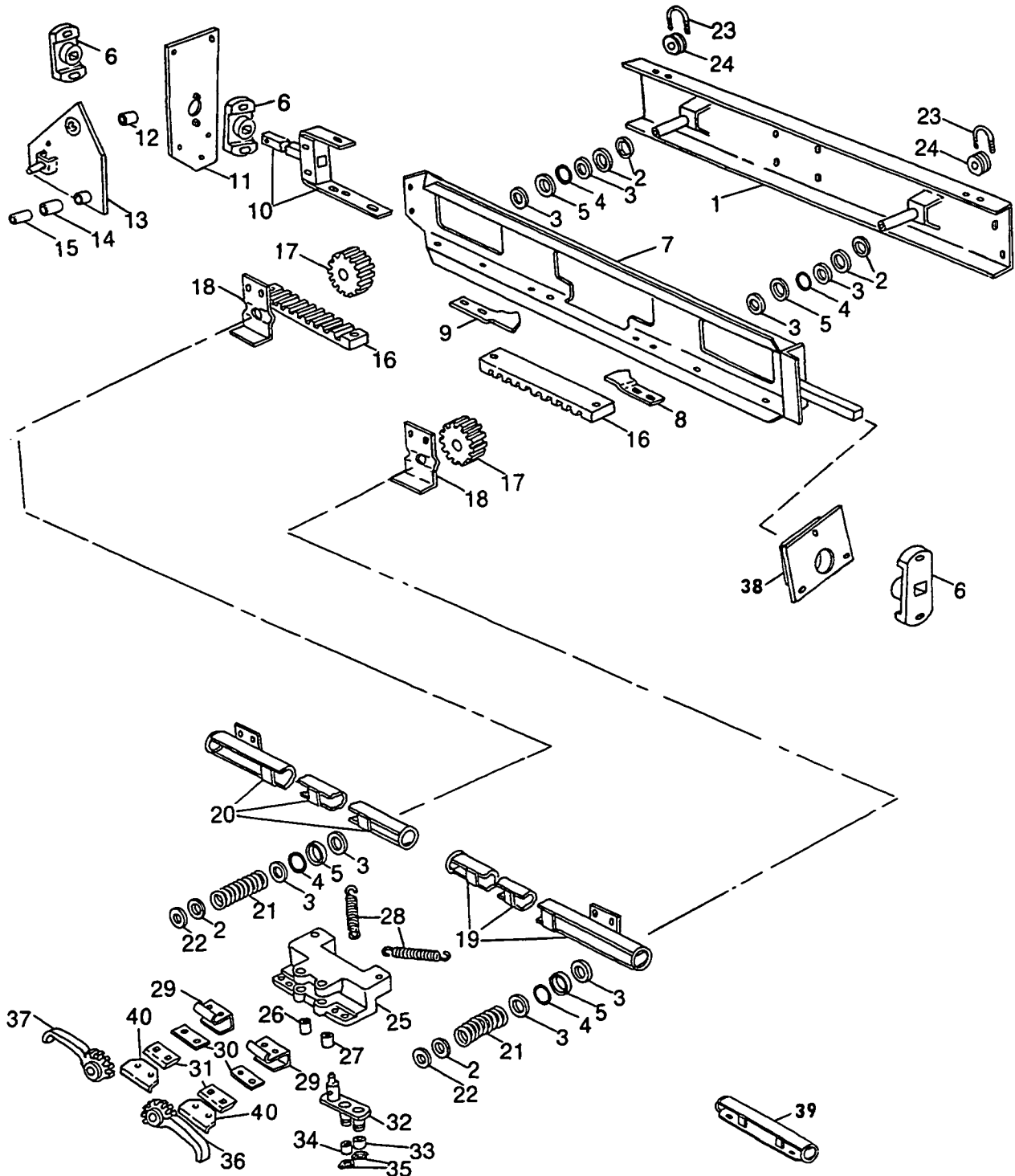
FIG. 32 - MEMORY WRAP TWINE WRAPPER GROUP -
USED ON & ASN 706838

REF	FN	PART NUMBER	FINIS	YR/SN	QTY	DESCRIPTION
32		786281			1	Angle
33		217208			1	Spring
34		798927			1	Flat Weld Assy.
		88444			1	Screw, Cap, HH, G5, 3/8" x 2-3/4"
		80702			1	Washer, 3/8"
		84944			1	Nut, 3/8"
35		9843435			1	Actuator, Replaces 795539
		304834-S36			1	Screw, Cap, HH, G5, 1/2" x 2", Replaces 88552
		87972			1	Screw, Cap, HH, G5, 1/2" x 2-1/2"
		80700			1	Washer, 1/2"
		280431			2	Nut, 1/2"
		80756			1	Pin, Cotter, 1/8" x 3/4"
		88871			1	Nut, Lock, GB, 1/2"
		263117			1	Tie, Cable
36		237911			2	Clamp, Dia. 3/16"
		237980			8	Clamp, Dia. 7/16"
		675162			5	Clamp, Dia. 1/4"
		677808			AR	Screw, Lock, 1/4" x 5/8" USR
		523292			AR	Screw, Lock, 1/4" x 3/4" USR
		523282			AR	Nut, Lock, 1/4" USR
37		9601133			1	Tube Assy.

AR - As Required

MODEL 855 ROUND BALER

FIG. 33 - RACK & PINION WRAPPER GROUP USED ON & ASN 706838



MODEL 855 ROUND BALER

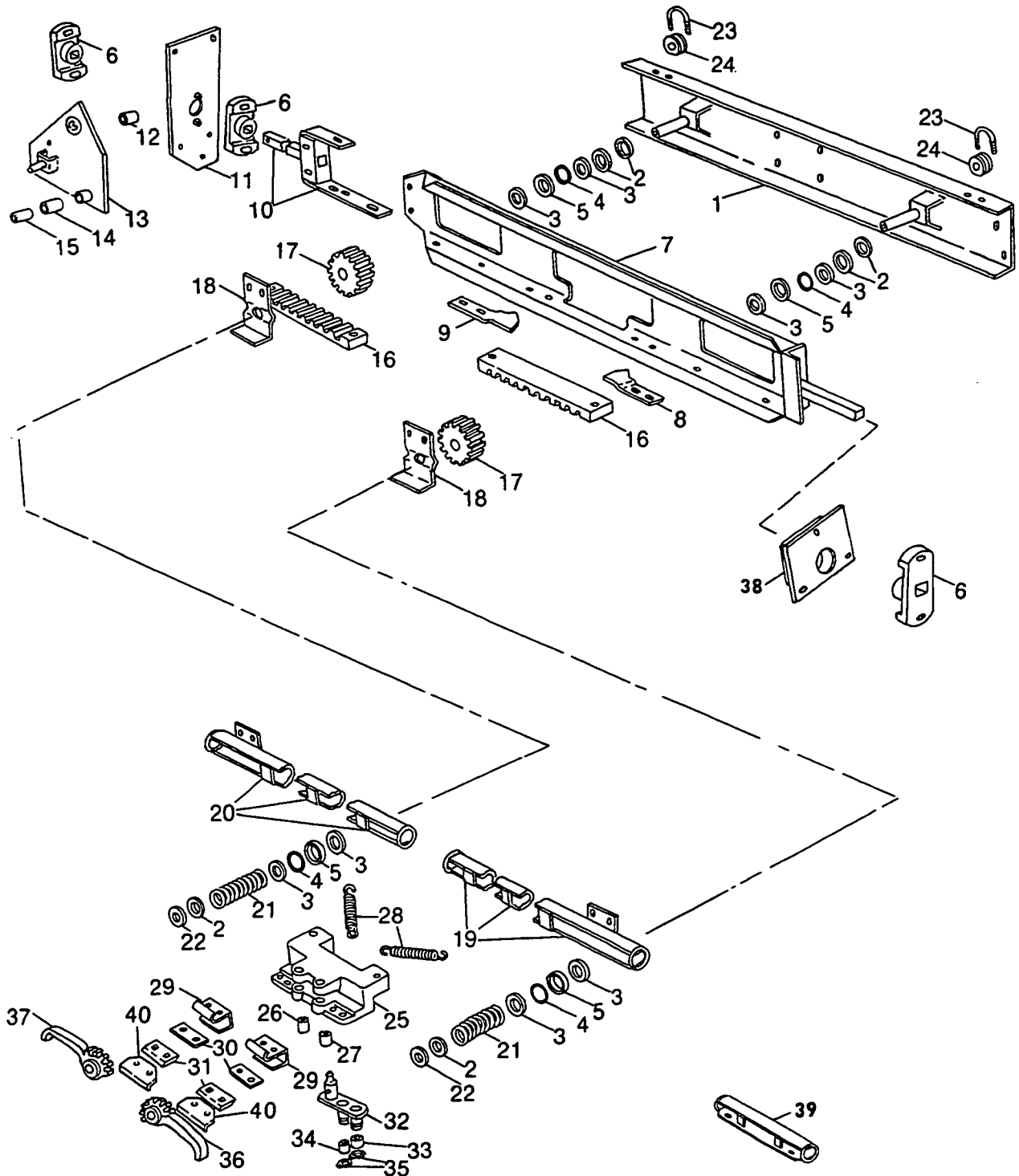
FIG. 33 - RACK & PINION WRAPPER GROUP -
USED ON & ASN 706838

REF	FN	PART NUMBER	FINIS	YR/SN	QTY	DESCRIPTION
1		795528			1	Channel Weld Assy.
		280127			4	Screw, Machine, HWH, 5/16" x 1"
		80664			4	Washer, 5/16"
		34791-S36			4	Washer, Lock, 5/16", Replaces 80681
		84943			4	Nut, 5/16"
2		25523			AR	Washer
3		784701			8	Washer
4		788421			4	O-Ring
5		E3NN-3K771-AA			2	Bearing, Thrust, Replaces 130306
6		698217			3	Bearing
		88275			6	Screw, Cap, HH, G5, 5/16" x 1-1/2"
		252687			6	Washer, Special
		145458			6	Nut, Flange, 5/16"-18 USR
7		795524			1	Drive Channel Weld Assy.
8		763536			1	Cam, L.H.
		280428			2	Bolt, Carriage, G5, 5/16" x 1"
		80664			2	Washer, 5/16"
		34791-S36			2	Washer, Lock, 5/16", Replaces 80681
		84943			2	Nut, 5/16"
9		699428			1	Cam, R.H.
		280428			2	Bolt, Carriage, G5, 5/16" x 1"
		80664			2	Washer, 5/16"
		34791-S36			2	Washer, Lock, 5/16", Replaces 80681
		84943			2	Nut, 5/16"
10		795530			1	Drive Link Weld Assy.
		271288			2	Screw, Lock, HH, 5/16" x 5/8" USR
		88780			2	Screw, Cap, HH, G5, 5/16" x 2-1/4"
		145458			4	Nut, 5/16" USR
11		795542			1	Mount Weld Assy.
		714555			2	Screw, Lock, 3/8" x 1" USR
		280161			2	Screw, Cap, HH, G5, 3/8" x 3"
		80702			2	Washer, 3/8"
		80680			2	Washer, Lock, 3/8"
		247780			2	Nut, Lock, 3/8" USR

AR - As Required

MODEL 855 ROUND BALER

FIG. 33 - RACK & PINION WRAPPER GROUP USED ON & ASN 706838



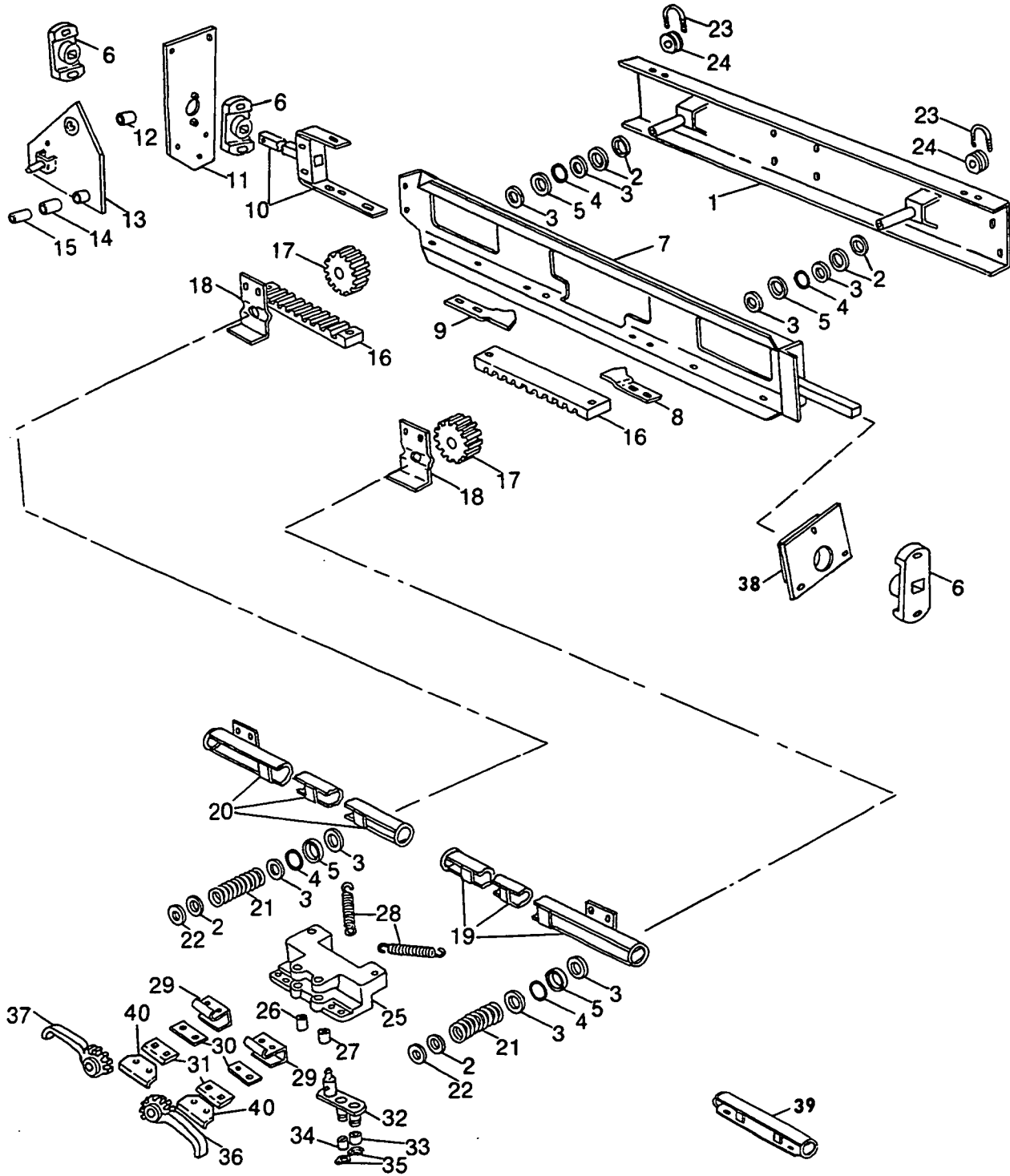
MODEL 855 ROUND BALER

FIG. 33 - RACK & PINION WRAPPER GROUP -
USED ON & ASN 706838

REF	FN	PART NUMBER	FINIS	YR/SN	QTY	DESCRIPTION
12		264513			1	Spacer
		280589			1	Screw, Cap, HH, G8, 3/8" x 1-3/4"
		285072			1	Washer
		88902			1	Nut, Lock, GB, 3/8"
13		795534			1	Pivot Weld Assy. Includes: Ref. 14
		88546			1	Screw, Cap, HH, G5, 3/8" x 2-1/4"
		80702			2	Washer, 3/8"
		247780			1	Nut, Lock, 3/8" USR
14		575989			1	Bushing
15		697922			1	Spacer
16		795527			2	Rack
		271288			4	Screw, Lock, 5/16" x 5/8" USR
17		697728			2	Pinion
18		763511			2	Plate, Mounting
		715968			2	Screw, Lock, 3/8" x 1-1/4" USR
		80680			2	Washer, Lock, 3/8"
19		792188			1	Channel Weld Assy., L.H.
		280327			2	Bolt, Carriage, G5, 5/16" x 3/4"
		80664			2	Washer, 5/16"
		34791-S36			2	Washer, Lock, 5/16", Replaces 80681
		84943			2	Nut, 5/16"
20		792187			1	Channel Weld Assy., R.H.
		280327			2	Bolt, Carriage, G5, 5/16" x 3/4"
		80664			2	Washer, 5/16"
		34791-S36			2	Washer, Lock, 5/16", Replaces 80681
		84943			2	Nut, 5/16"
21		634975			2	Spring
22		213404			2	Spacer
23		28114			2	U-Bolt (Optional)
		80684			4	Washer, Lock, #10
		87304			4	Nut, #10
24		28110			2	Guide (Optional)
25		782453			1	Mount Assy. Includes: Ref. 26 & 27
		88543			4	Screw, Cap, HH, G5, 5/16" x 1"
		80664			4	Washer, 5/16"
		34791-S36			4	Washer, Lock, 5/16", Replaces 80681
26		782455			1	Bushing
27		675353			3	Bushing
28		698083			2	Spring
		304720-S36			2	Screw, Cap, HH, G5, 5/16" x 1-1/4", Replaces 87657
		84943			2	Nut, 5/16"

MODEL 855 ROUND BALER

FIG. 33 - RACK & PINION WRAPPER GROUP USED ON & ASN 706838



MODEL 855 ROUND BALER

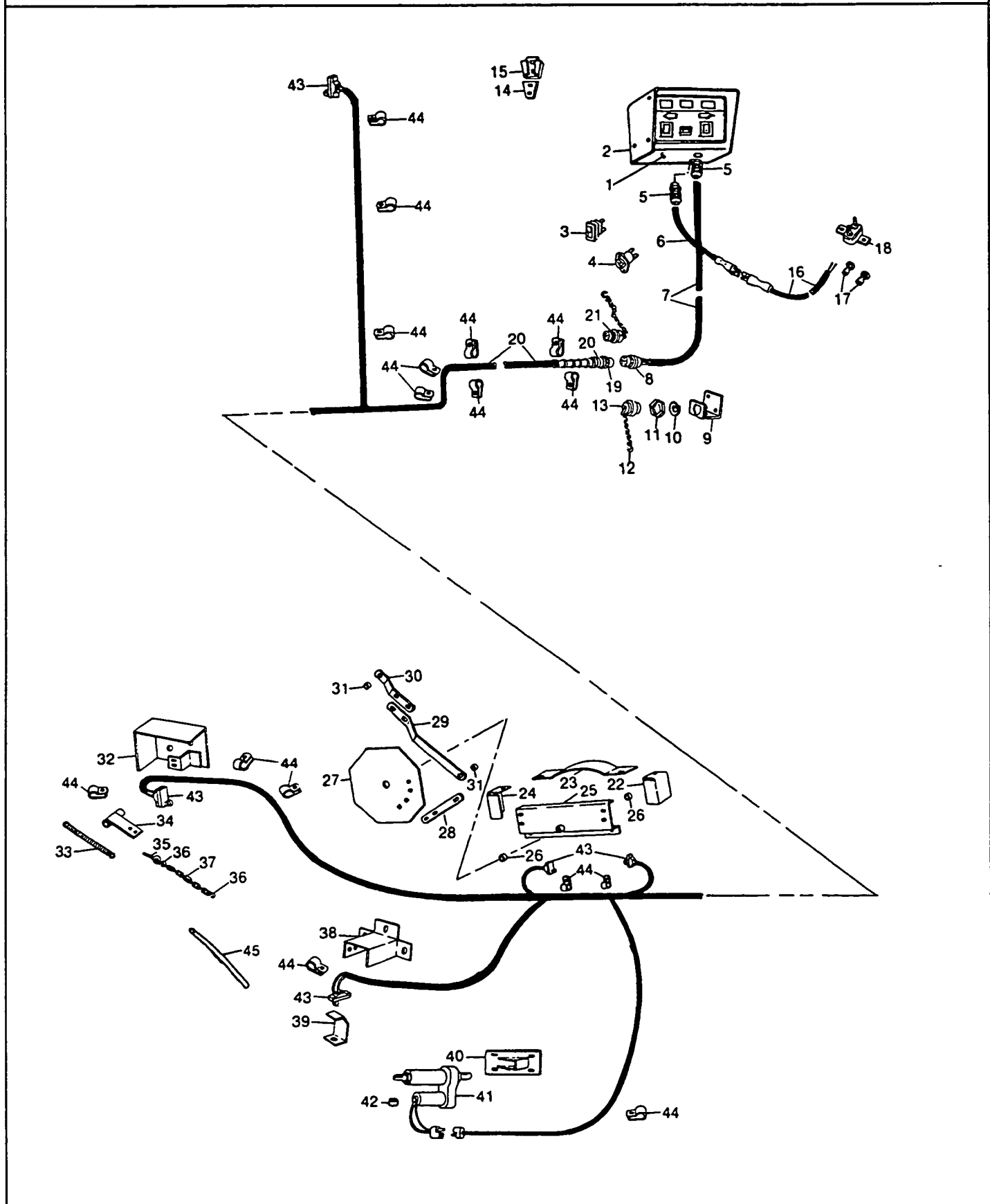
FIG. 33 - RACK & PINION WRAPPER GROUP -
USED ON & ASN 706838

REF	FN	PART NUMBER	FINIS	YR/SN	QTY	DESCRIPTION
29		768923			2	Clip, Spring
		88146			4	Screw, Cap, HH, G5, 1/4" x 1"
		44720-S36			2	Washer, 1/4", Replaces 80701
		791011			2	Washer
		280129			4	Nut, Lock, GC, 1/4"
30		694776			AR	Shim
31		617945			2	Knife, Twine
32		782567			1	Lever Weld Assy.
33		788783			1	Spacer
34		788784			1	Spacer
35		272464			2	Ring, Retaining
36		785640			1	Drive Clamp Assy.
		80777			1	Lock Pin Assy., .19 x 1.25
37		785641			1	Follower Clamp Assy.
		782581			1	Pin, 5/16" x 2-3/16"
		80428			1	Screw, Set, Hex Socket, 5/16" x 3/8"
38		9615418			2	Channel Weld Assy.
		714555			4	Screw, Self-Locking, HWH, 3/8" x 1" USR
39		9616116			1	Kit, Twine Guide Includes: Twine Guide W/Hardware
40		9620422			2	Shield

AR - As Required

MODEL 855 ROUND BALER

FIG. 34 - BALE COMMAND BUNDLE USED ON & ASN 733140



MODEL 855 ROUND BALER

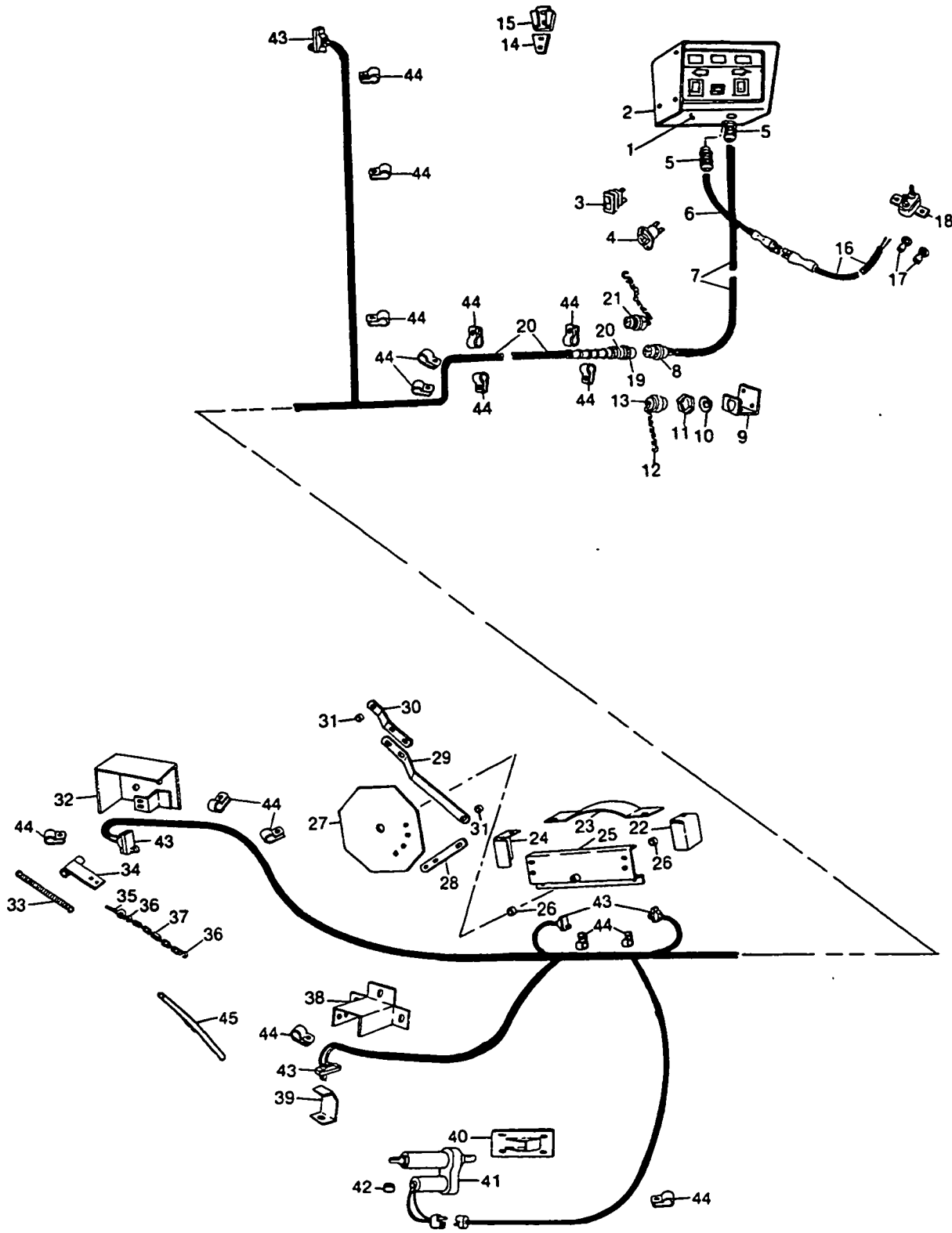
FIG. 34 - BALE COMMAND BUNDLE -
USED ASN 733140

REF	FN	PART NUMBER	FINIS	YR/SN	QTY	DESCRIPTION
1		850191			1	Control Box Assy., Replaces 852100 Includes: Ref. 2 thru 14
		784436			1	Fan
		615432			1	Fuse
		859973			2	Relay
		276433			5	Lamp
		768120			1	Breaker, Circuit
		786112			1	Body, Connector
		850468			1	PC Board Assy.
2		853615			1	Shell
		281054			10	Screw, Self-Tapping, RDH, Phillips, #8 x 5/8"
		853649			10	Washer, Finished, #8
3		682360			1	Switch, Rocker
4		792031			1	Alarm, Audible
5		782652			2	Connector
		773984			2	Nut, Lock
6		796718			1	Harness, Wire
7		852097			1	Harness, Wire Includes: Ref. 8
8		795019			1	Connector
		900362			AR	Terminal, E18
		792026			1	Ring, Split
		851771			1/AR	Kit, Electrical Connection Repair, Socket
9		9801101			1	Bracket, Replaces 787868
		80664			1	Washer, Flat, .31
		257492			1	Clamp
		88833			1	Bolt, Carriage, G5, 1/4" x 1"
		280279			1	Washer, Lock, Ext. T, 1/4"
		80682			1	Washer, Lock, 1/4"
		84942			1	Nut, 1/4"
10		636665			1	Washer, Lock
11		636666			1	Nut
12		617887			1	S-Hook
13		767456			1	Plug, Dust Cover
14		9801636			1	Bracket, Replaces 222782
		280497			2	Bolt, RDH, G5, 5/16" x 3/4"
		80664			4	Washer, 5/16"
		34791-S36			2	Washer, Lock, 5/16", Replaces 80681
		84943			2	Nut, 5/16"

AR - As Required

MODEL 855 ROUND BALER

FIG. 34 - BALE COMMAND BUNDLE USED ON & ASN 733140



MODEL 855 ROUND BALER

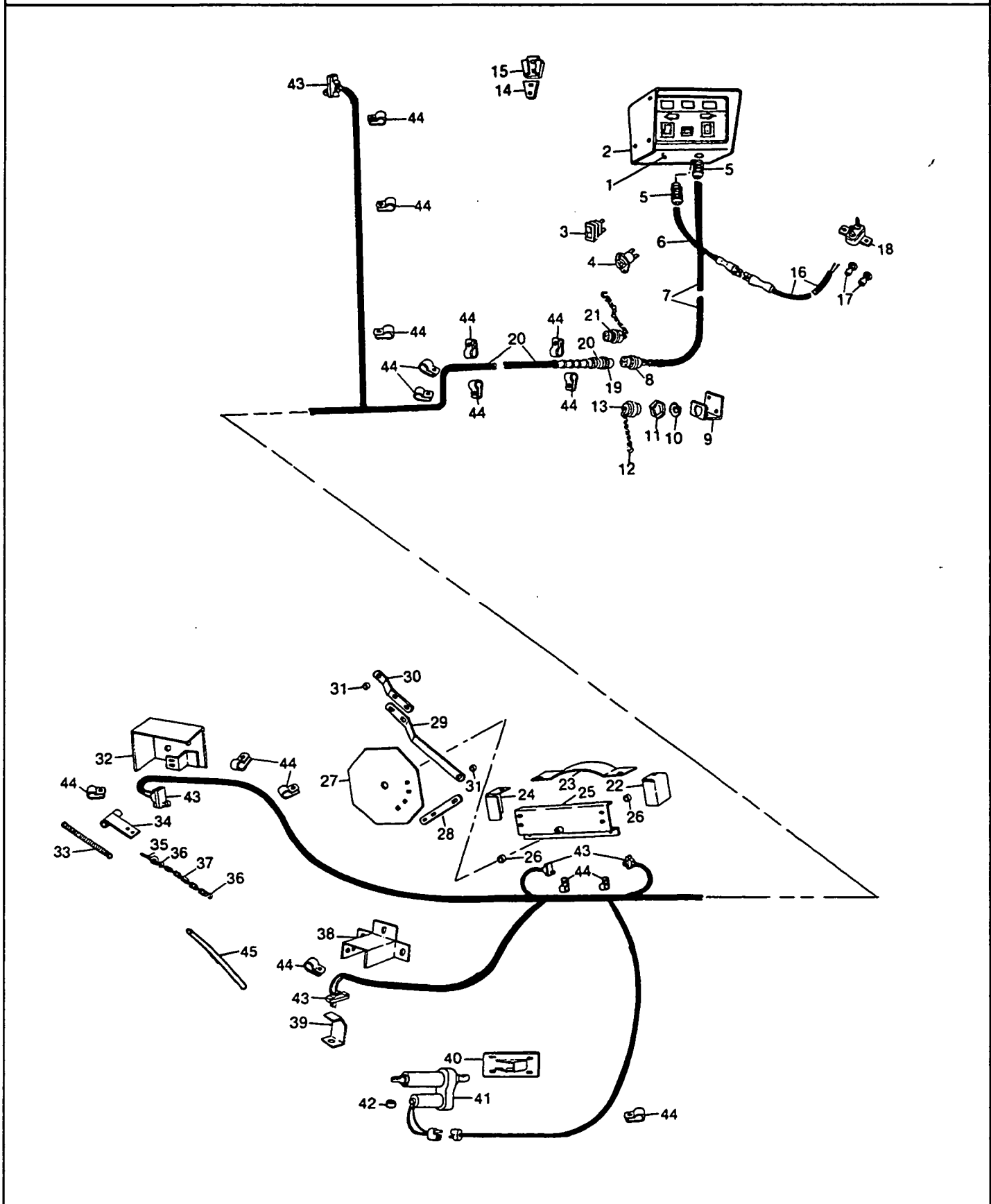
FIG. 34 - BALE COMMAND BUNDLE -
USED ASN 733140

REF	FN	PART NUMBER	FINIS	YR/SN	QTY	DESCRIPTION
15		847590			1	Socket
		88992			2	Bolt, RDH, G5, 5/16" x 1"
		34791-S361			2	Washer, Lock, 5/16", Replaces 80681
		84943			2	Nut, 5/16"
16		796719			1	Harness, Wire
17		46432			2/AR	Terminal, Electrical Ring, #10
		59273			2/AR	Terminal, Electrical Ring, 3/8"
		167169			2/AR	Terminal, Electrical Ring, 1/2"
18		767893			1	Breaker, Circuit
		87826			2	Screw, Machine, #10 x 1" UNF
		280942			4	Nut, Kep, #10
19		795018			1	Body, Connector
		900361			AR	Terminal, E18, for #10 Wire
		792026			1	Ring, Split
		851769			1/AR	Kit, Electrical Connection Repair, Pins
20		850190			1	Harness, Wire Includes: Ref. 19
21		788614			1	Plug, Dust Cover
22		850106			1	Cover, Front
23		850166			1	Shield
		570821			2	Screw, Lock, HWH, 5/16" x 5/8"
24		850107			1	Cover, Rear
25		850182			1	Mount Weld Assy. Includes: Ref. 26
		570821			2	Screw, Lock, HWH, 5/16" x 5/8"
26		141328			2	Bushing
27		847793			1	Cam Assy.
		36491			4	Washer
		702568			1	Ring, Retaining
28		851984			1	Flat
		280327			2	Bolt, RDH, 5/16" x 3/4"
		80664			2	Washer, 5/16"
		34791-S36			2	Washer, Lock, 5/16", Replaces 80681
		84943			2	Nut, 5/16"
29		850164			1	Link
		280503			1	Bolt, RDH, 3/8" x 1"
		80702			1	Washer, 3/8"
		80680			1	Washer, Lock, 3/8"
		84944			1	Nut, 3/8"

AR - As Required

MODEL 855 ROUND BALER

FIG. 34 - BALE COMMAND BUNDLE USED ON & ASN 733140



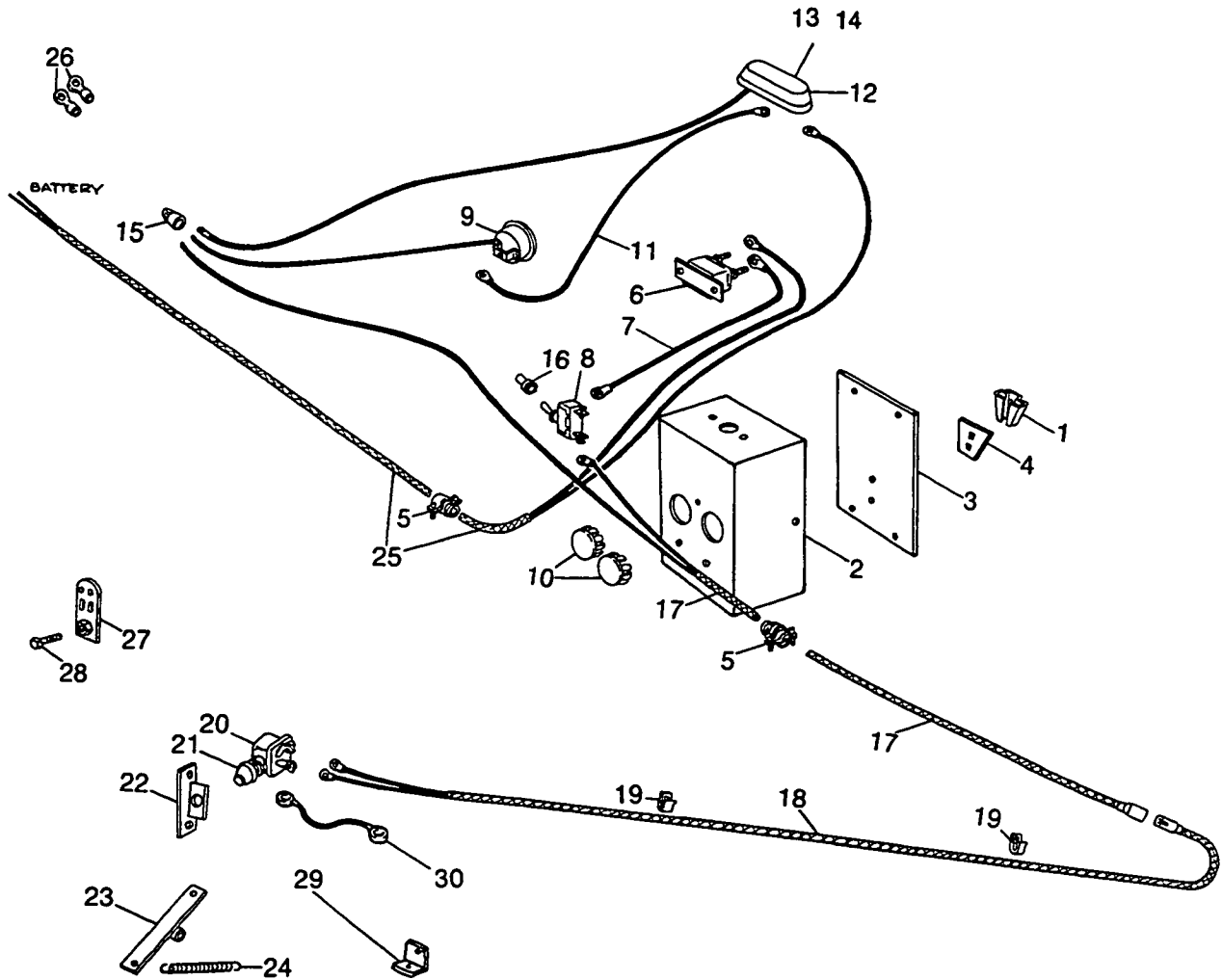
MODEL 855 ROUND BALER

FIG. 34 - BALE COMMAND BUNDLE -
USED ASN 733140

REF	FN	PART NUMBER	FINIS	YR/SN	QTY	DESCRIPTION
30		850165			1	Strap
		280327			2	Bolt, RDH, 5/16" x 3/4"
		80664			2	Washer, 5/16"
		84943			2	Nut, 5/16"
		80702			6	Washer, 3/8"
		72034-S36			1	Pin, Cotter, 3/32" x 1", Replaces 280251
		34791-S36			2	Washer, Lock, 5/16", Replaces 80681
31		694371			2	Spacer
32		9618920			1	Mount Weld Assy., Replaces 798931
		255918			1	Screw, Lock, 3/8" x 3/4" USR
33		217208			1	Spring
34		798927			1	Flat Weld Assy.
		88444			1	Screw, Cap, HH, G5, 3/8" x 2-3/4"
		84944			1	Nut, 3/8"
35		146718			1	Bolt, Eye
		84878			2	Nut, Wing, 1/4"
36		41613			2	S-Hook
		80700			1	Washer, 1/2"
		87397			1	Pin, Cotter, 3/16" x 1"
37		792975			1	Chain
38		798930			1	Mount
		570821			3	Screw, Lock, Thread-Forming, 5/16" x 5/8" USR
39		786281			1	Angle
40		855404			1	Mount Weld Assy.
		88011			4	Screw, Cap, HH, G5, 3/8" x 1-1/4"
		80702			4	Washer, 3/8"
		80680			4	Washer, Lock, 3/8"
41		9843435			1	Actuator, Replaces 795539
		304834-S36			1	Screw, Cap, HH, G5, 1/2" x 2", Replaces 88552
		854729			1	Bolt, Special, 1/2" x 3"
		280431			2	Nut, 1/2"
		88871			1	Nut, Lock, GB, 1/2"
		263117			1	Tie, Cable
42		780964			1	Spacer
43		783681			5	Switch
		87943			10	Screw, Machine, RDH, #6 x 1"
		88627			10	Washer, #6, SAE
		280471			10	Washer, Lock, Ext. T, #6
		88458			10	Nut, #6
44		257492			6	Clamp, Dia. 9/16" (Attaching Dia. 9/32")
		272535			2	Clip, Dia. 1/4" (Attaching Dia. 9/32")
		715300			2	Clamp, Dia. 5/8" (Attaching Dia. 11/32")
		853764			5	Clamp, Dia. 5/16" (Attaching Dia. 11/32")
		853765			1	Clamp, Dia. 5/16" (Attaching Dia. 13/32")
		677808			4	Screw, Lock, 1/4" x 5/8" USR
		523292			4	Screw, Lock, 1/4" x 3/4" USR
		523282			4	Nut, Lock, 1/4" USR
45		9601133			1	Tube Assy.

MODEL 855 ROUND BALER

FIG. 35 - FULL BALE ALARM ATTACHMENT



MODEL 855 ROUND BALER

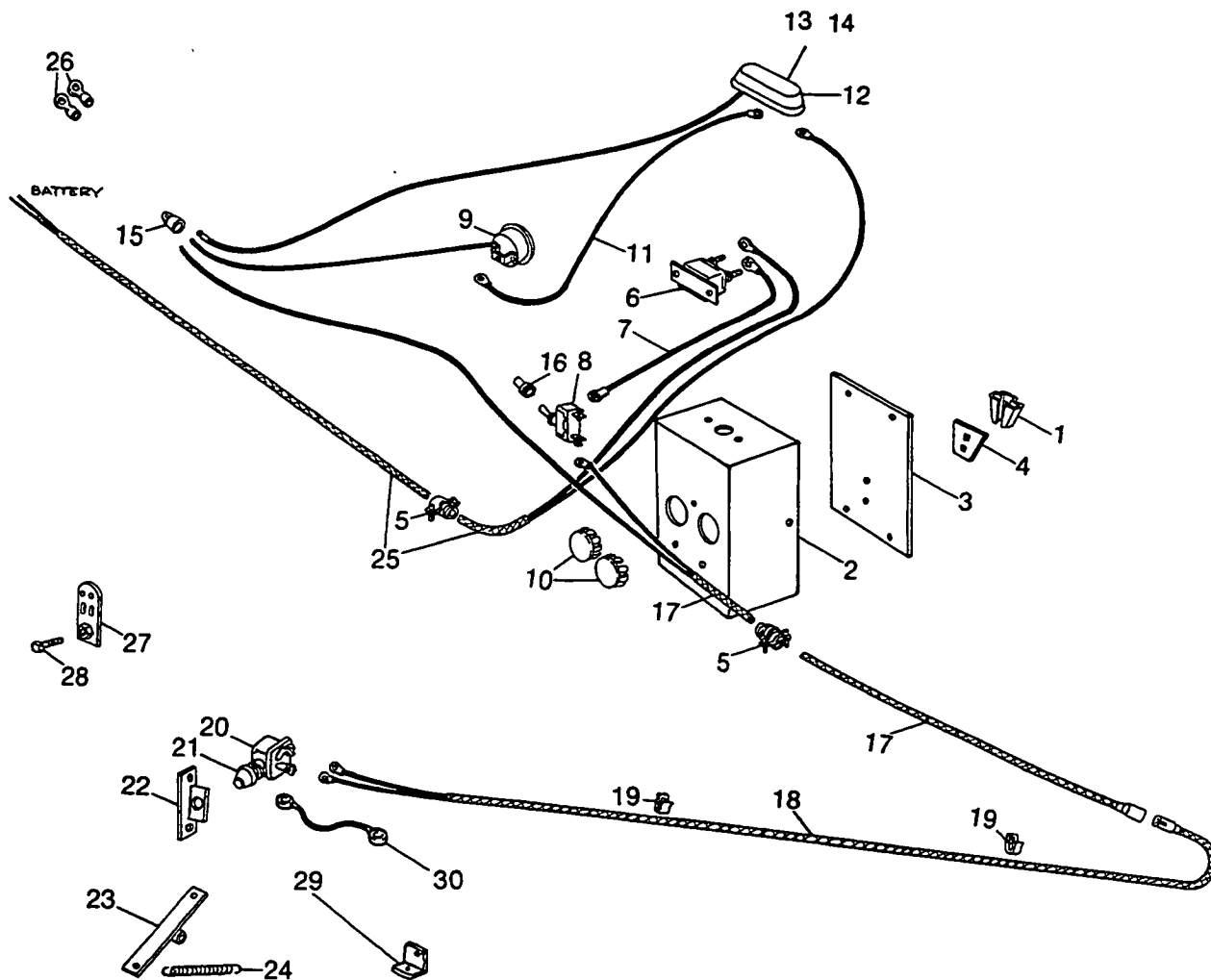
FIG. 35 - FULL BALE ALARM ATTACHMENT

REF	FN	PART NUMBER	FINIS	YR/SN	QTY	DESCRIPTION
1		OW			1	Attachment, Full Bale Alarm
		718546			1	Control Box Assy. (Complete Box)
		847590			1	Socket, Replaces 38027
		88992			2	Bolt, RDH, Short Sq. Neck, G5, 5/16" x 1"
2		34791-S36			2	Washer, Lock, 5/16", Replaces 80681
		84943			2	Nut, 5/16"
		716470			1	Box Weld Assy.
3		285444			1	Back, Sheet
		87667			4	Screw, Machine, Self-Tapping, HH, 1/4" x 1/2"
4		9801636			1	Bracket, Replaces 222782
		88992			2	Bolt, RDH, Short Sq. Neck, G5, 5/16" x 1"
5		80664			4	Washer, 5/16"
		34791-S36			2	Washer, Lock, 5/16", Replaces 80681
		84943			2	Nut, 5/16"
		PL			2	Connector, Electrical Cable
6		768106			1	Breaker, Circuit, Replaces 188180
		84461			2	Screw, Machine, Truss Hd., #10-24 x 5/8"
7		80684			2	Washer, Lock, #10
		87304			2	Nut, #10-24
		716638			1	Wiring Assy., 16 Gauge, 5" (127mm) Lgh., Single Wire W/#8 & #10 Ring Terminal, Circuit Breaker to Switch
		613988			1	Switch, Toggle
8		701592			1	Buzzer Assy.
		81743			1	Screw, Machine, Truss Hd., #8 x 1/2"
9		87812			1	Washer, Lock, #8
		88612			3/AR	Washer, #8 SAE
10		88224			2	Plug, Button, 1-1/2"
		718450			1	Wiring Assy., 16 Gauge, 4" (101.6mm) Lgh., Single Wire W/#8 & #10 Ring Terminal, Cround Buzzer to Light
12		188181			1	Light Assy. Includes: Ref. 13 & 14
		84461			2	Screw, Machine, Truss Hd., #10-24 x 5/8"
		80684			2	Washer, Lock, #10
		87304			2	Nut, #10-24
13		214045			1	Bulb (General Electric 1895)
14		214046			1	Lens, Red
15		136224			1	Plug, Electrical
16		602997			1	Seal, Toggle Switch
17		716474			1	Wiring Harness Assy.

AR - As Required
OW - Order from whole goods
PL - Procure locally

MODEL 855 ROUND BALER

FIG. 35 - FULL BALE ALARM ATTACHMENT



MODEL 855 ROUND BALER

FIG. 35 - FULL BALE ALARM ATTACHMENT

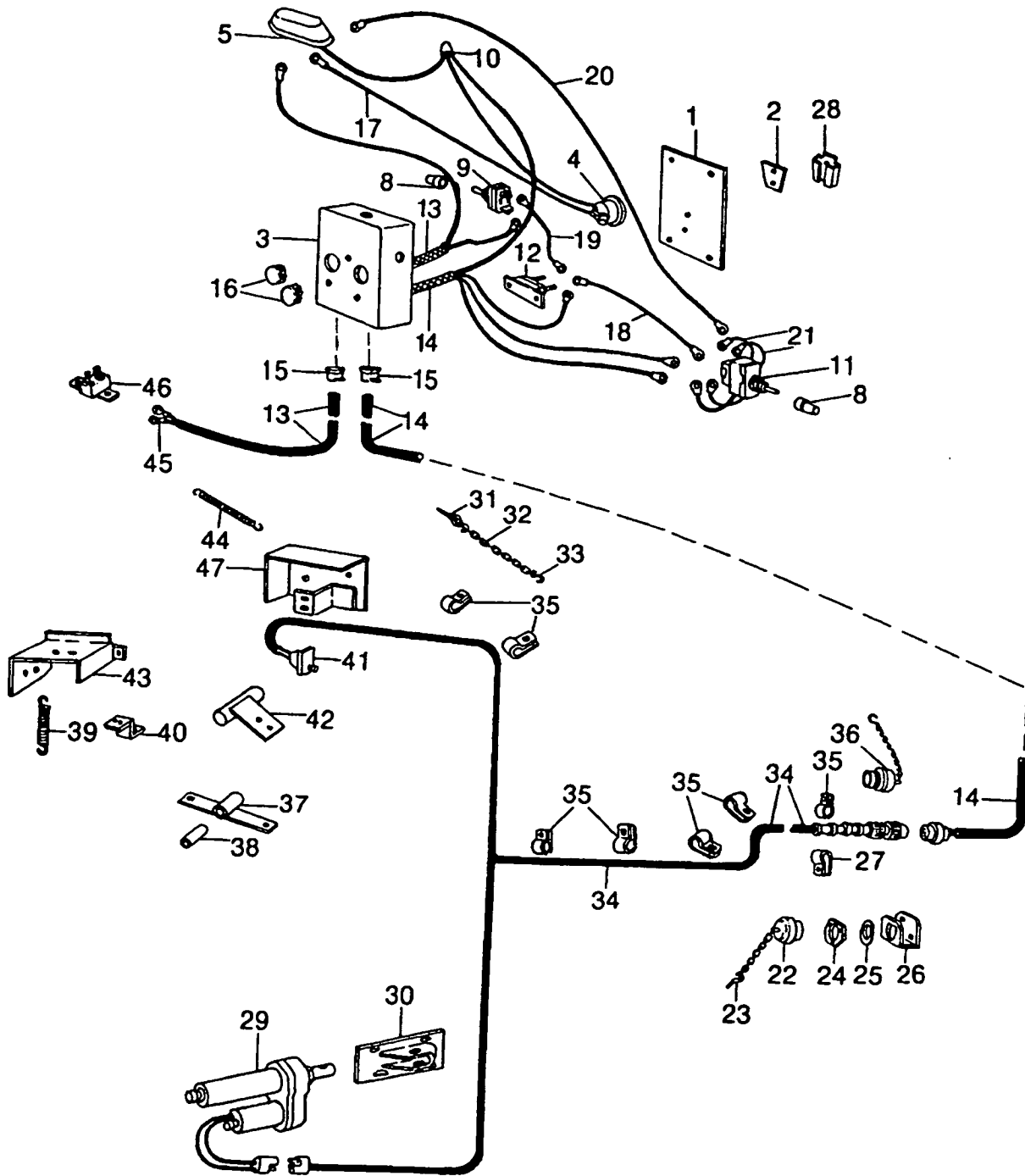
REF	FN	PART NUMBER	FINIS	YR/SN	QTY	DESCRIPTION
18		9826683			1	Wiring Harness Assy., Replaces 716475
19		134579			6	J-Clamp
		88206			4	Screw, Cap, HH, G5, 3/8" x 1"
		87872			1	Screw, Cap, HH, G5, 5/16" x 3/4"
		80664			1	Washer, 5/16"
		80680			6	Washer, Lock, 3/8"
		34791-S36			1	Washer, Lock, 5/16", Replaces 80681
		84944			2	Nut, 3/8"
		84943			1	Nut, 5/16"
20	(1)	719880			1	Switch Assy. Includes: Ref. 21
21		600858			1	Boot
22		717122			1	Mount Weld Assy.
		87101			1	Screw, Machine, Truss Hd., 3/8" x 3/4"
		80702			1	Washer, 3/8"
		80680			1	Washer, Lock, 3/8"
		84944			1	Nut, 3/8"
23		687033			1	Lever Weld Assy.
		88084			1	Screw, Machine, Truss Hd., 3/8" x 2"
		80702			1	Washer, 3/8"
		80680			1	Washer, Lock, 3/8"
		84944			1	Nut, 3/8"
		88902			1	Nut, Lock, GC, 3/8"
24		00018			1	Spring
		87394			1	Pin, Cotter, 1/8" x 1/2"
25		716473			1	Wiring Harness Assy.
26		46431			AR	Terminal, Electrical Ring, #10
		76770			AR	Terminal, Electrical Ring, 1/4"
		76775			AR	Terminal, Electrical Ring, 5/16"
		76771			AR	Terminal, Electrical Ring, 3/8"
27		288123			1	Tab Weld Assy.
		87887			2	Screw, Machine, Self-Tapping, HH, 5/16" x 3/4"
		87362			8	Washer, 5/16" SAE
		80664			2	Washer, 5/16"
28		280644			1	Bolt, Machine, HH, Full Thread, 3/8" x 2"
		84944			1	Nut, 3/8"
29		692852			1	Angle
30		619788			1	Wire

(1) - This Part Has a "Stop" Sign to Indicate When the Bale is to be Ejected.

AR - As Required

MODEL 855 ROUND BALER

FIG. 36 - ELECTRIC WRAPPER OPTION TWINE WRAP ATTACHMENT



MODEL 855 ROUND BALER

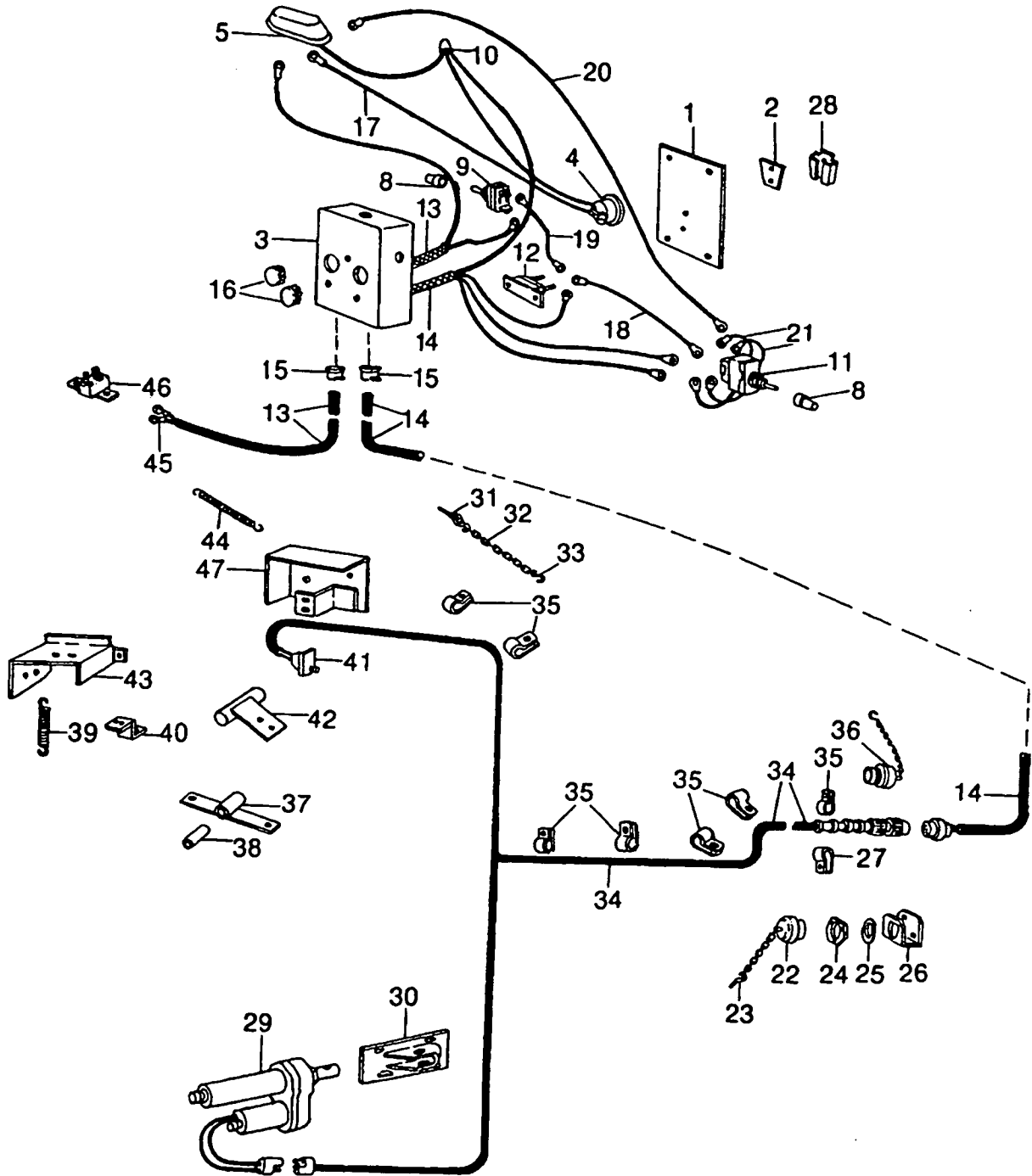
FIG. 36 - ELECTRIC WRAPPER OPTION
TWINE WRAP ATTACHMENT

REF	FN	PART NUMBER	FINIS	YR/SN	QTY	DESCRIPTION
1		858911			1	Control Box Assy. (Complete)
		285444			1	Back, Sheet
		87667			4	Screw, Self-Tapping, HH, 1/4" x 1/2"
2		9801636			1	Bracket, Replaces 222782
		88992			2	Bolt, RDH, Short Sq. Neck, G5, 5/16" x 1"
		84943			2	Nut, 5/16"
		34791-S36			2	Washer, Lock, 5/16", Replaces 80681
		80664			4	Washer, 5/16"
3		858841			1	Box, Control
4		701592			1	Buzzer
		88612			3	Washer, SAE, 3/16"
		87655			1	Screw, Machine, Truss Hd., #8 x 3/8"
		87812			1	Washer, Lock, #10
5		188181			1	Tail Light Assy.
		84821			2	Screw, Machine, Truss Hd., #10 x 1/2"
		87304			2	Nut, #10
		80684			2	Washer, Lock, #10
		214045			1	Bulb (General Electric 1895)
8		602997			2	Seal
9		767915			1	Switch
10		136224			1	Plug, Electrical
11		578471			1	Switch
12		768120			1	Breaker, Circuit
		280942			4	Nut, Kep, #10-32
		84821			2	Screw, Machine, Truss Hd., #8 x 3/8"
		87304			2	Nut, #10
		80684			2	Washer, Lock, #10
13		860003			1	Wire Harness Assy. (Battery-to-Switch & Ground-to-Light)
14		858904			1	Harness, Wire
15	NS	NS			2	Connector
16		88224			2	Plug, Button, 1-1/2"
17		718450			1	Wire
18	NS	NS			1	Wire
19	NS	NS			1	Wire
20	NS	NS			1	Wire
21		254398			1	Wire
22		767456			1	Plug, Dust Cover

NS - Not Serviced

MODEL 855 ROUND BALER

FIG. 36 - ELECTRIC WRAPPER OPTION TWINE WRAP ATTACHMENT



MODEL 855 ROUND BALER

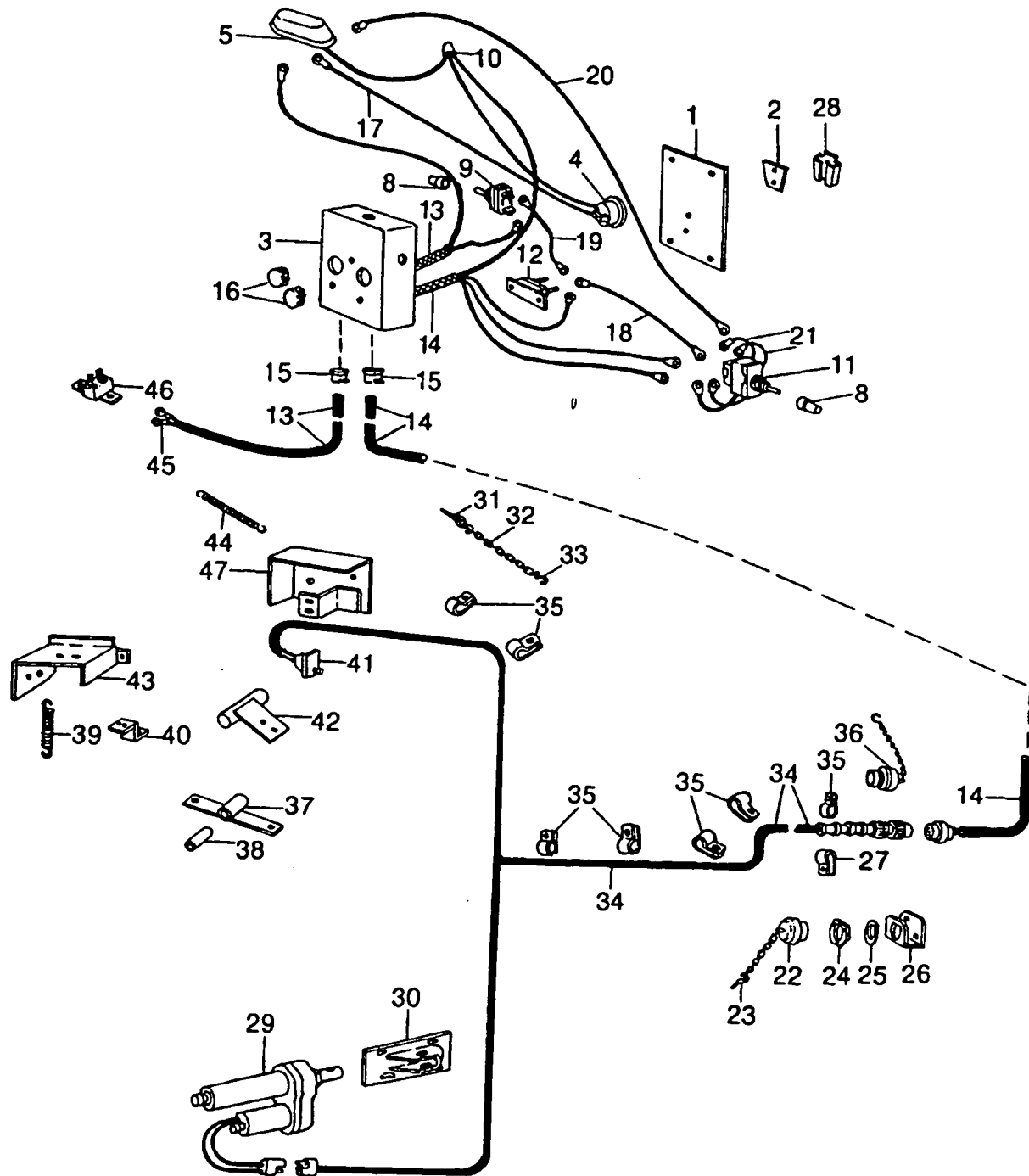
FIG. 36 - ELECTRIC WRAPPER OPTION
TWINE WRAP ATTACHMENT

REF	FN	PART NUMBER	FINIS	YR/SN	QTY	DESCRIPTION
23		617887			1	S-Hook
24		636666			1	Nut
25		636665			1	Washer, Lock
26		9801101			1	Bracket Assy., Replaces 787868
27		237980			1	Clamp, 7/16" x 1/4"
		280279			1	Washer, Lock, Ext. T, 1/4"
		84942			1	Nut, 1/4"
		80682			1	Washer, Lock, 1/4"
		88832			1	Bolt, Carriage, G5, 1/4" x 3/4"
28		847590			1	Socket Assy.
		88992			2	Bolt, RDH, Short Sq. Neck, G5, 5/16" x 1"
		34791-S36			2	Washer, Lock, 5/16", Replaces 80681
		84943			2	Nut, 5/16"
29		9843435			1	Actuator, Replaces 795539
30		855404			1	Mount Weld Assy.
		80680			4	Washer, Lock, 3/8"
		80700			1	Washer, 1/2"
		80702			4	Washer, 3/8"
		80755			1	Pin, Cotter, 1/8" x 1"
		88871			1	Nut, Lock, GC, 1/2"
		88011			4	Screw, Cap, HH, G5, 3/8" x 1-1/4"
		304834-S36			1	Screw, Cap, HH, G5, 1/2" x 2", Replaces 88552
		263117			1	Tie, Cable
		280161			2	Screw, Cap, HH, G5, 3/8" x 3"
		280431			2	Nut, 1/2"
		854729			1	Bolt, Special
31		41613			2	S-Hook
		80755			1	Pin, Cotter, 1/8" x 1"
		80702			1	Washer, 3/8"
32		792975			1	Chain
33		146718			1	Bolt, Eye
34		858905			1	Wire Harness Assy.
35		272535			2	Clip, Dia. 1/4" (Attaching Dia. 9/32")
		858956			1	Clamp, Dia. 7/16"
		237980			6	Clamp, Dia. 7/16"
		853764			1	Clamp, Dia. 5/16"
		675162			1	Clamp, Dia. 1/4"
		677808			AR	Screw, Lock, 1/4" x 5/8" USR
		523292			AR	Screw, Lock, 1/4" x 3/4" USR
		523282			AR	Nut, Lock, 1/4" USR

AR - As Required

MODEL 855 ROUND BALER

FIG. 36 - ELECTRIC WRAPPER OPTION TWINE WRAP ATTACHMENT



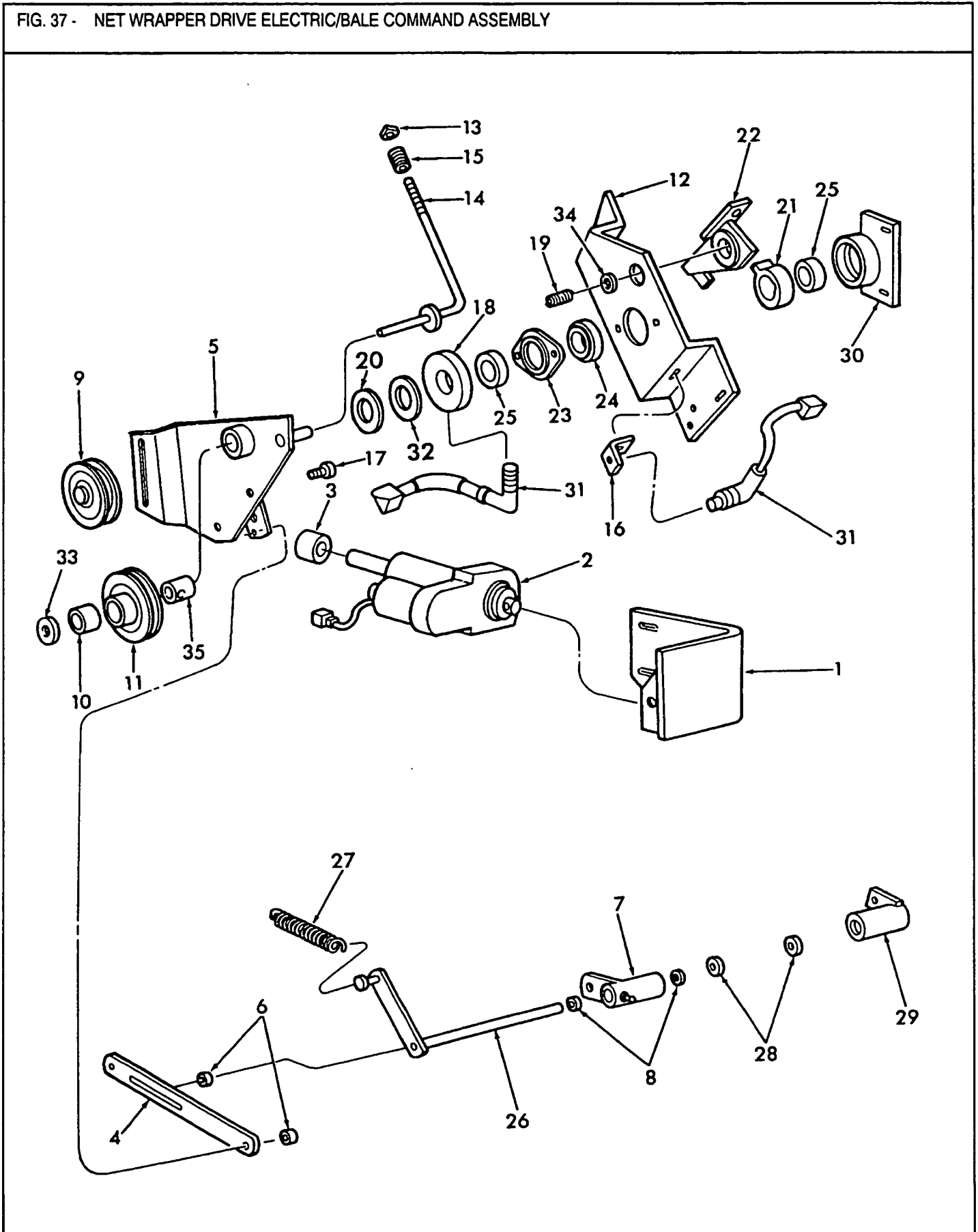
MODEL 855 ROUND BALER

FIG. 36 - ELECTRIC WRAPPER OPTION
TWINE WRAP ATTACHMENT

REF	FN	PART NUMBER	FINIS	YR/SN	QTY	DESCRIPTION
36		788614			1	Plug, Dust Cover
37		786318			1	Flat Weld Assy.
		300890-S36			1	Screw, Cap, HH, G5, 5/16" x 3", Replaces 88731
		80664			1	Washer, 5/16"
		34791-S36			1	Washer, Lock, 5/16", Replaces 80681
		87569			1	Fitting, Lube, 1/4"-28, 45°
38		145679			1	Spacer
39		283373			1	Spring, Extension
40		784700			1	Angle
		280700			2	Bolt, RDH, 1/4" x 1/2"
		34791-S36			2	Washer, Lock, 5/16", Replaces 80681
		84943			2	Nut, 5/16"
		280471			2	Washer, Lock, Ext. T, #6
41		783681			1	Switch
		87943			2	Screw, Machine, RDH, #6 x 1"
		88627			2	Washer, SAE, #6
		88458			2	Nut, #6
42		798927			1	Pivot Weld Assy.
		88444			1	Screw, Cap, HH, G5, 3/8" x 2-3/4"
		80702			1	Washer, 3/8"
		84944			1	Nut, 3/8"
43		784699			1	Mount Weld Assy.
		677808			4	Screw, Lock, HH, Thread-Forming, 1/4" x 5/8"
44		217208			1	Spring, Extension
		84878			2	Nut, Wing, 1/4"
45		46432			2	Terminal, Electrical Ring, #10
		59273			2	Terminal, Electrical Ring, 3/8"
		167169			2	Terminal, Electrical Ring, 3/8"
46		768125			1	Breaker, Circuit
		87826			2	Screw, Machine, #10 x 1" UNF
		280942			4	Nut, Kep, #10
47		9618920			1	Mount Weld Assy.
		255918			1	Screw, Lock, 3/8" x 3/4" USR
48		780964			1	Spacer

MODEL 855 ROUND BALER

FIG. 37 - NET WRAPPER DRIVE ELECTRIC/BALE COMMAND ASSEMBLY



MODEL 855 ROUND BALER

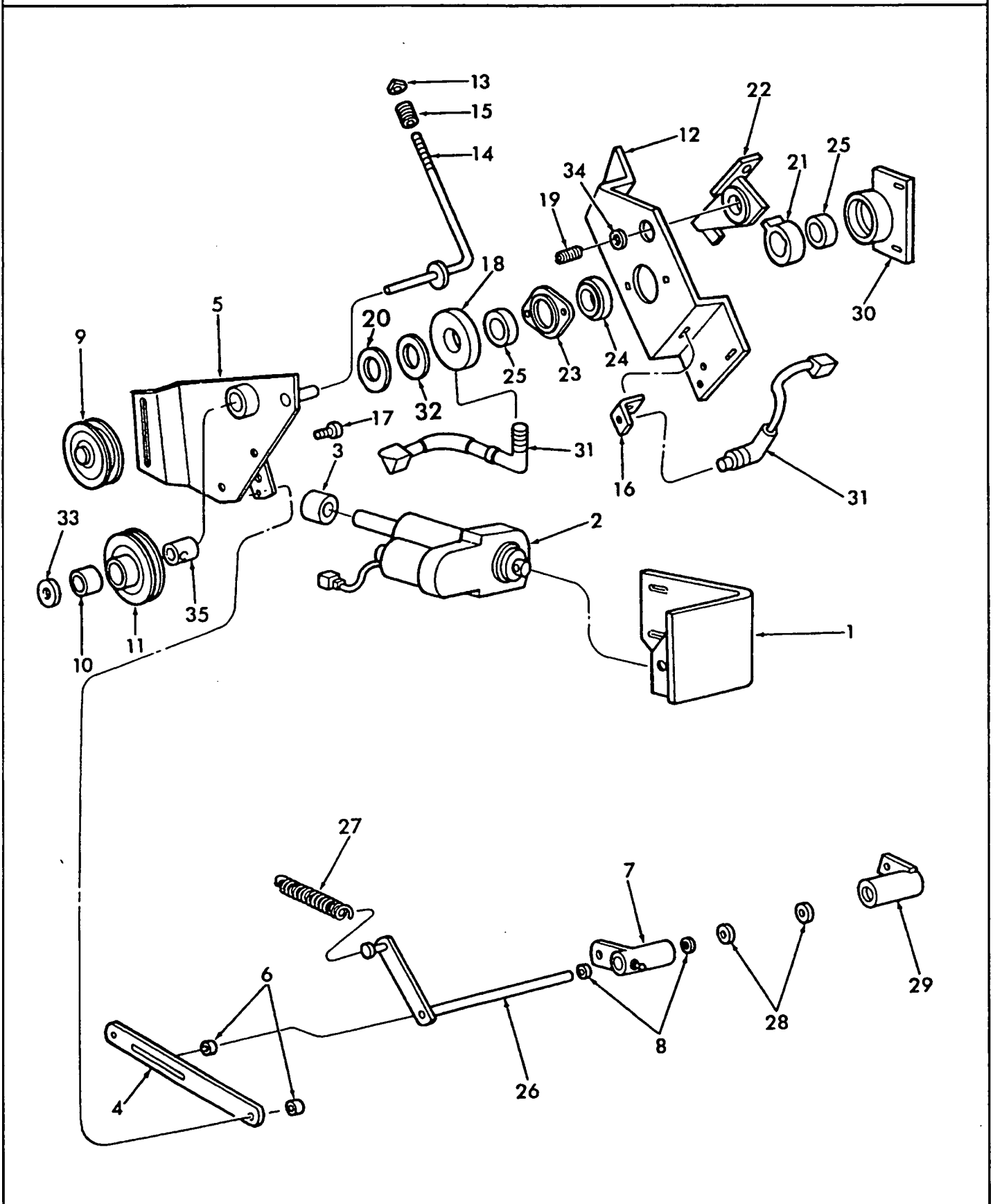
FIG. 37 - NET WRAPPER DRIVE
ELECTRIC/BALE COMMAND ASSEMBLY

REF	FN	PART NUMBER	FINIS	YR/SN	QTY	DESCRIPTION
1		9611872			1	Actuator Mount Weld Assy.
		87975			1	Screw, Cap, HH, G5, 1/2" x 2-1/4"
		88871			1	Nut, Lock, GC, 1/2"
		80702			2	Washer, 3/8"
		80680			2	Washer, Lock, 3/8"
		88011			2	Screw, Cap, HH, G5, 3/8" x 1-1/4"
2		768929			1	Actuator
		27373			1	Washer
3		9609631			1	Hub
		9801244			2	Rivet Assy.
		87397			1	Pin, Cotter, .19 x 1.00
4		9611871			1	Link
5		9612057			1	Arm Weld Assy.
		145458			2	Nut, Flange, 5/16"-18 USR
		88346			1	Screw, Cap, HH, G5, 5/16" x 2-1/2"
6		264513			2	Spacer
		88011			2	Screw, Cap, HH, G5, 3/8" x 1-1/4"
		87016			4	Washer, 3/8", SAE
		80680			2	Washer, Lock, 3/8"
		84944			2	Nut, 3/8"
7		9611878			1	Hub Weld Assy.
		145913			4	Screw, Self-Locking, HWH, 5/16" x 3/4" USR
8		141328			2	Bushing
9		632545			1	Idler
		280879			1	Bolt, Carriage, G5, 3/8" x 2"
		88902			1	Nut, Lock, GC, 3/8"
		285072			2	Washer, PL, HT.
10		792688			1	Roller Clutch & Bearing
11	(1)	856858			1	Sheave
		88434			1	Screw, Cap, HH, G5, 3/8" x 3/4"
		80680			5	Washer, Lock, 3/8"
		685553			2	Washer
		701036			1	Washer
		249100			2	Washer
12		9611863			1	Mount Weld Assy.
		255918			2	Screw, Self-Locking, HWH, 3/8" x 3/4" USR
		84944			1	Nut, P, 3/8"
		280327			2	Bolt, Carriage, G5, 5/16" x 3/4"
		145458			2	Nut, Flange, 5/16"-18 USR
		677913			1	Washer
		772324			1	Screw, Self-Tapping, HWH, 3/8" x 3/4" USR
13		9611875			1	Rocker
14		9611881			1	Rod Weld Assy.
		84969			1	Nut, Jam, 3/8"
		80702			1	Washer, 1-3/8"
		87016			1	Washer, 3/8", SAE
		84944			1	Nut, P, .38
		80756			1	Pin, Cotter, 1/8" x 3/4"

1 - Used with V-Belt PN 9809884, Page 1-105, Ref. #29.

MODEL 855 ROUND BALER

FIG. 37 - NET WRAPPER DRIVE ELECTRIC/BALE COMMAND ASSEMBLY



MODEL 855 ROUND BALER

FIG. 37 - NET WRAPPER DRIVE
ELECTRIC/BALE COMMAND ASSEMBLY

REF	FN	PART NUMBER	FINIS	YR/SN	QTY	DESCRIPTION
15		705996			1	Bushing
16	(1)	9612069			1	Bracket
		280327			1	Bolt, Carriage, G5, 5/16" x 3/4"
		145458			1	Nut, Flange, USR, 5/16" - 18
17	(1)	694181			1	Magnet Assy.
		84968			2	Nut, Jam, 5/16"
18	(1)	9607593			1	Magnet & Hub Assy.
19		510098			1	Spring, Replaces 11104
		80702			1	Washer, 3/8"
	(1)	88444			1	Screw, Cap, HH, G5, 3/8" x 2-3/4"
		88902			1	Nut, Lock, GC, 3/8"
	(3)	88444			1	Screw, Cap, HH, G5, .38" x 2.75"
20		787456			2	Washer, Phenolic
21		9609179			1	Hub Weld Assy.
		80810			1	Key, Wood, 3/16" x 3/4"
		529034			2	Screw, Set, Self-Locking
22		9611859			1	Latch Weld Assy.
23		56128			2	Flangette
24		574844			1	Bearing
25		38260			2	Collar
26		9611870			1	Arm Weld Assy.
		88487			2	Pin, Spring, 1/4" x 3/4"
27		00015			1	Spring
		84944			1	Nut, 3/8"
		88428			1	Screw, Cap, HH, .38" x 1.75"
		80664			1	Washer, 5/16"
		280250			1	Pin, Cotter, 3/32" x 3/4"
28		36491			2	Spacer
29		857148			1	Hub Weld Assy., LH
		145913			1	Screw, Self-Locking, HWH, 5/16" x 3/4" USR
30		857132			1	Mount, Bearing Weld Assy.
		145913			2	Screw, Self-Locking, HWH, 5/16" x 3/4" USR
31		9806432			2	Wire Harness Hall S/W, Replaces 9806432
	(2)	9612392			1	Kit, Connector, 3DT
32	(3)	604557			1	Spacer
33		213404			1	Spacer
34		26402			1	Washer
35		54846			1	Bushing

(1) - Used only on the Bale Command Assy.

(2) - Consists of (1) Wedge Receptical, (1) Connector Receptical 3, (1) Wedge Plug & (1) Connector Plug 3.
Used with old style Switch Hall Assy. P/N 9607743.

(3) - Used only on the Electric Assy.

MODEL 855 ROUND BALER

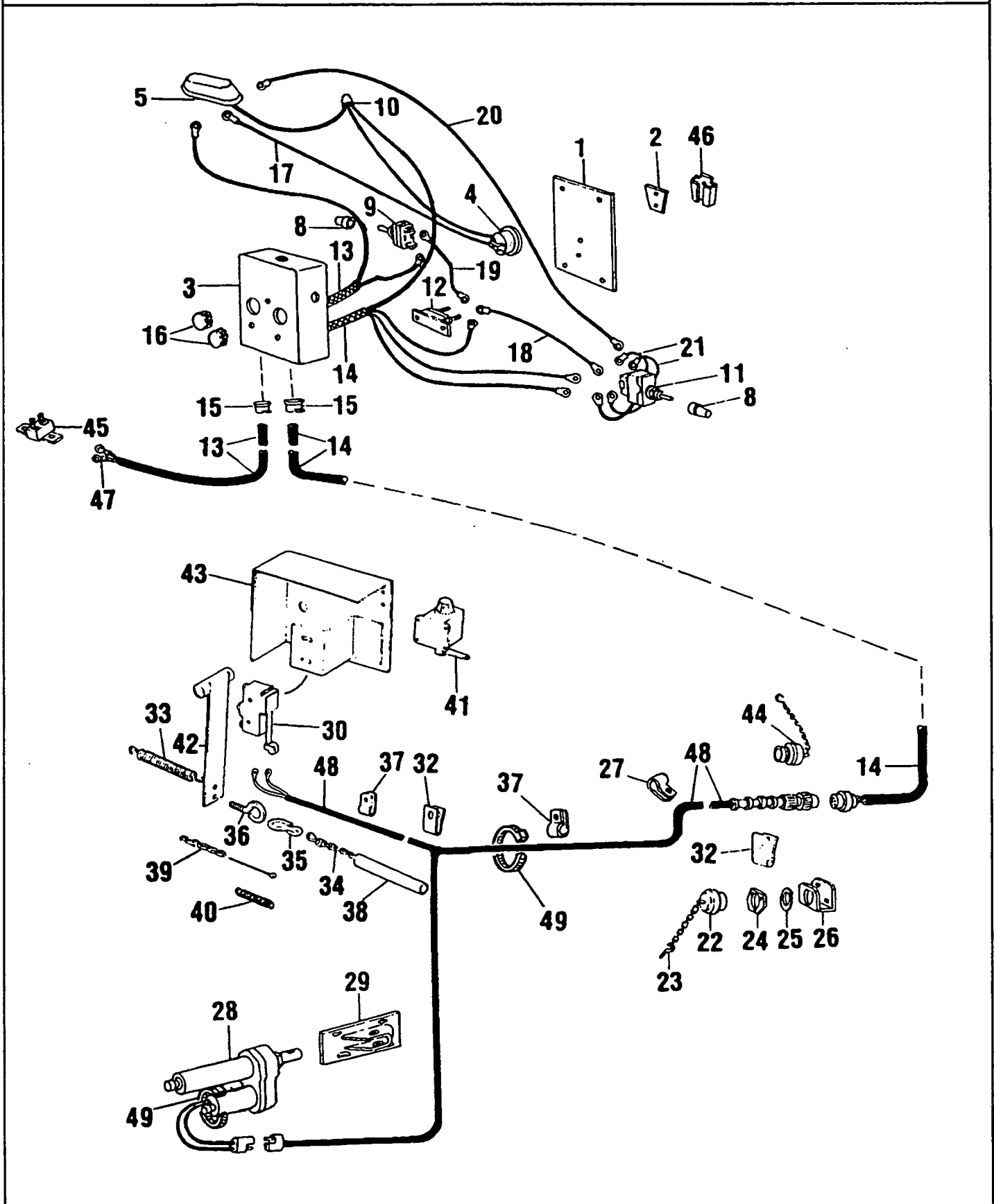
FIG. 38 - ELECTRIC WRAPPER OPTION
NET WRAP ATTACHMENT

REF	FN	PART NUMBER	FINIS	YR/SN	QTY	DESCRIPTION
1		858911			1	Control Box Assy., Complete
		285444			1	Sheet Back
		87667			4	Screw, Self-Tapping, HH, 1/4" x 1/2"
2		9801636			1	Bracket, Replaces 222782
		88992			2	Bolt, RDH, Short Sq. Neck, G5, 5/16" x 1"
		84943			2	Nut, 5/16"
		34791-S36			2	Washer, Lock, 5/16", Replaces 80681
		80664			4	Washer, 5/16"
3		858841			1	Box, Control
4		701592			1	Buzzer
		88612			3	Washer, 3/16", SAE
		87655			1	Screw, Machine, Truss Hd., #8 x 3/8"
		87812			1	Washer, Lock, #10
5		188181			1	Tail Light Assy.
		84821			2	Screw, Machine, Truss Hd., #10 x 1/2"
		87304			2	Nut, #10
		80684			2	Washer, Lock, #10
		214045			1	Bulb (General Electric 1895)
8		602997			2	Seal
9		767915			1	Switch
10		136224			1	Plug, Electrical
11		578471			1	Switch
12		768120			1	Breaker, Circuit
		280942			4	Nut, Kep, #10 - 32
		84821			2	Screw, Machine, Truss Hd., #8 x 3/8"
		87304			2	Nut, #10
		80684			2	Washer, Lock, #10
13		860003			1	Wire Harness Assy. (Battery-to-Switch & Ground-to-Light)
14		858904			1	Harness, Wire
15		NS			2	Connector
16		88224			2	Plug, Button, 1-1/2"
17		718450			1	Wire
18		NS			1	Wire
19		NS			1	Wire
20		NS			1	Wire
21		254398			1	Wire
22		767456			1	Plug, Dust Cover
23		617887			1	S-Hook
24		636666			1	Nut
25		636665			1	Washer, Lock
26		9801101			1	Bracket Assy., Replaces 787868
27		237980			1	Clamp, 7/16" x 1/4"
		280279			1	Washer, Lock, Ext. T, 1/4"
		84942			1	Nut, 1/4"
		80682			1	Washer, Lock, 1/4"
		88832			1	Bolt, Carriage, G5, 1/4" x 3/4"

NS - Not Serviced, Fabricate Locally

MODEL 855 ROUND BALER

FIG. 38 - ELECTRIC WRAPPER OPTION NET WRAP ATTACHMENT



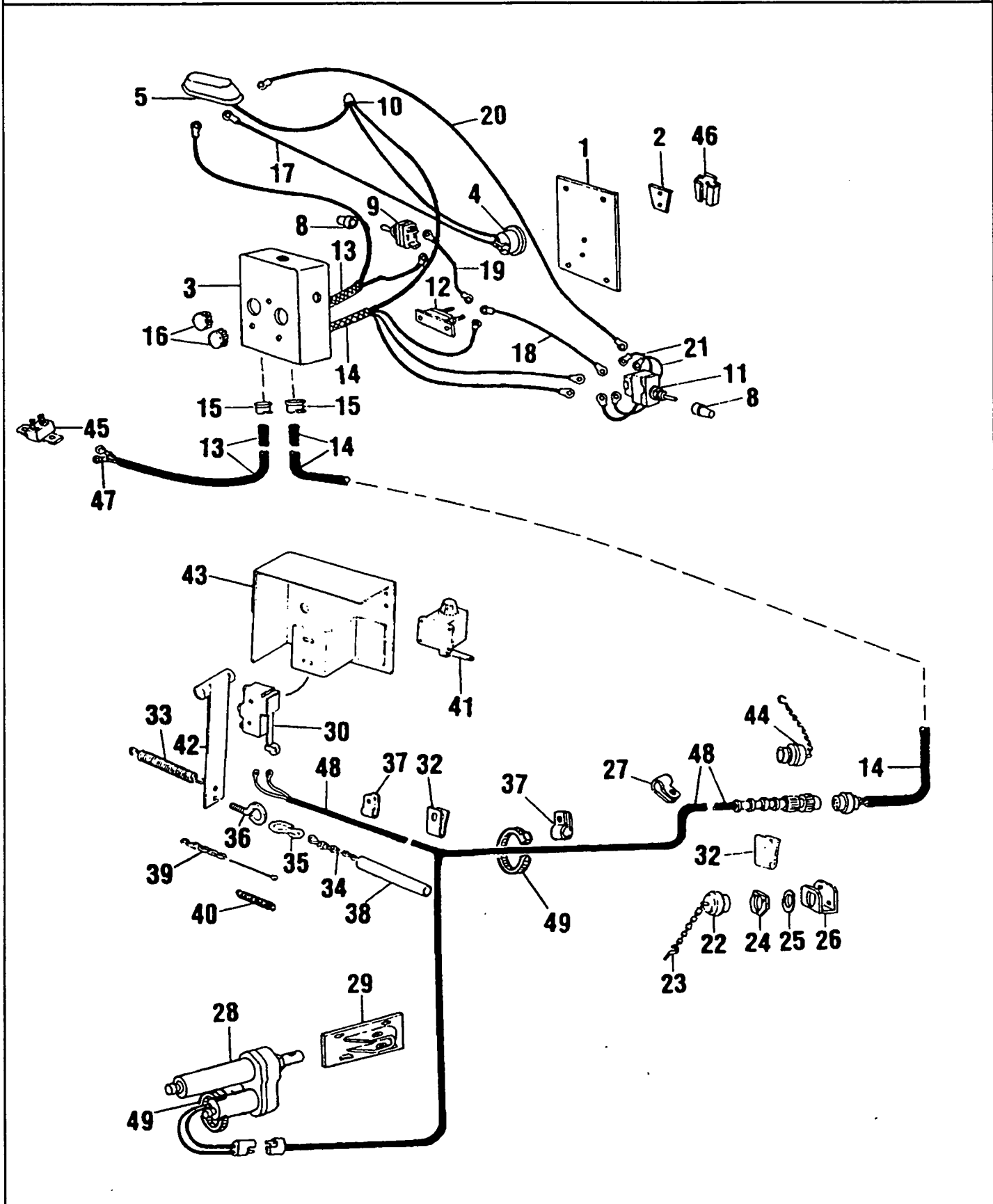
MODEL 855 ROUND BALER

FIG. 38 - ELECTRIC WRAPPER OPTION
NET WRAP ATTACHMENT

REF	FN	PART NUMBER	FINIS	YR/SN	QTY	DESCRIPTION
28		768929			1	Actuator
29		855404			1	Mount Weld Assy.
		80680			4	Washer, Lock, 3/8"
		80700			1	Washer, 1/2"
		80702			4	Washer, 3/8"
		88871			1	Nut, Lock, GC, 1/2"
		88011			4	Screw, Cap, HH, G5, 3/8" x 1-1/4"
		304834-S36			1	Screw, Cap, HH, G5, 1/2" x 2", Replaces 88552
		263117			1	Tie, Cable
		280161			2	Screw, Cap, HH, G5, 3/8" x 3"
		280431			2	Nut, G5, 1/2"
		854729			1	Bolt, Special
30		783681			1	Switch
32		257492			5	Clamp
		677808			2	Screw, Self-Locking, HWH, 1/4" x 5/8" USR
		523282			3	Nut, Flange, USR, 1/4"
		523292			3	Screw, Self-Locking, HWH, 1/4" x 3/4" USR
		272535			2	Clamp
		677808			2	Screw, Self-Tapping, HWH, 1/4" x 5/8" USR
		675162			1	Clamp, .25 x .38 Bolt
		255918			1	Screw, Self-Locking, HWH, 3/8" x 3/4" USR
33		217208			1	Spring
34		792975			1	Chain
35		41613			2	S-Hook
		87364			1	Washer, SAE, 1/2"
		87397			1	Pin, Cotter, 5/16" x 1"
36		146718			1	Bolt, Eye
		84878			2	Nut, Wing, 1/4"
37		858956			1	Clamp
		570821			1	Screw, Self-Tapping, HWH, 5/16" x 5/8"
38		9601133			1	Tube Assy.
39		795301			1	Chain
40		197717			2	Spring
41		26995			1	Counter
42		798927			1	Pivot Weld Assy.
		88444			1	Screw, Cap, HH, G5, 3/8" x 2-3/4"
		84944			1	Nut, 3/8"
43		9618920			1	Mount Weld Assy.
		87943			2	Screw, Machine, RDH, #6 x 1"
		88627			2	Washer, SAE, 1/8"
		280471			2	Washer, Lock, Ext. T, T #6
		88458			2	Nut, #6
44		788614			1	Plug, Dust Cover
45		768125			1	Breaker, Circuit
		87826			2	Screw, Machine, #10 x 1" UNF
		280942			4	Nut, Kep, #10

MODEL 855 ROUND BALER

FIG. 38 - ELECTRIC WRAPPER OPTION NET WRAP ATTACHMENT



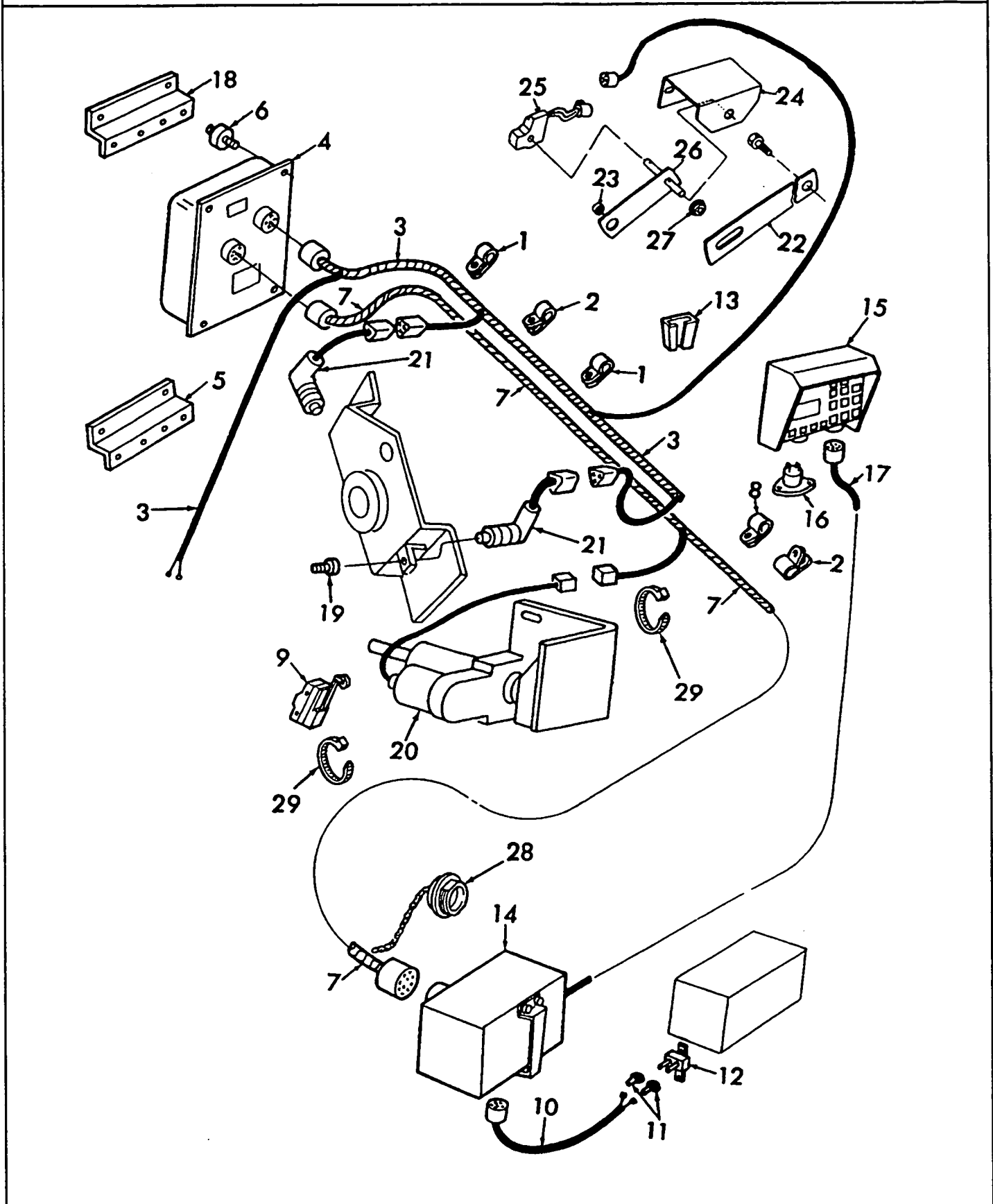
MODEL 855 ROUND BALER

FIG. 38 - ELECTRIC WRAPPER OPTION
NET WRAP ATTACHMENT

REF	FN	PART NUMBER	FINIS	YR/SN	QTY	DESCRIPTION
46		847590			1	Socket Assy.
		88992			2	Bolt, RDH, Short Sq. Neck, G5, 5/16" x 1"
		34791-S36			2	Washer, Lock, 5/16", Replaces 80681
		84943			2	Nut, 5/16"
47		46432			2	Terminal, Electrical Ring, #10
		59273			2	Terminal, Electrical Ring, 3/8"
48		858905			1	Wire Harness Assy.
49		263117			2	Tie, Cable

MODEL 855 ROUND BALER

FIG. 39 - CONTROL GROUP-BALE COMMAND NET WRAP



MODEL 855 ROUND BALER

FIG. 39 - CONTROL GROUP-BALE COMMAND
NET WRAP

REF	FN	PART NUMBER	FINIS	YR/SN	QTY	DESCRIPTION
1		711051			3	Clamp, 1-3/4"
		570821			2	Screw, Self-Tapping, HWH, 5/16" x 5/8"
		271288			1	Screw, Self-Locking, HWH, 5/16" x 5/8" USR
		145458			1	Nut, Flange, 5/16" USR
2		257492			7	Clamp, .56 x .25 Bolt
		523282			3	Nut, Flange, 1/4" USR
		523292			3	Screw, Self-Tapping, HWH, 1/4" x 3/4" USR
		677808			4	Screw, Self-Tapping, HWH, 1/4" x 5/8" USR
3	(1)	855457			1	Harness, Wire
		9842514			AR	Kit, Connector, 3 DT, Replaces 9612392
		9602128			AR	Kit Contacts, D16
		850072			AR	Clamp, Cable
		9602122			AR	Kit, Connector, 9
		9622758			AR	Ring, Coupling, 9
4	(3)	9843434			1	Controller, Micro Processor, Replaces 9840992
5		9602081			2	Support
		271288			4	Screw, Self-Locking, HWH, 5/16" x 5/8" USR
		145458			4	Nut, Flange, 5/6" USR
6		264795			4	Isolator
		523282			8	Nut, Flange, 1/4" USR
7	(2)(4)	855454			1	Harness, Wire
		851770			AR	Plug, Connector
		9602128			AR	Kit Contacts, D16-9
		850072			AR	Clamp, Cable
		9602122			AR	Kit, Connector, 9
		851769			AR	Kit, Pins Repair
		792026			AR	Ring, Split
8		675162			1	Clamp, Bolt, .25 x .38
		280430			1	Bolt, Carriage, G5, 3/8" x 3/4"
		247780			1	Nut, Flange, 3/8" USR
9		783681			1	Switch
		87943			2	Screw, Machine, #6 x 1", R.H.
		88458			2	Nut, #6
		88627			2	Washer, SAE, .12
		280154			2	Screw, Self-Tapping, Bolt, RDH, #6 x 1/2"
10		796719			1	Harness, Wire
11		46432			2/AR	Terminal, Electric Ring, #10
		59273			2/AR	Terminal, Electric Ring, 3/8"
		167169			2/AR	Terminal, Electric Ring, 1/2"
12		767893			1	Breaker, Circuit
		87826			2	Screw, Machine, #10 x 1" UNF
		280942			4	Nut, Kep, #10
	(3)	9827995			1	Auxiliary Wrap Eprom Kit

(1) - Leads from Wire Harness P/N 855457 Attach to P/N 9607595 Potentiometer & Twice to P/N 798746 Switch Proximity Assy.

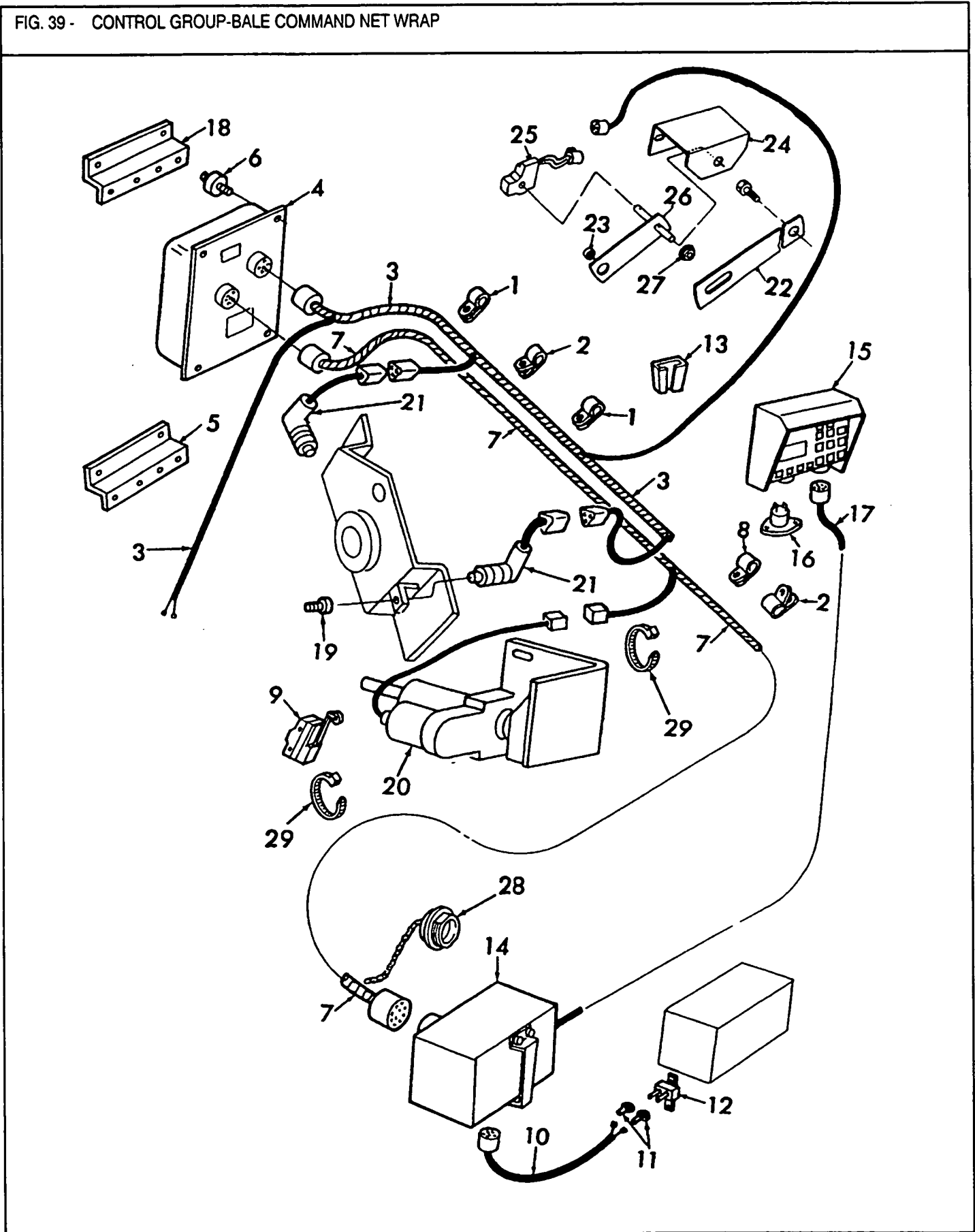
(2) - The Lead from Wire Harness P/N 855454 Attach to P/N 768929 Actuator.

(3) - P/N 9827995 Auxiliary Wrap Eprom Kit has software for Auxiliary Twine Wrapper control P/N 9840992 Ref. 4.

AR - As Required

MODEL 855 ROUND BALER

FIG. 39 - CONTROL GROUP-BALE COMMAND NET WRAP



MODEL 855 ROUND BALER

FIG. 39 - CONTROL GROUP-BALE COMMAND
NET WRAP

REF	FN	PART NUMBER	FINIS	YR/SN	QTY	DESCRIPTION
13		847590			1	Socket
14		9610530			1	Junction Box Assy. (Refer to Component Breakdown)
15		855428			1	Operator's Panel Assy. Includes: Ref. 22
16		9615196			2	Lamp
		792031			1	Alarm, Audible
		281037			2	Screw, Self-Tapping, AB, Pan Hd., #4 x 3/8"
17	(5)	9616247			1	Wire Harness Operator Panel Assy.
		9622758			AR	Ring, Coupling 9
18		9616654			1	Support
		271288			2	Screw, Self-Locking, HWH, 5/16" x 5/8" USR
		145458			2	Nut, Flange, 5/16" USR
19		694181			1	Magnet Assy.
		84968			2	Nut, Jam, 5/16"
20		768929			1	Actuator
		27373			1	Washer
21	(4)	9806432			2	Wire Harness Hall Switch, Replaces 9607743
		9842514			1	Connector Kit, 3DT, Replaces 9612392
22		9617033			1	Link
		80700			1	Washer, 1/2"
		80756			1	Screw, Cap, 1/8" x 3/4"
		304720-S36			1	Screw, Cap, HH, G5, 5/16" x 1-1/4", Replaces 87657
		80664			2	Washer, 5/16"
		34791-S36			1	Washer, Lock, 5/16"
		84943			1	Nut, 5/16"
23		633492			1	Spacer
24		9615827			1	Channel
		87758			2	Screw, Machine, Truss Hd., #8 x 1"
		87812			2	Washer, Lock, #8
		87653			2	Nut, #8
		88612			4	Washer, SAE, 3/16"
25		9607595			1	Potentiometer
		714555			2	Screw, Self-Locking, HWH, 3/8" x 1" USR
26		9615829			1	Arm Weld Assy.
		80756			1	Pin, Cotter, 1/8" x 3/4"
27		9828027			2	Bushing, Replaces 133246
28		788614			1	Cover, Dust
29		263117			2	Tie, Cable

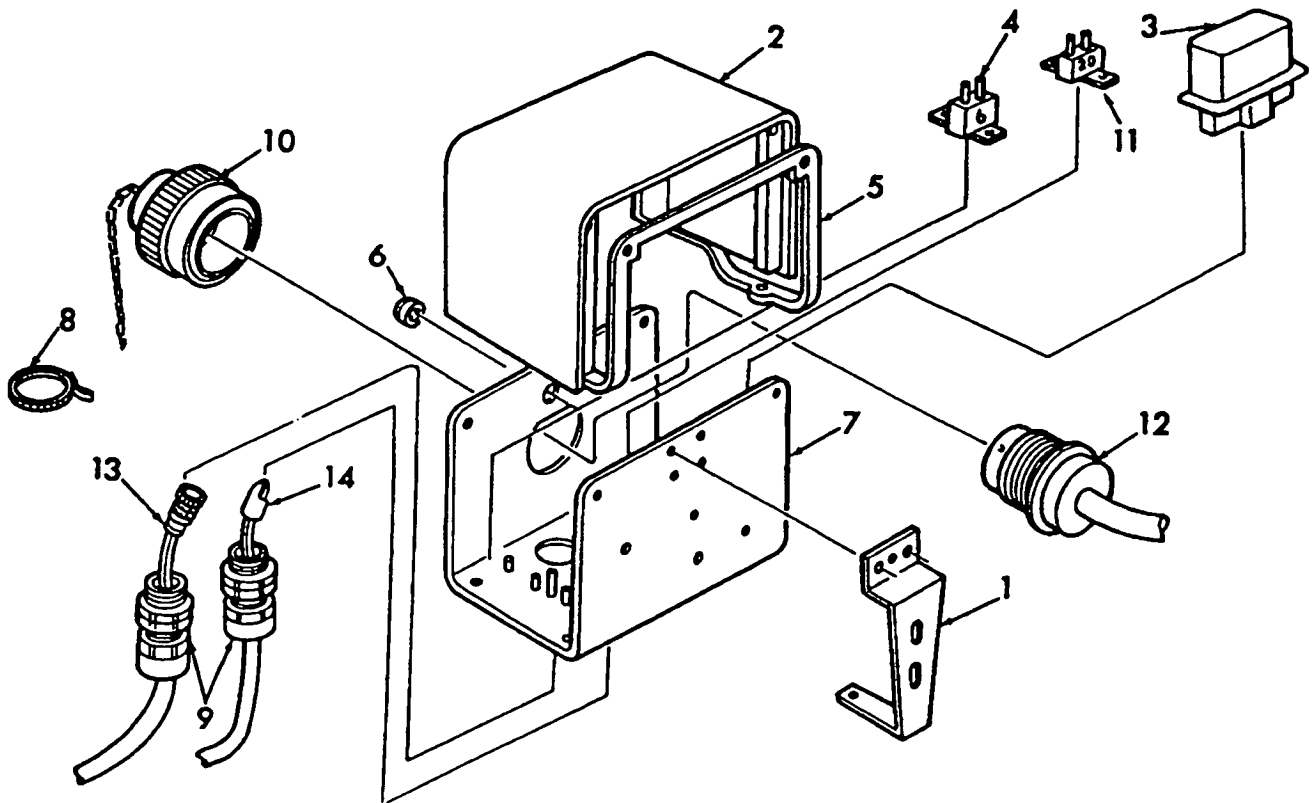
(4) - 9842514 Connector Kit, 3DT Includes: (1) Wedge Receptacle, (1) Connector Receptacle 3, (1) Wedge Plug & Connector Plug 3 (Used W/Old Style Switch Hall Assembly, P/N 9607743).

(5) - Refer to pg. 1-211 for detailed breakdown of Wire Harness PN 9616247.

AR - As Required

MODEL 855 ROUND BALER

FIG. 40 - JUNCTION BOX ASSEMBLY NET WRAP ATTACHMENT



MODEL 855 ROUND BALER

FIG. 40 - JUNCTION BOX ASSEMBLY
NET WRAP ATTACHMENT

REF	FN	PART NUMBER	FINIS	YR/SN	QTY	DESCRIPTION
1		9610530			1	Junction Box Assy. Includes: Ref. 2 thru 14
		9611439			1	Bracket
		280236			2	Nut, Lock, 5/16"
		80664			4	Washer, 5/16"
		30420S36			2	Screw, Cap, HH, G5, 5/16" x 1-1/4", Replaces 87657
		88542			1	Screw, Cap, HH, G5, 1/4" x 1/2"
		80682			1	Washer, Lock, 1/4"
		87361			1	Washer, SAE, 1/4"
		281024			2	Screw, Machine, Pan Hd., #10 - 32 x 1/2"
		280942			2	Nut, Kep, #10 - 32
		84467			2	Machine Screw, Truss Hd., 1/4" x 1/2"
	523282			2	Nut, Flange, 1/4" x 20 USR	
2		9611195			1	Cover Assy.
		281024			4	Screw, Machine, Pan Hd., #10 - 32 x 1/2"
3		280942			4	Nut, Kep, #10 - 32
		859973			2	Relay
4		768106			1	Breaker, Circuit
		280942			10	Nut, Kep, #10 - 32
5		9611216			1	Gasket
	6	(2)	604727		1	Plug, Button
		280254			8	Washer, Lock, Int. T, #10
7		281024			8	Screw, Machine, Pan Hd., #10 - 32 x 1/2"
		9847286			1	Junction Box Weld Assy. (New Style) Replaces 9610528 (Old Style)
8		263117			1	Tie, Cable
	9	(1)	791697		2	Relief, Strain (Old Style)
10		(1)	9847280		2	Relief, Strain (New Style)
		767456			1	Plug, Dust Cover
	636666			1	Nut	
	636665			1	Washer, Lock	
11		768120			1	Breaker, Circuit
		280942			10	Nut, Kep, #10 - 32
	254378			1	Wire	
12		9610529			1	Harness, Wire, Junction Box
13	(3)	9616247			1	Harness, Wire, Operator's Panel Assembly
		9622758			AR	Ring, Coupling 9
14		858559			1	Harness, Wire, Power Assembly

(1) - When replacing the Strain Relief for the (New Style) Junction Box W/A P/N 9847286 P/N 9847280 must be ordered. Strain Relief P/N 791697 should only be used with (Old Style) Junction Box W/A P/N 9610528.

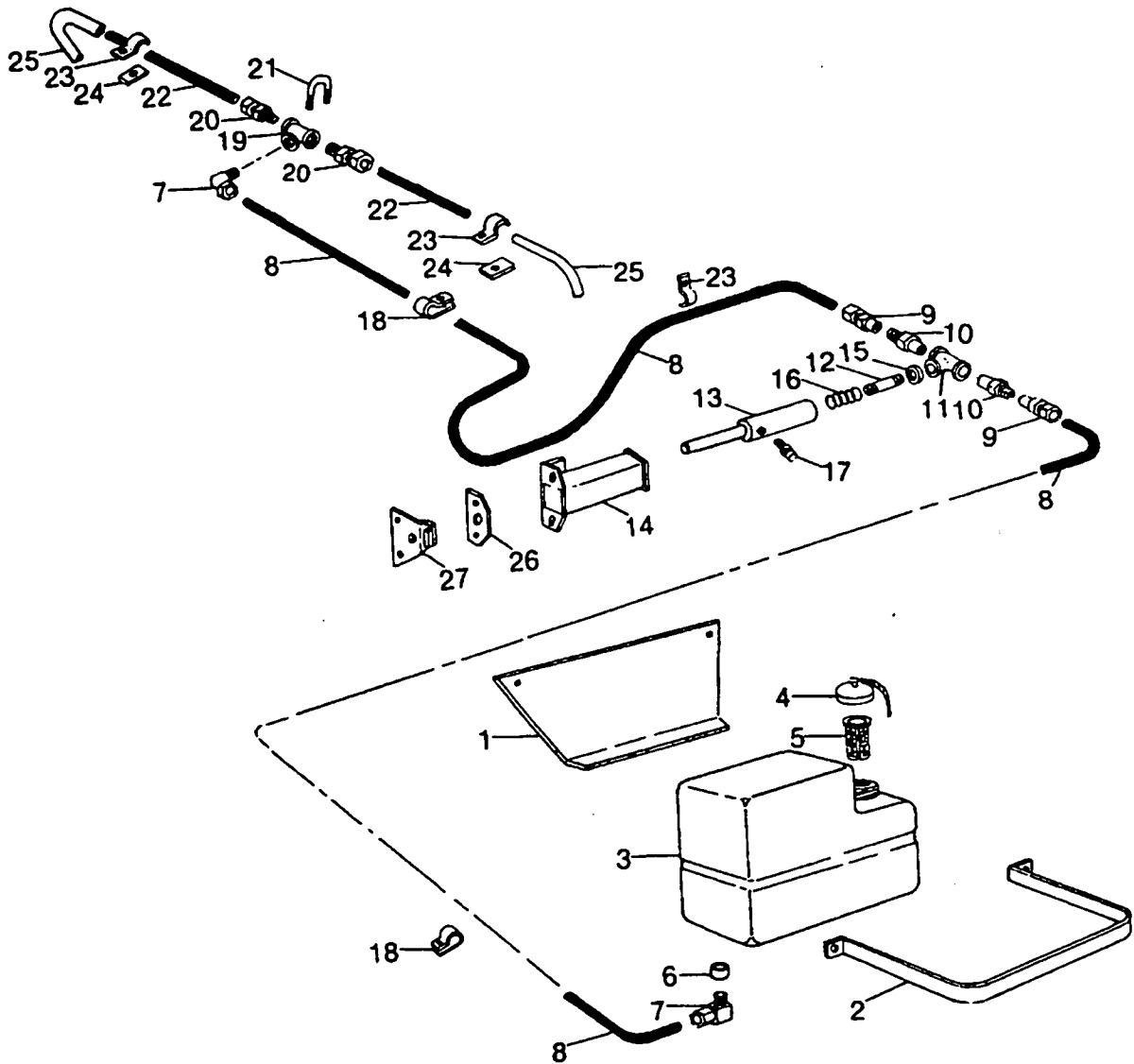
(2) - P/N 604727 Plug Button & attaching hardware is not used with Ref. #7 the (New Style) Junction Box W/A P/N 9847286.

(3) - Refer to Pg. 1-211 for detailed breakdown of Wire Harness PN 9616247.

AR - As Required.

MODEL 855 ROUND BALER

FIG. 41 - APRON CHAIN OILER BUNDLE USED ON & BSN 696374



MODEL 855 ROUND BALER

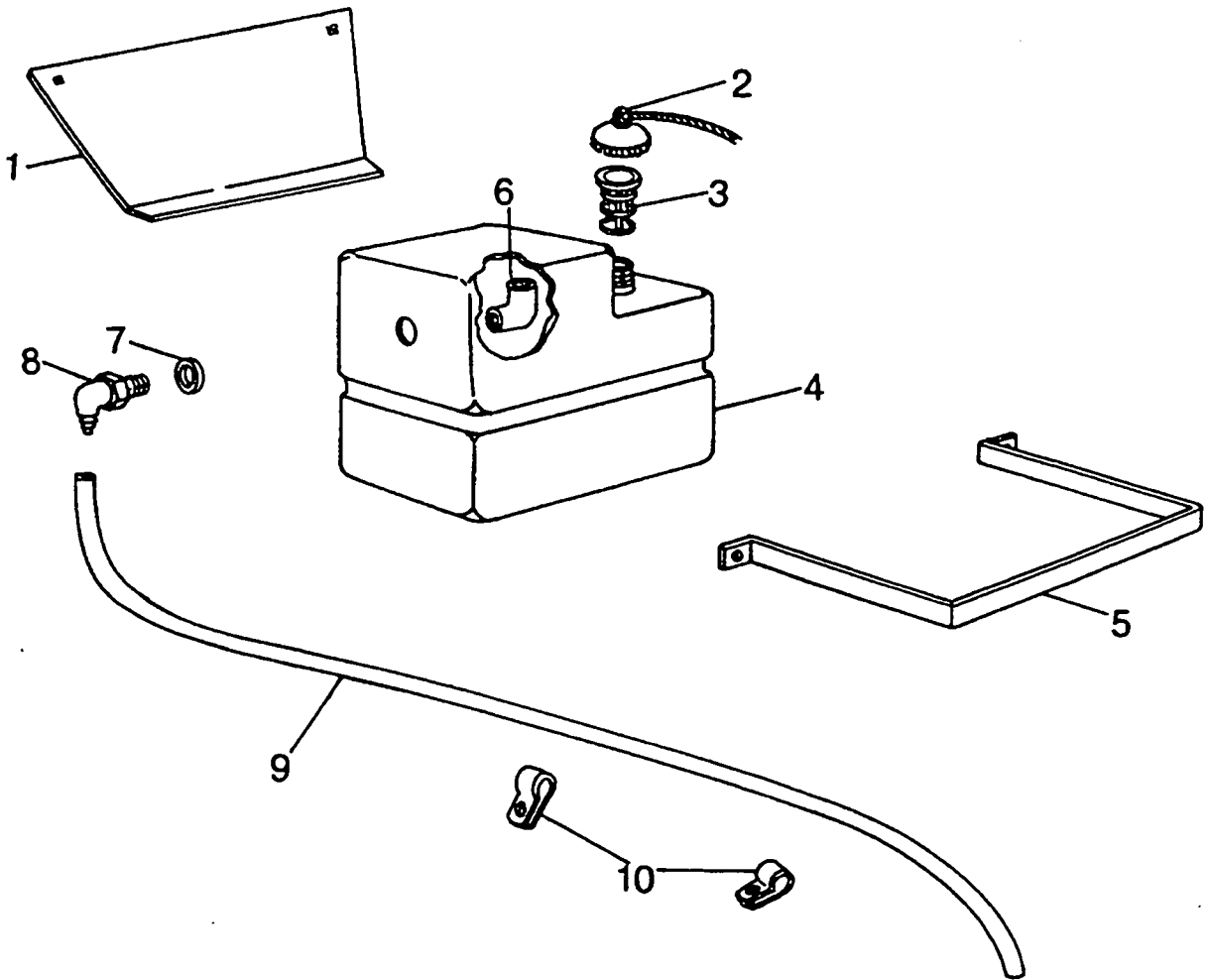
FIG. 41 - APRON CHAIN OILER BUNDLE -
USED ON & BSN 696374

REF	FN	PART NUMBER	FINIS	YR/SN	QTY	DESCRIPTION
1		684455			1	Bracket
2		675126			1	Strap
		87039			2	Bolt, Step, 5/16" x 1"
		34791-S36			2	Washer, Lock, 5/16", Replaces 80681
		84943			2	Nut, 5/16"
3		675058			1	Reservoir
4		786578			1	Cap, Replaces 687970
5		675056			1	Strainer
6		685184			1	Sleeve
7		167353			2	Elbow, Male
8		604972			AR	Hose, 3/8" OD, Cut to Length Required
9		685183			2	Connector, Female
10		635027			2	Valve, Flow
11		88793			1	Tee, 1/4"
12		88931			1	Nipple, 1/4" x 3"
13		595671			1	Cylinder, Oil Pump
14		685058			1	Bracket Weld Assy.
		690341			4	Screw, Lock, Thread-Forming, 5/16" x 5/8" USR
15		11117			AR	Washer
16		691126			1	Spring
17		517700			1	Filter
18		229373			AR	Clamp
		690341			AR	Screw, Lock, Thread-Forming, 5/16" x 5/8" USR
19		88793			1	Tee, 1/4"
20		236681			2	Connector, Male
21		690340			1	U-Bolt, #10
		88612			2	Washer, #10
		80684			2	Washer, Lock, #10
		87304			2	Nut, #10
22		716189			AR	Hose, 5/16" OD, Cut to Length Required
23		184064			2	Clip
24		9617858			2	Plate, Replaces 121261
		88543			2	Screw, Cap, HH, G5, 5/16" x 1"
		34791-S36			2	Washer, Lock, 5/16", Replaces 80681
		84943			2	Nut, 5/16"
25		649260			2	Tube, 1/2" OD
26		698255			1	Flat
		304760-S36			2	Screw, Cap, HH, G5, 3/8" x 1-1/2", Replaces 88044
		87016			2	Washer, 3/8"
		80680			2	Washer, Lock, 3/8"
		84944			2	Nut, 3/8"
27		691419			1	Bracket Weld Assy.
		690341			3	Screw, Lock, Thread-Forming, 5/16" x 5/8" USR

AR - As Required

MODEL 855 ROUND BALER

FIG. 42 - APRON CHAIN OILER BUNDLE USED ON & ASN 696375



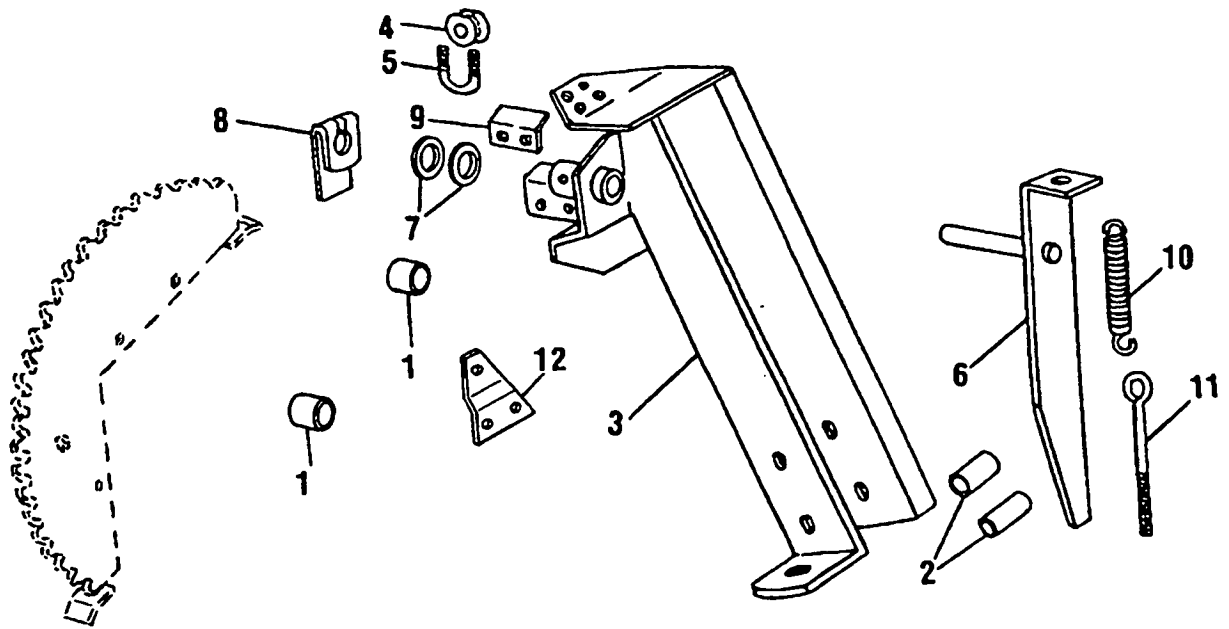
MODEL 855 ROUND BALER

FIG. 42 - APRON CHAIN OILER BUNDLE -
USED ON & ASN 696375

REF	FN	PART NUMBER	FINIS	YR/SN	QTY	DESCRIPTION
1		684455			2	Bracket
2		786578			2	Cap
3		675056			2	Strainer
4		783501			2	Reservoir
5		675126			2	Strap
		280140			2	Screw, Cap, HWH, 5/16" x 5/8"
6		783504			2	Elbow
7		794034			2	Washer
8		783503			2	Elbow
9		785190			2	Tubing, Cut to Length Required
10		708182			4	Clamp
		570821			4	Screw, Lock, Thread-Forming, 5/16" x 5/8"

MODEL 855 ROUND BALER

FIG. 43 - SECONDARY TWINE TENSION KIT



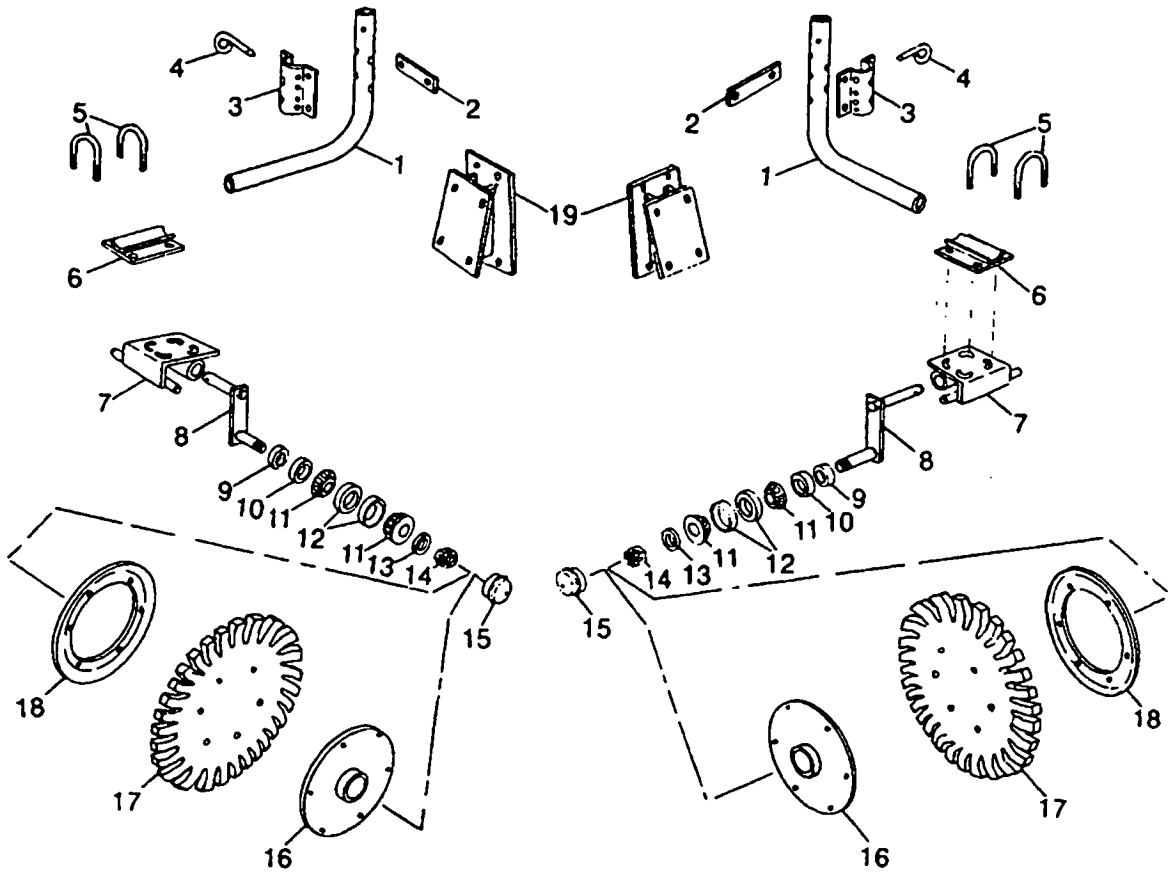
MODEL 855 ROUND BALER

FIG. 43 - SECONDARY TWINE TENSION KIT

REF	FN	PART NUMBER	FINIS	YR/SN	QTY	DESCRIPTION
1		175444			2	Roller
		88275			2	Screw, Cap, HH, G5, 5/16" x 1-1/2"
		34791-S36			2	Washer, Lock, 5/16", Replaces 80681
		84943			4	Nut, 5/16"
2		846671			2	Spacer
3		602358			1	Support Weld Assy.
		87414			1	Fitting, Lube, 1/4" - 28
		300890-S36			2	Screw, Cap, HH, G5, 5/16" x 3", Replaces 88731
		80664			2	Washer, 5/16"
		34791-S36			2	Washer, Lock, 5/16", Replaces 80681
	84943			2	Nut, 5/16"	
4		28110			1	Guide, Twine
		28114			1	U-Bolt
5		80684			2	Washer, Lock, #10
		87304			2	Nut, #10
6		602359			1	Lever Weld Assy.
7		87365			2	Washer, 5/8" SAE
		602367			1	Clamp
8		88436			1	Screw, Cap, HH, G5, 3/8" x 2"
		285072			2	Washer, Special
		84944			1	Nut, 3/8"
9		700039			1	Angle
		88146			2	Screw, Cap, HH, G5, 1/4" x 1"
		280129			2	Nut, Lock, GC, 1/4"
10		00016			1	Spring
		27953			1	Bolt, Eye
11		84943			2	Nut, 5/16"
12		647201			1	Bracket
		280327			2	Bolt, Carriage, G5, 5/16" x 3/4"
		34791-S36			2	Washer, Lock, 5/16", Replaces 80681
		84943			2	Nut, 5/16"

MODEL 855 ROUND BALER

FIG. 44 - CROP SAVER WHEEL BUNDLE



MODEL 855 ROUND BALER

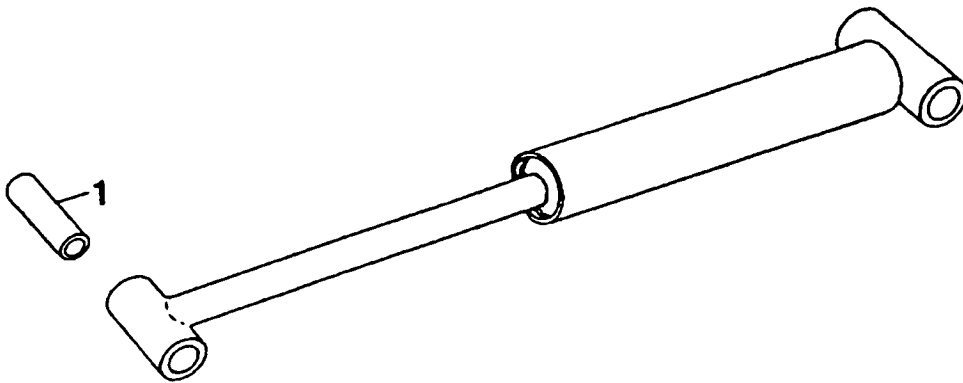
FIG. 44 - CROP SAVER WHEEL BUNDLE

REF	FN	PART NUMBER	FINIS	YR/SN	QTY	DESCRIPTION
1		859583			2	Bundle, Crop Saver Wheel
2		798134			2	Pipe, Replaces 796046
3		796284			2	Shim
		88011			2	Bracket
		87016			8	Screw, Cap, HH, G5, 3/8" x 1-1/4"
		285072			16	Washer, 3/8" SAE
					8	Washer
4		796456			2	Pin
		216698			AR	Cotter, Hairpin
5		850056			4	U-Bolt
		285072			8	Washer
		88902			8	Nut, Lock, GC, 3/8"
6		796772			2	Clamp Weld Assy.
7		859582			2	Plate Weld Assy., Replaces 796769
8		796775			2	Crank Weld Assy.
		26301			2	Washer
		26402			8	Washer
		87398			2	Pin, Cotter, 3/16" x 1-1/4"
		80754			2	Pin, Cotter, 3/16" x 1-1/2"
9		714411			2	Collar
10		136376			2	Seal
11		132709			4	Cup, Tapered Roller Bearing
12		132710			4	Cone, Tapered Roller Bearing
13		26301			2	Washer
14		603373			2	Nut, Jam Slotted
15		200734			2	Cap
16		796762			2	Disc Weld Assy.
		88845			12	Bolt, Carriage, G5, 5/16" x 1-3/4"
		280736			12	Nut, Lock, GC, 5/16"
17		855357			1	Wheel, Rubber, Replaces 796766
18		796768			2	Ring
19		858791			2	Bracket Weld Assy.

AR - As Required

MODEL 855 ROUND BALER

FIG. 45 - TWINE WRAPPER KIT HYDRAULIC CYLINDER USED ON & BSN 706837



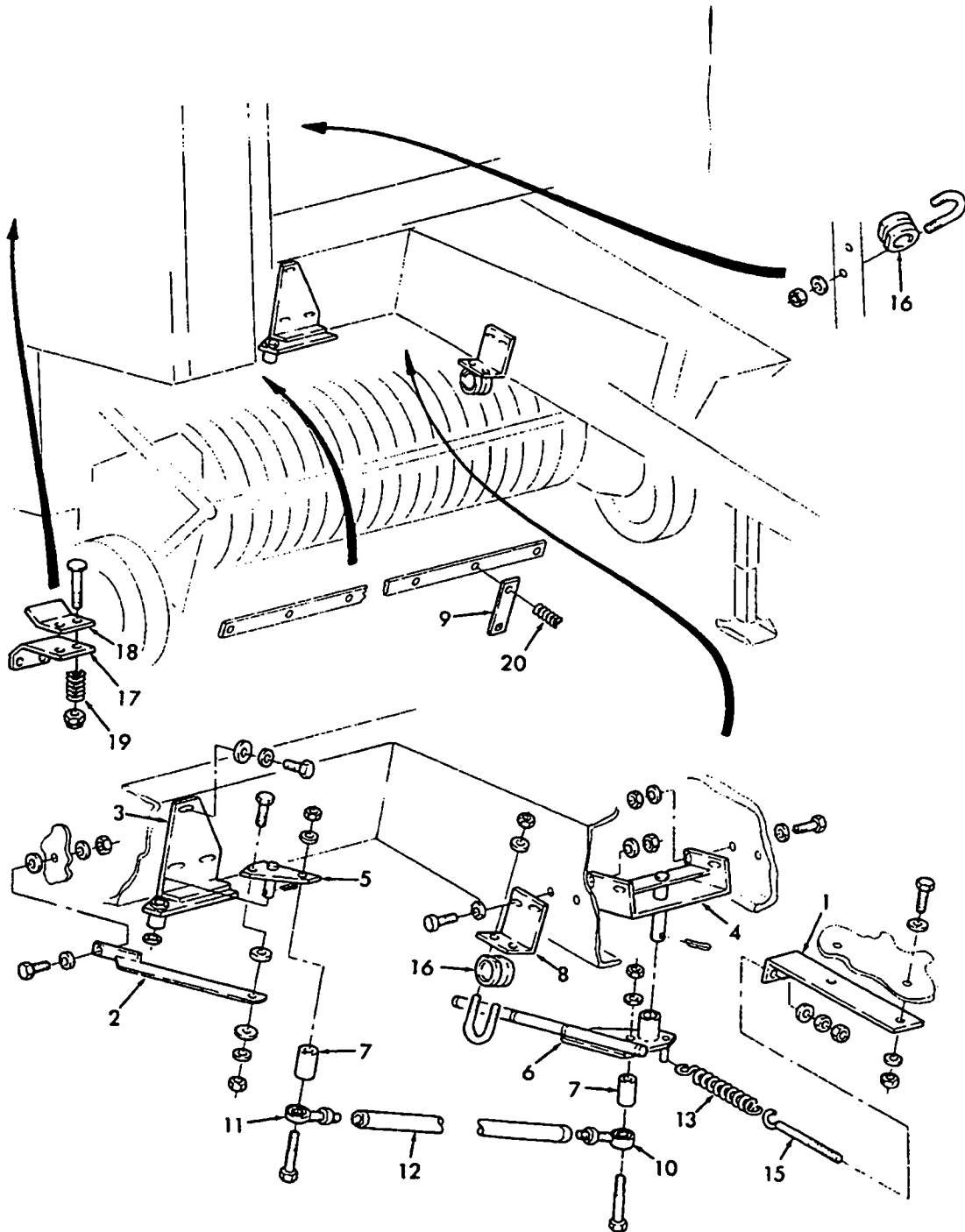
MODEL 855 ROUND BALER

FIG. 45 - TWINE WRAPPER KIT
HYDRAULIC CYLINDER -
USED ON & BSN 706837

REF	FN	PART NUMBER	FINIS	YR/SN	QTY	DESCRIPTION
1		592745 592896			1	Cylinder Assy., Complete Bushing (Component of Cylinder Assy., P/N 592745)

MODEL 855 ROUND BALER

FIG. 46 - AUXILIARY TWINE WRAPPER BUNDLE



MODEL 855 ROUND BALER

FIG. 46 - AUXILIARY TWINE WRAPPER BUNDLE

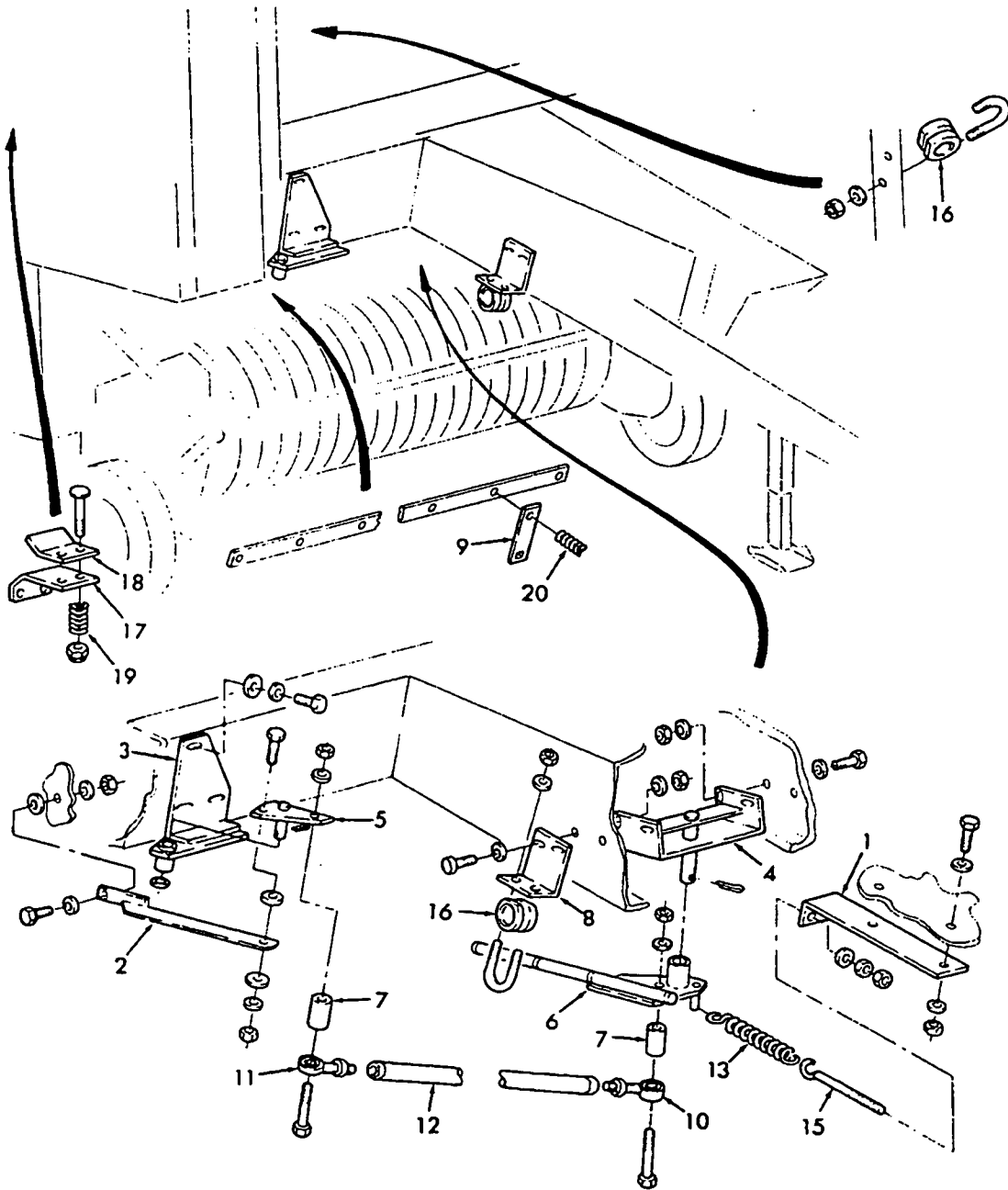
REF	FN	PART NUMBER	FINIS	YR/SN	QTY	DESCRIPTION
1		9801592			1	Arm
		88206			1	Screw, Cap, HH, .38" x 1.00"
		84944			2	Nut, .38"
		80680			2	Washer, Lock, .38"
		80702			2	Washer, .38"
2		9802729			1	Strap Weld Assy.
		141979			2	Spacer
		88011			1	Screw, Cap, HH, G5, .38" x 1.25"
		88428			1	Screw, Cap, HH, G5, .38" x 1.75"
		84944			2	Nut, .38"
		80702			3	Washer, .38"
		80680			3	Washer, Lock, .38"
3		9802730			1	Mount Weld Assy.
		88681			3	Bolt, Carriage, G5, .38" x 1.25"
		80680			3	Washer, Lock, .38"
		80702			3	Washer, .38"
4		9801635			1	Wedge Weld Assy.
		88206			2	Screw, Cap, HH, G5, .38" x 1.00"
		88428			2	Screw, Cap, HH, G5, .38" x 1.75"
		80702			4	Washer, .38"
		84944			4	Nut, .38"
		80680			4	Washer, Lock, .38"
		87718			1	Pin, Spring, 1/4" x 2"
5		9801600			1	Plate Weld Assy.
		26402			AR	Washer
		87400			1	Pin, Cotter, 3/16" x 2"
6	(1)	9801601			1	Channel Weld Assy.
7		129101			2	Tube
8		9802726			1	Bracket
9		48151			2	Brace
		88275			2	Screw, Cap, HH, G5, .31" x 1.50"
		80664			2	Washer, .31"
		88199			2	Nut, Lock, GB, 5/16" UNF
10		614445			1	Bearing, Spherical, Rod End, Thread, L.H.
		87972			1	Screw, Cap, HH, G5, .50" x 2.50"
		80679			1	Washer, Lock, .50"
		280431			1	Nut, G5, .50"
11		618883			1	Bearing, Spherical, Rod End, Thread, R.H.
		87972			1	Screw, Cap, HH, G5, .50" x 2.50"
		80679			1	Washer, Lock, .50"
		280431			1	Nut, G5, .50"
		88722			1	Nut, Jam, LHT, 1/2" UNF
12		9802728			1	Link Weld Assy.
13		35544			1	Spring, Extension
15		138539			1	Bolt, Eye
		84944			2	Nut, .38"
		80702			1	Washer, .38"
	(1)	9827997			1	Kit, Auxiliary Wrap Twine Loop
		35948			1	Spring, Dog, L.H.

(1) - Auxiliary Wrap Twine Loop Kit attaches to Ref. #6. Its purpose is to eliminate twine getting caught by pickup lines.

AR - As Required

MODEL 855 ROUND BALER

FIG. 46 - AUXILIARY TWINE WRAPPER BUNDLE



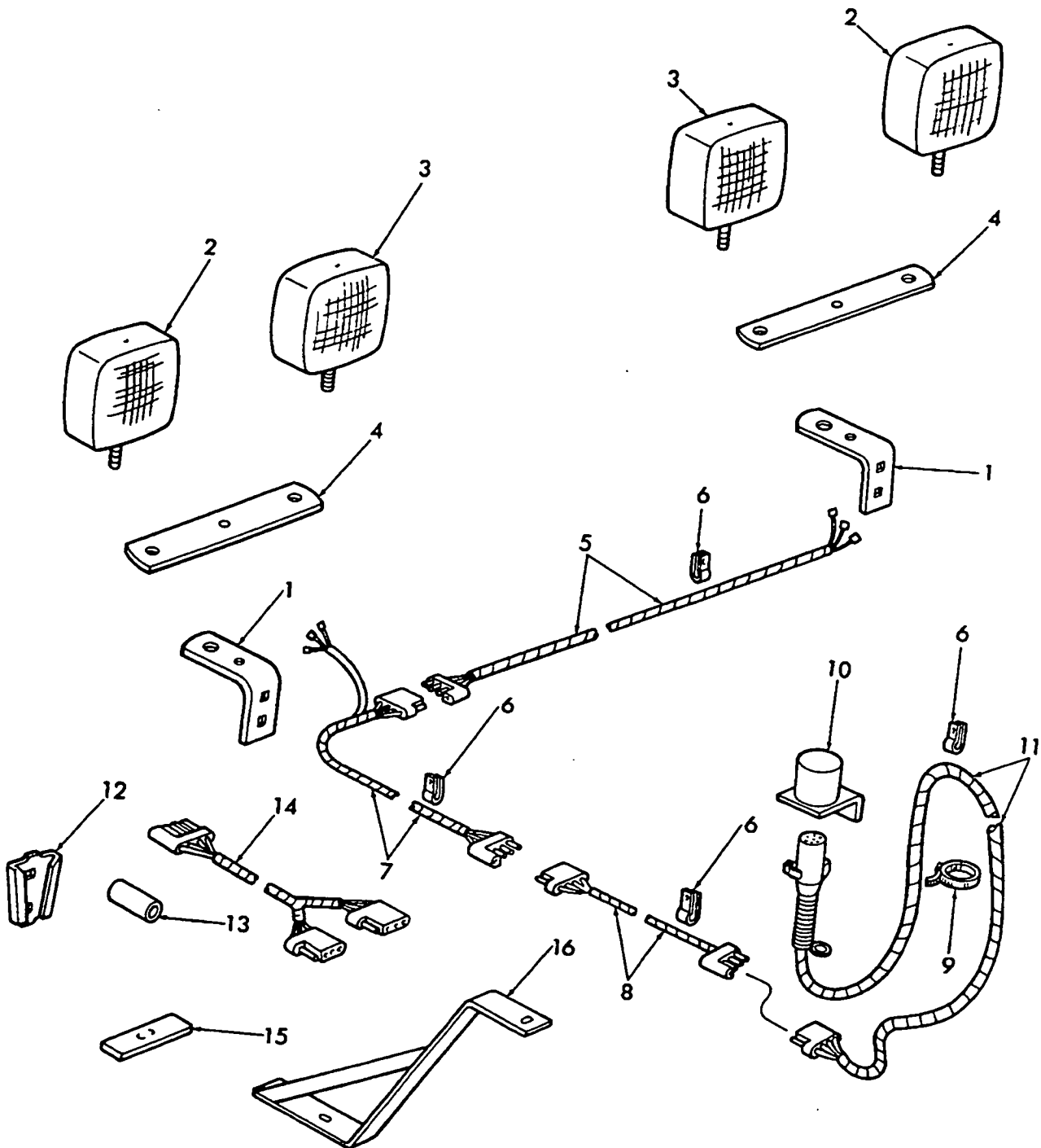
MODEL 855 ROUND BALER

FIG. 46 - AUXILIARY TWINE WRAPPER BUNDLE

REF	FN	PART NUMBER	FINIS	YR/SN	QTY	DESCRIPTION
16		28110			2	Guide
		28114			2	Bolt
		80684			4	Washer, Lock, #10
		87304			4	Nut, #10
17		692449			1	Angle
18		700039			1	Angle
19		00025			2	Spring
		300858-S36			2	Screw, Cap, HH, G5, .25 x 1.75, Replaces 280164
		280129			2	Nut, Lock, GC, .25
20		11104			2	Spring

MODEL 855 ROUND BALER

FIG. 47 - TRAILING LIGHT KIT



MODEL 855 ROUND BALER

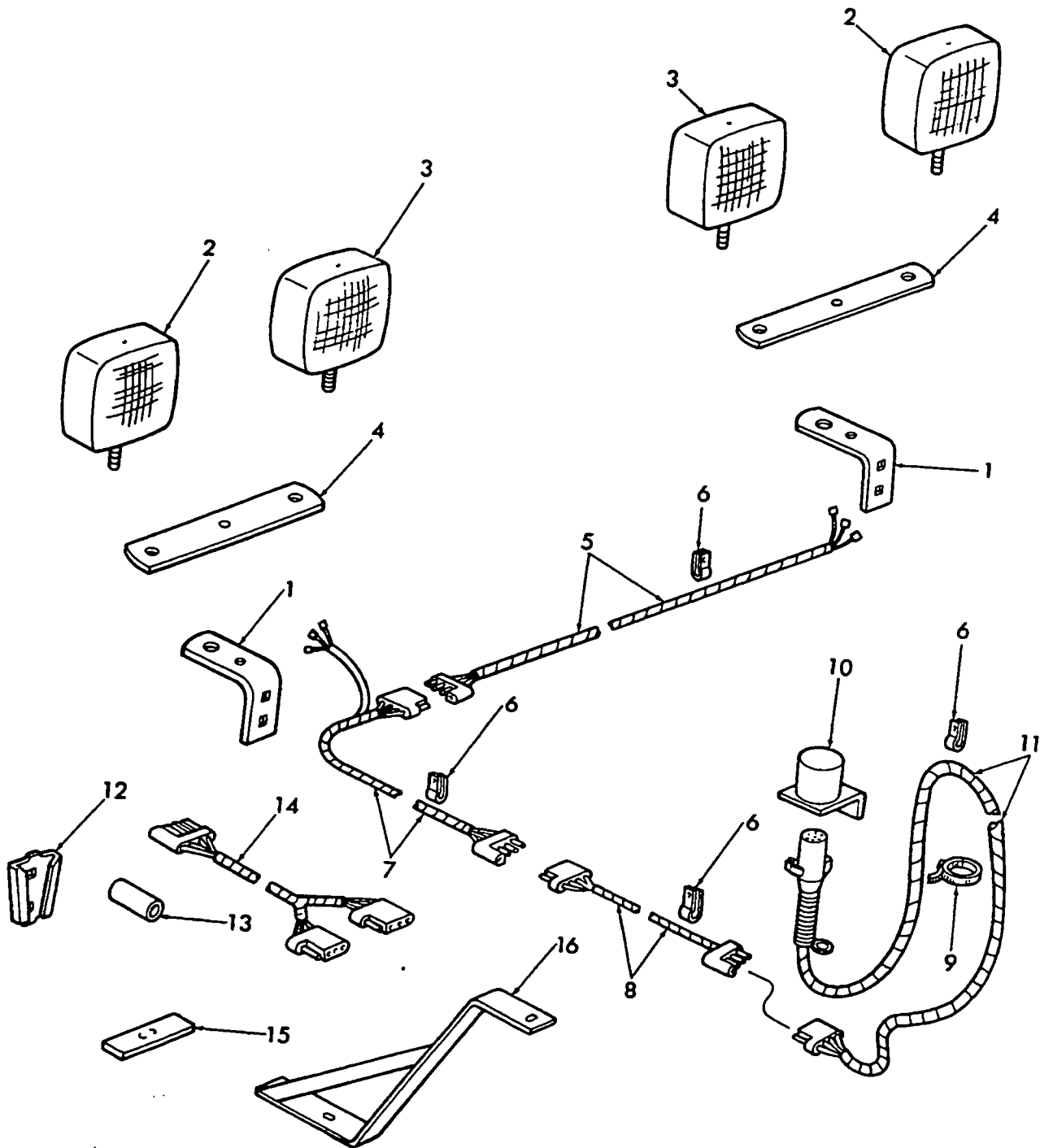
FIG. 47 - TRAILING LIGHT KIT

REF	FN	PART NUMBER	FINIS	YR/SN	QTY	DESCRIPTION
		9609988			1	Kit, Trailing Light Includes: Ref. 1 thru 16
1		9611464			2	Bracket, Lamp
		570821			4	Screw, Self-Tapping, HWH, 5/16" x 5/8"
2		608852			2	Lamp, Double Face, Amber
		80679			2	Washer, Lock, 1/2"
		80700			2	Washer, 1/2"
		280963			2	Nut, G5, 1/2"
		853710			4	Lens, Amber
		529068			2	Lamp, Bulb
		853709			2	Gasket
		80664			2	Washer, Flat, 5/16"
		34791-S36			2	Washer, Lock, 5/16", Replaces 80681
		145458			2	Nut, Flange, 5/16" USR
3		608851			2	Lamp, Double Face, Red
		80679			2	Washer, Lock, 1/2"
		80700			2	Washer, 1/2"
		280963			2	Nut, G5, 1/2"
		853711			2	Lens, Red
		853710			2	Lens, Amber
		529068			2	Lamp, Bulb
		853709			2	Gasket
		80664			2	Washer, Flat, 5/16"
		34791-S36			2	Washer, Lock, 5/16", Replaces 80681
		145458			2	Nut, Flange, 5/16" USR
4		9611465			2	Bracket
5		9612080			1	Harness, Wire
		145913			1	Screw, Self-Locking, HWH, 5/16" x 3/4"
		145458			1	Nut, Flange, 5/16" USR
6		134577			5	J-Clamp
		237980			1	Clamp, Bolt .44 x .26
		576020			4	Clamp
		627040			21	Clamp, Bolt, .38 x .38
7		9612079			1	Harness, Wire
		145913			AR	Screw, Self-Locking, HWH, 5/16" x 3/4"
		145458			AR	Nut, Flange, 5/16" USR
		570821			2	Screw, Self-Tapping, HWH, 5/16" x 5/8"
8		9612727			1	Harness, Wire
		714555			AR	Screw, Self-Locking, HWH, 5/16" x 3/4"
		247780			AR	Nut, Flange, 3/8" USR
		627040			1	Clamp, 3/8"
		80664			AR	Washer, .31 NA2031
		88346			AR	Screw, Cap, HH, G5, .31 x 2.50 NA2024
		88544			AR	Screw, Cap, HH, G5, .31 x 2.00 NA2024
		523282			AR	Nut, Flange, 1/4" USR
		570821			1	Screw, Self-Tapping, HWH, 5/16" x 5/8"
		145458			1	Nut, Flange, 5/16" USR

AR - As Required

MODEL 855 ROUND BALER

FIG. 47 - TRAILING LIGHT KIT



MODEL 855 ROUND BALER

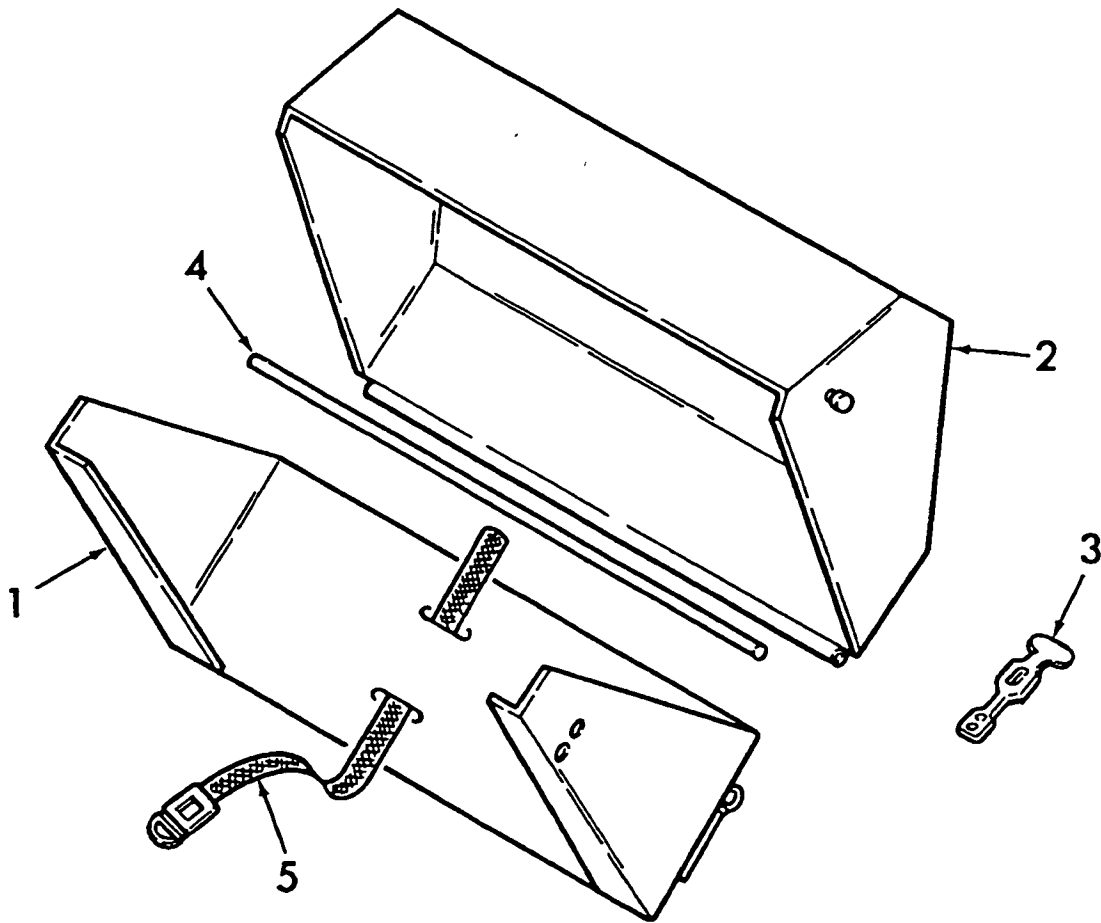
FIG. 47 - TRAILING LIGHT KIT

REF	FN	PART NUMBER	FINIS	YR/SN	QTY	DESCRIPTION
9		263117			12	Tie, Cable
		594116			2	Band, Plastic
10		9611467			1	Holder, Plug
		677808			2	Screw, Self-Tapping, HWH, 1/4" x 5/8" USR
11		794009			1	Harness, Wire
12	(1)	847590			2	Socket Assy.
13	(1)	846671			1	Spacer
14	(2)	9616365			1	Harness, Wire, Y-Connector
15	(1)	621326			4	Pad
16	(1)	9616272			2	Bracket Weld Assy.

- (1) - These Parts are Included in the Trailing Light Kit so the Kit can be Adapted to Various Models Across All Product Lines.
- (2) - Needed on Some Models to Run Light Kit Wire Harness Along Both Sides of Unit.

MODEL 855 ROUND BALER

FIG. 48 - SPARE NET BOX BUNDLE NET WRAP ONLY



MODEL 855 ROUND BALER

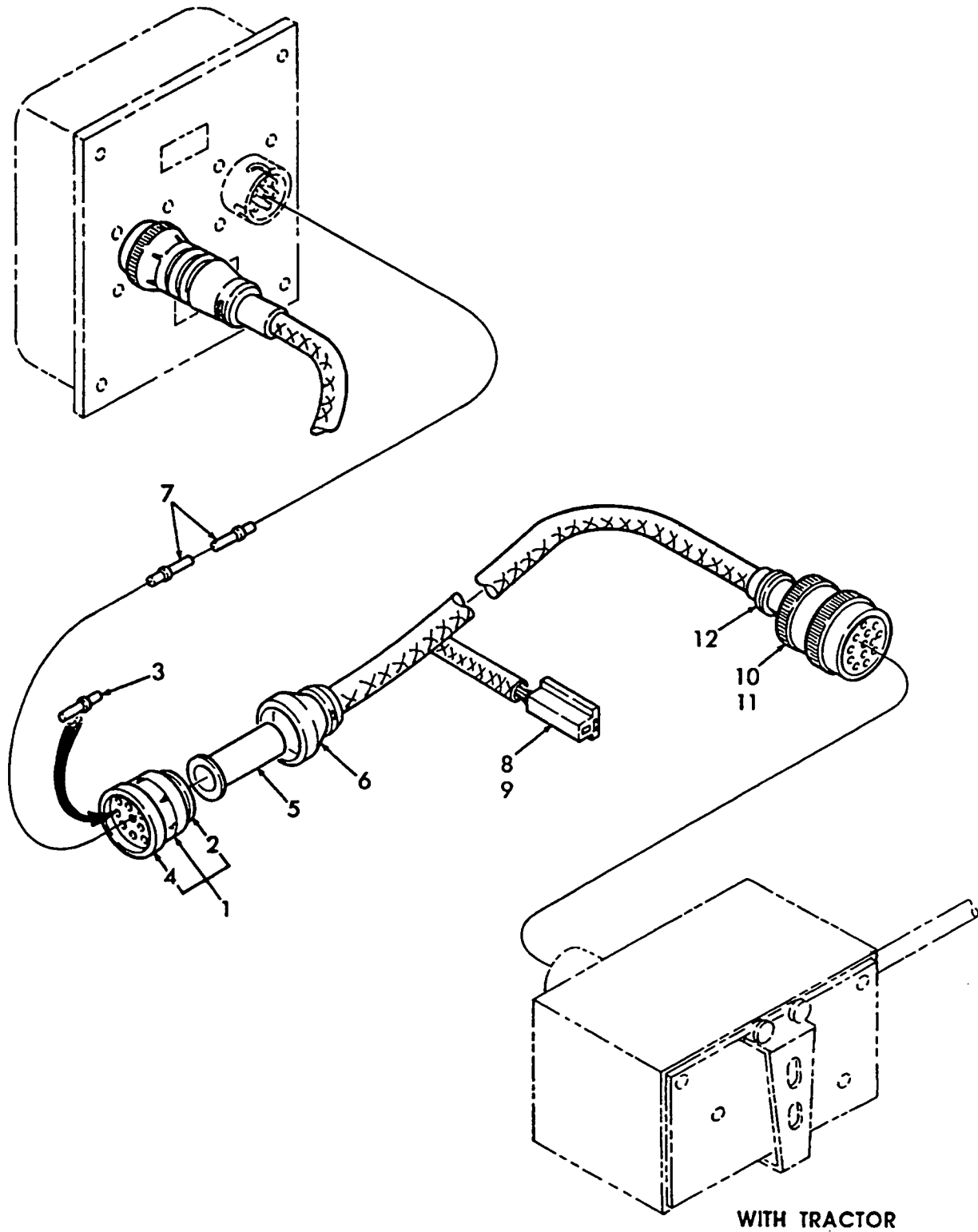
FIG. 48 - SPARE NET BOX BUNDLE -
NET WRAP ONLY

REF	FN	PART NUMBER	FINIS	YR/SN	QTY	DESCRIPTION
1	(1)	9616799 280275 80664 280736			1 1 4 4 4	Bundle, Spare Nut Box (Complete) Includes: Ref. 1 thru 5 Support Weld Assy. Screw, Cap, HH, G5, .31" x 3.25" Washer, Plated, .31" Nut, Lock, GC, .31"
2		9616848			1	Hood Weld Assy.
3		630118 280129 44720-S36DS 88832			2 4 4 4	Latch Nut, Lock, GC, 1/4" Washer, 1/4", Replaces 80701 Bolt, Carriage, G5, 1/4" x 3/4"
4		9617449			1	Pin, Hinge
5		9615480			1	Strap

(1) - Complete Bundle, P/N 9622011 is Available from Whole Goods.

MODEL 855 ROUND BALER

FIG. 49 -WIRING HARNESS - CONTROL TO ROUND BALER



MODEL 855 ROUND BALER

FIG. 49 - WIRING HARNESS - CONTROL TO ROUND BALER

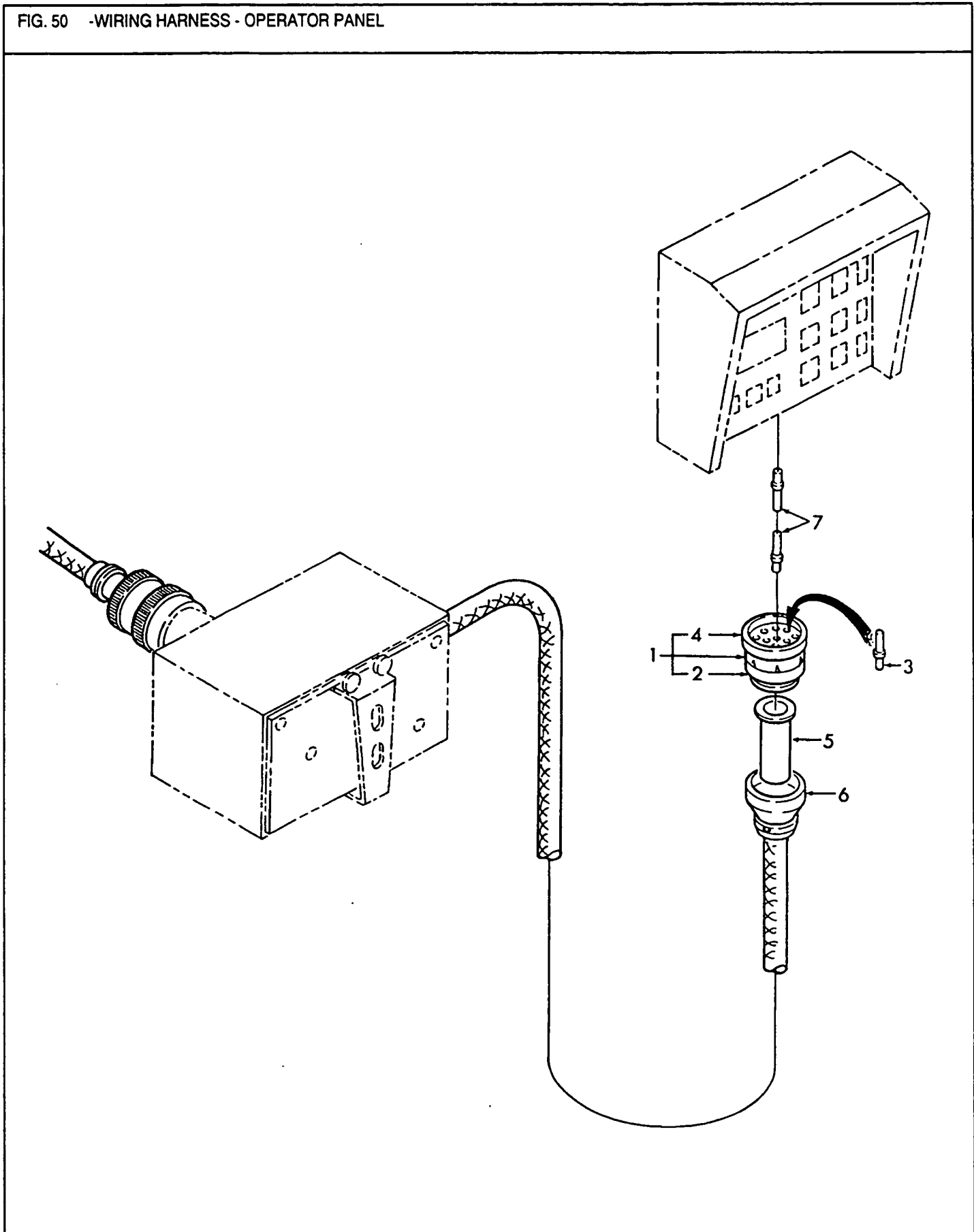
REF	FN	PART NUMBER	FINIS	YR/SN	QTY	DESCRIPTION
	(1)	855454			1	Harness, Wire, Control to Round Baler
1		9602122			1	Includes: Ref. 1 thru 12 Kit, Connector 9
2		9609191			1	Includes: Ref. 2 thru 4 Plug, Connector 9
3		900364			AR	Socket
4		9622758			1	Ring, Coupling 9
5		9619682			1	Bushing, MS 3420-12
6		850072			1	Clamp, Cable
7		9602128			1	Kit, Contacts D16
8		248712			1	Body, Connector
9		900613			AR	Terminal, G18
10		851770			1	Plug, Connector
11		851769			1	Pins, Repair Kit
12		792026			1	Ring, Split

(1) - This Wire Harness is also used on the 650, 853 & 848 Round Balers.

AR - As Required.

MODEL 855 ROUND BALER

FIG. 50 -WIRING HARNESS - OPERATOR PANEL



MODEL 855 ROUND BALER

FIG. 50 - WIRING HARNESS - OPERATOR PANEL

REF	FN	PART NUMBER	FINIS	YR/SN	QTY	DESCRIPTION
	(1)	9616247			1	Harness, Wiring, Operator Panel Includes Ref. 1 thru 7
1		9602122			1	Kit, Connector 9 Includes: Ref. 2 thru 4
2		9609191			1	Plug, Connector 9
3		900364			AR	Socket
4		9622758			1	Ring, Coupling 9
5		9619682			1	Bushing, MS 3420-12
6		850072			1	Clamp, Cable
7		9602128			AR	Kit, Contacts D16

(1) - This Wire Harness is also used on the 650, 853 & 848 Round Balers.

AR - As Required

MODEL 855 ROUND BALER

RECOMMENDED INITIAL PARTS STOCK LIST

DEALER INFORMATION ONLY

<u>DESCRIPTION</u>	<u>PART NO.</u>	<u>QUANTITY FOR 5 MACHINES</u>
SPRING	26981	1
SPIDER AND BEARING ASSEMBLY	29214	3
"X" WASHER	40305	1
SHEAR BOLT	46520	25
SPIDER AND BEARING ASSEMBLY (1000 RPM MACHINES ONLY)	47621	2
ROLLER BEARING	134018	1
CAM FOLLOWER	249062	1
LOCKING COLLAR	273110	2
"V" BELT	286497	1
FLANGETTE	578189	1
HOSE ASSEMBLY	602016	2
BALL BEARING	605032	1
KNIFE SECTION, TWINE	608145	2
HOSE ASSEMBLY	610038	2
IDLER	635060	2
SUPPORT	638513	4
GUARD, WINDROW	638867	5
HOSE ASSEMBLY	648223	2
HOSE ASSEMBLY	648224	2
RUBBER WASHER	675609	2
PLATE	675611	8
FINGER	683310	20
BALL BEARING ASSEMBLY	689509	1
GUARD, WINDROW, OUTER	697167	2
"V" BELT, BANDED	717399	1
SWITCH ASSEMBLY	719880	1
SPROCKET, RUBBER	762310	1
CIRCUIT BREAKER	768106	1
SIDE CHAINS (SET OF 2) (RC100) (4 PITCH)	781286	1
SEGMENT, CHAIN REPAIR (RC100) (4 PITCH)	781293	5
SEAL KIT	785812	1
TUBE WELD ASSEMBLY, APRON	786457	5
SIDE CHAINS (SET OF 2) (5 PITCH)	786717	1
REPAIR SEGMENT (5 PITCH)	786719	5
PINION GEAR, 20T	787112	1
BEARING ASSEMBLY	788854	1
IDLER	849733	2
AIR BAG ASSEMBLY	857581	1

FAX

To Niels

Franky



NEWHOLLAND

Page 1 of 23

Date 12-6-96

Parts Publications
FAX # 717-355-3031

To: Franky Location: Eernegem Extension: _____
cc: _____ Fax #: 8-011-32-5929-5204
From: Don Anderson Mail Station: 514 Extention: _____

Subject: 850/855 Upper Conveyor Sp

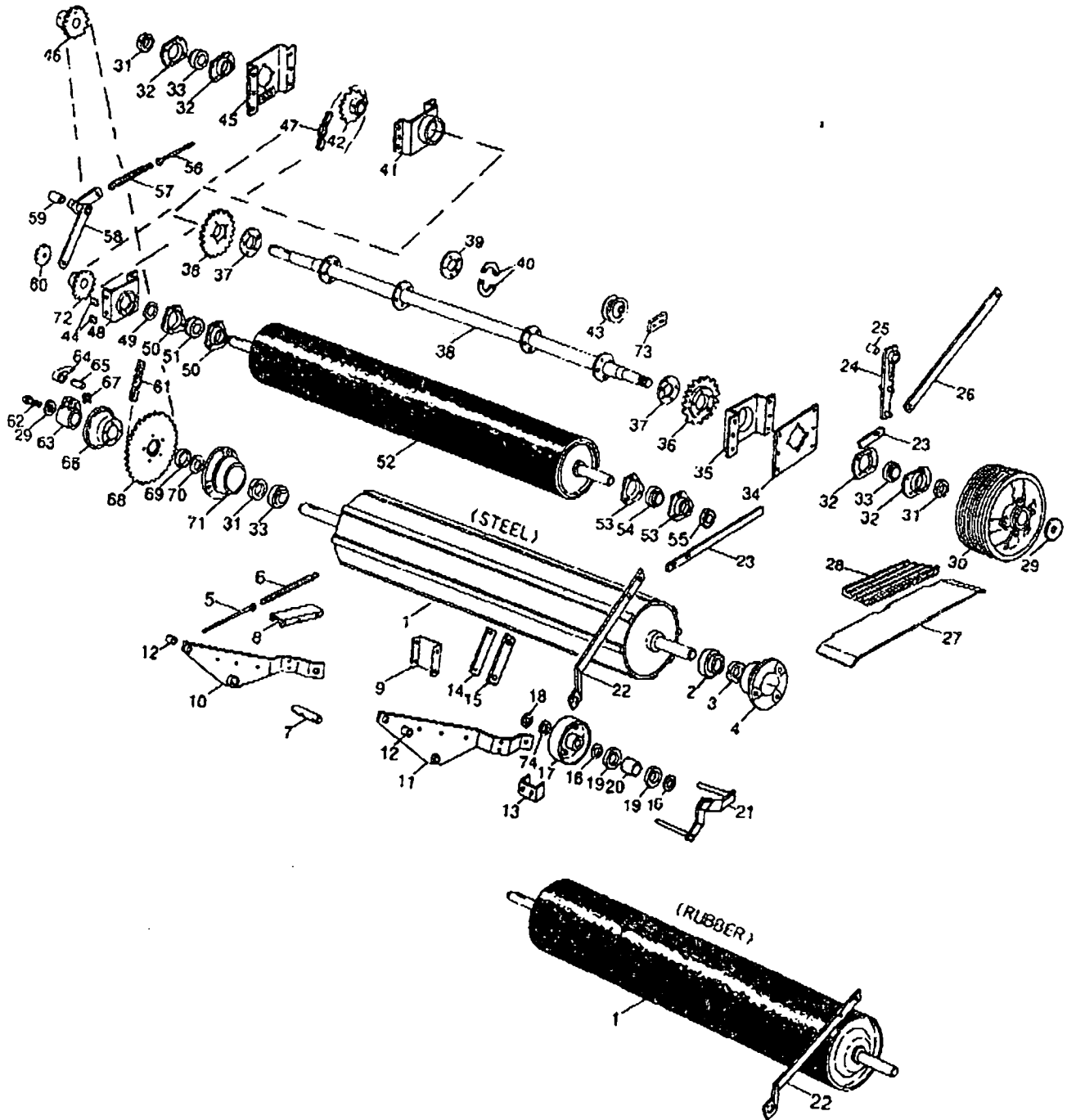
Comments:

--- Received from EERNEGEM.FROTSAE 003259295249 96-12-06 03.10
-> NEWHOLLA.DANDER1 ANDERSON, D. (D.A.) MKTPARTS
Hello,
I am the new colleague of Immanuel Goddyn.
A dealer in Danmark wants for a 855 Round Baler the information
of the upper conveyor group. Can you please fax me those pages as
I don't find it in our catalogue issue 10 - 86. He wants the same
information as he has for a 850. Is that possible?
Thanks in advance and best regards. Franky

The 855 Catalog is not layed out in the same
manner as the 850. I found pages from our 855
catalog pertaining to the conveyor area and related
parts. The most current 855 catalog is
Issue 2-93, Catalog # 5085514. The 850 Conveyor
Sp your customer refer's to pertains to Chain Tube
Drive area.

MODEL 855 ROUND BALER

FIG. 9 - DRIVE GROUP USED ON & BSN 680739



MODEL 855 ROUND BALER

**FIG. 9 - DRIVE GROUP -
USED ON & BSN 680739**

REF	FN	PART NUMBER	FINIS	YR/SN	QTY	DESCRIPTION
1		792278			1	Rubber Floor Roll Assy. (Optional), Replaces 636389
		857570			1	Steel Floor Weld Assy. (1 Shaft Keyed, 1 Splined)
2		47066			1	Bearing
3		47067			1	Collar, Locking
4		9617624			1	Hub, L.H., Replaces 738597 Includes: Ref. 2
		87689			4	Screw, Cap, HH, G5, 1/2" x 1-1/2"
		65319			8	Washer, Hardened
		88871			4	Nut, Lock, GC, 1/2"
5		676400			1	Bolt, Eye
		87364			2	Washer, 1/2" SAE
		280431			2	Nut, 1/2"
6		286527			1	Spring
7		680025			1	Pin
		26129			AR	Washer
		26402			AR	Washer
8		682231			1	Channel
		87872			6	Screw, Cap, HH, G5, 5/16" x 3/4"
		145458			6	Nut, Lock, 5/16" USR
9		695679			1	Channel
		87872			4	Screw, Cap, HH, G5, 5/16" x 3/4"
		145458			4	Nut, Lock, 5/16" USR
10		675843			1	Arm Weld Assy., R.H. Includes: (1) Ref. 12
11		675844			1	Arm Weld Assy., L.H. Includes: (1) Ref. 12
		26402			AR	Washer
		80754			1	Pin, Cotter, 3/16" x 1-1/2"
12		15653			2	Bushing
13		691052			1	Channel
		256873			2	Screw, Lock, 5/16" x 1/2" USR
		145458			2	Nut, Lock, 5/16" USR
14		690911			1	Guide
		88854			2	Screw, Cap, Fl. Hd., Hex Socket, 5/16" x 7/8"
15		690945			AR	Shim
16		679750			1	Washer
17		687277			1	Idler
		300942-S36			1	Screw, Cap, HH, G5, 3/4" x 4-1/2", Replaces 88007
		84972			1	Nut, Jam, 3/4"
		87878			1	Washer, Lock, Ext. T, 3/4"
18		87381			3	Washer, 3/4" SAE
19		9807906			2	Bearing, Replaces 705211
20		687275			1	Spacer
21	(1)	788348			1	Support Weld Assy., Replaces 688553
		280375			1	Nut, Lock, GB, 3/4"

(1) - When Replacing Ref. No. 21 on ASN 696375, You Need to Order P/N 88421 & 84972.

AR - As Required

MODEL 855 ROUND BALER

FIG. 9 - DRIVE GROUP -
 USED ON & BSN 680739

REF	FN	PART NUMBER	FINIS	YR/SN	QTY	DESCRIPTION
22		679360			1	Link Weld Assy.
23		679361			1	Strap
		280430			2	Bolt, Carriage, G5, 3/8" x 3/4"
		145458			2	Washer, Lock, 5/16" USR
		87363			1	Washer, 7/16" SAE
		80756			1	Pin, Cotter, 1/8" x 3/4"
24		853804			1	Arm Weld Assy., Replaces 679358 Includes: Ref. 25
		87365			1	Washer, 5/8" SAE
		80755			1	Pin, Cotter, 1/8" x 1"
25		682151			1	Bushing
26		679359			1	Strap
		87016			AR	Washer, 3/8" SAE
		80756			2	Pin, Cotter, 1/8" x 3/4"
27		695691			1	Guide, Replaces 675612
		271288			4	Screw, Lock, 5/16" x 5/8" USR
		145458			4	Nut, Lock, 5/16" USR
28		717399			1	V-Belt
29		694478			2	Washer, Hardened
		304800-S36			1	Screw, Cap. HH, G5, 1/2" x 1-3/4"
30		675498			1	Sheave
31		273110			3	Collar, Eccentric
32		76450			4	Flange
		87689			4	Screw, Cap. HH, G5, 1/2" x 1-1/2"
		87868			4	Bolt, Carriage, G5, 1/2" x 1-1/4"
		65319			8	Washer, Special
		80679			8	Washer, Lock, 1/2"
		280431			8	Nut, 1/2"
33		689509			3	Bearing Assy. Includes: (2) Ref. 32
34		684635			1	Support, L.H.
35		675724			1	Shield Weld Assy., L.H.
		304726-S36			6	Screw, HH, G5, 1/2" x 1-1/4", Replaces 87670
		65319			9	Washer, Hardened
		280431			3	Nut, 1/2"
36		850940			2	Sprocket, 19T, Upper Conveyor Drv. Replaces 676201 & 847786
		304726-S36			10	Screw, Cap. HH, G5, 1/2" x 1-1/4", Replaces 87670
		80679			10	Washer, Lock, 1/2"
37		693482			AR	Shim
38		675416			1	Shaft Weld Assy.
39		675609			8	Washer, Rubber
40		675611			8	Plate
		88346			8	Screw, Cap. HH, G5, 5/16" x 2-1/2"
		280736			8	Nut, Lock, GC, 5/16"
41		684638			1	Shield Weld Assy., R.H.
		304726-S36			6	Screw, Cap. HH, G5, 1/2" x 1-1/4", Replaces 87670
		65319			8	Washer, Hardened
		280431			6	Nut, 1/2"

AR - As Required

MODEL 855 ROUND BALER

**FIG. 9 - DRIVE GROUP -
 USED ON & BSN 680739**

REF	FN	PART NUMBER	FINIS	YR/SN	QTY	DESCRIPTION
2		675524			1	Sprocket Weld Assy., 21 T, Stripper Roll, Driver
		84361			1	Key, Woodruff, #21, 1/4" x 1-1/4"
		87616			2	Screw, Set, Sq. Hd., 3/8" x 3/4"
		84969			2	Nut, Jam, 3/8"
3		35469			1	Idler
		87339			1	Screw, Cap, HH, G5, 1/2" x 3"
		121512			AR	Washer, Special
		80679			1	Washer, Lock, 1/2"
		280431			1	Nut, 1/2"
4		58011			1	Shim
5		684636			1	Support Weld Assy., R.H.
6		675492			1	Sprocket Weld Assy., 19T, Floor Roll, Driver
		87125			1	Key, Woodruff, #TX, 3/8" x 2-3/4"
		87616			2	Screw, Set, Sq. Hd., 3/8" x 3/4"
		84969			2	Nut, Jam, 3/8"
7		134826			1	Chain, Roller, #60, 48 Total Pitches, Stripper Roll Drive
		25808			AR	Link, Roller
		25812			AR	Link, Collecting
		25817			AR	Link, Offset
		675528			1	Mount, Bearing
		714555			4	Screw, Lock, 3/8" x 1" USR
		247780			2	Nut, Lock, 3/8" USR
9		131377			1	Collar, Locking
		46912			2	Flangette
		87868			4	Bolt, Carriage, G5, 1/2" x 1-1/4"
		87364			4	Washer, 1/2" SAE
		80679			4	Washer, Lock, 1/2"
		280431			4	Nut, 1/2"
		144831			1	Bearing & Collar Assy. Includes: Ref. 49
		636295			1	Roll, Stripper
		578189			2	Flangette
		280430			3	Bolt, Carriage, G5, 3/8" x 3/4"
		145458			3	Nut, Lock, 5/16" USR
		63261			1	Bearing
		54187			1	Collar, Locking
		168764			1	Bolt, Eye
		145458			2	Nut, Lock, 5/16" USR
		43295			1	Spring

2- As Required

MODEL 855 ROUND BALER

**FIG. 9 - DRIVE GROUP -
 USED ON & BSN 680739**

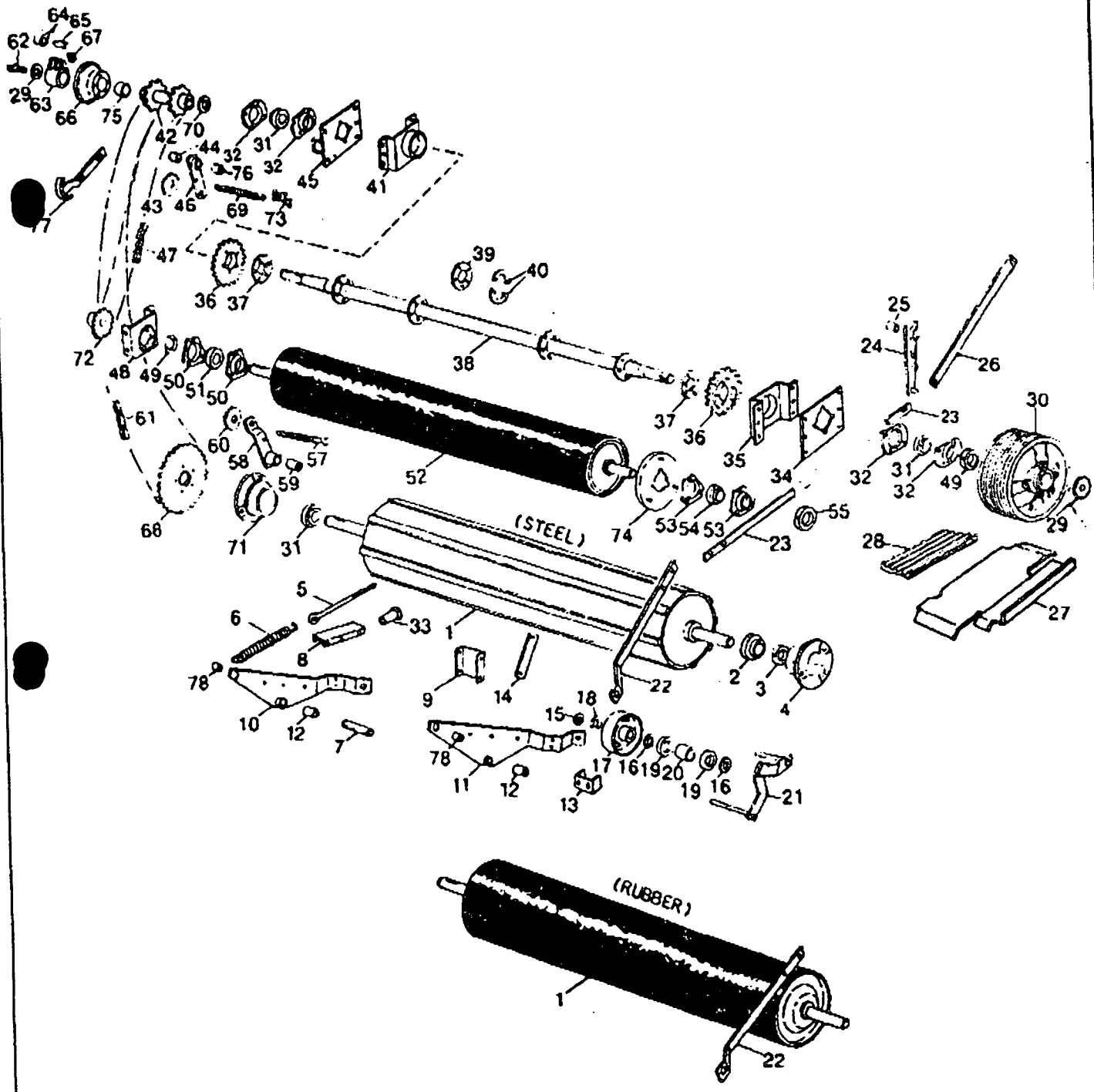
REF	FN	PART NUMBER	FINIS	YR/SN	QTY	DESCRIPTION
58		675525			1	Arm Weld Assy. Includes: Ref. 59
		249100			AR	Washer, Special
		87398			1	Pin, Cotter, 3/16" x 1-1/4"
59		195183			2	Bushing
60		66614			1	Sprocket
		88556			1	Screw, Cap, HH, G5, 5/8" x 2-1/4"
		87365			AR	Washer, 5/8" SAE
		34796-S36			1	Washer, Lock, 5/8", Replaces 84057
		280374			1	Nut, G5, 5/8"
		675529			1	Chain, Roller, #80, 93 Total Pitches, Floor Roll Drive
		140774			AR	Link, Roller
		140776			AR	Link, Connecting
		140775			AR	Link, Offset
62		221481			1	Screw, Drilled Cap
		87414			1	Fitting, Lube, 1/4"-28, Short
63		675042			1	Mount, Dog
64		218527			1	Clutch, Dog
65		46789			1	Pin
		80618			1	Pin, Cotter, 1/8" x 2"
66		675038			1	Clutch, Overrunning
		167050			2	Bushing
67		29840			1	Spring
68		675522			1	Sprocket, 41 Teeth, Floor Roll, Driven
		280373			5	Screw, Cap, HH, G5, 3/8" x 1-1/2" UNF
		80680			5	Washer, Lock, 3/8"
69		675484			1	Spacer
70		641845			AR	Washer
71		9617676			1	Hub, R.H., Replaces 638634
		87689			4	Screw, Cap, HH, 1/2" x 1-1/2"
		65319			8	Washer, Hardened
		88871			4	Nut, Lock, GC, 1/2"
72		675526			1	Sprocket, 21 Teeth, Stripper Roll, Driven
		84361			1	Key, Woodruff, #21, 1/4" x 1-1/4"
		87616			2	Screw, Set, Sq. Hd., 3/8"
		84969			2	Nut, Jam, 3/8"
73		768349			1	Clamp
		280420			1	Bolt, Carriage, G5, 1/2" x 1-1/2"
		80679			1	Washer, Lock, 1/2"
		280341			1	Nut, G5, 1/2"
74		626572			1	Washer

AR - As Required

1-34

MODEL 855 ROUND BALER

FIG. 10 - DRIVE GROUP USED ON & ASN 680740



MODEL 855 ROUND BALER

FIG. 10 - DRIVE GROUP -
USED ON & ASN 680740

REF	FN	PART NUMBER	FINIS	YR/SN	QTY	DESCRIPTION
1		9617461			1	Kit, Rubber Floor Roll (Optional), Replaces 770364 & 788900 Includes: Stripper
2		794350			1	Steel Floor Roll Weld Assy.
3		47066			1	Bearing
4		47067			1	Collar, Locking
		9617624			1	Hub, L.H., Replaces 768597 Includes: Ref. 2
		87689			4	Screw, Cap, HH, G5, 1/2" x 1-1/2"
		65319			8	Washer, Hardened
		88871			4	Nut, Lock, GC, 1/2"
		782919			1	Bolt, Eye
		280431			2	Nut, G5, 1/2"
6		288527			1	Spring
7		680025			1	Pin
		28402			2	Washer
		72071-S36DS			2	Pin, Cotter, 1/8" x 1-1/2", Replaces 80708
8		682231			1	Channel
		87872			6	Screw, Cap, HH, G5, 5/16" x 3/4"
		145458			6	Nut, Lock, 5/16" USR
9		695679			1	Channel
		87872			4	Screw, Cap, HH, G5, 5/16" x 3/4"
		145458			4	Nut, Lock, 5/16" USR
10		675843			1	Arm Weld Assy., R.H. Includes: (1) Ref. 12
11		675844			1	Arm Weld Assy., L.H. Includes: (1) Ref. 12
		26402			AR	Washer
		80754			1	Pin, Cotter, 3/16" x 1-1/2"
12		15653			2	Bushing
		691052		g	1	Channel
		794498		h	1	Channel
		256873			2	Screw, Lock, 5/16" x 1/2" USR
		145458			2	Nut, Lock, 5/16" USR
14		690911			1	Guide
		88854			2	Screw, Cap, Fl. Hd., Hex Socket, 5/16" x 7/8"
15		87381			1	Washer, 3/4" SAE
16		679750			2	Washer
17		687277			1	Idler
		300942-S36			1	Screw, Cap, HH, G5, 3/4" x 4-1/2", Replaces 88007
		84972			1	Nut, Jam, 3/4"
		87878			1	Washer, Lock, Ext. T, 3/4"

(1) - When Replacing P/N 688553 W/ P/N 788348, On & BSN 696375, Order 1/each of P/N 88421 & 84972.

g - Used On & BSN 706837.

h - Used On & ASN 706838.

AR - As Required

MODEL 855 ROUND BALER

3.10 - DRIVE GROUP -
 USED ON & ASN 680740

FN	PART NUMBER	FINIS	YR/SN	QTY	DESCRIPTION	
(1)	626572			1	Washer <i>Spacer</i>	
	9807906			2	Bearing, Replaces 705211	
	687275			1	Spacer	
	788348			1	Support Weld Assy., Replaces 688553	
	280375			1	Nut, Lock, GB, 3/4"	
	879360			1	Link Weld Assy.	
	679361			1	Strap	
	280430			2	Bolt, Carriage, G5, 3/8" x 3/4"	
	247780			2	Nut, Lock, USR, 3/8"	
	87363			1	Washer, 7/16" SAE	
	80756			1	Pin, Cotter, 1/8" x 3/4"	
	853804			1	Arm Weld Assy., Replaces 679358 Includes: Ref. 25	
	87365			1	Washer, 5/8" SAE	
	80755			1	Pin, Cotter, 1/8" x 1"	
682151			1	Bushing, Plastic, Used W/679358		
12432			1	Bushing, Bronze, Used W/853804		
	679359			1	Strap	
	87016			AR	Washer, 3/8" SAE	
	80756			2	Pin, Cotter, 1/8" x 3/4"	
	695691			1	Guide, Replaces 675612	
	271288			4	Screw, Lock, 5/16" x 5/8" USR	
	145458			4	Nut, Lock, 5/16" USR	
	717399			1	V-Belt	
	694478			2	Washer, Hardened	
	87689			1	Screw, Cap, HH, G5, 1/2" x 1-1/2"	
	675498			1	Sheave	
770370			3	Bearing, W/Collar (<i>Collar #273110 included with Bearing #770370</i>)		
	76450			4	Flange	
	87689			4	Screw, Cap, HH, G5, 1/2" x 1-1/2"	
	87868			4	Bolt, Carriage, G5, 1/2" x 1-1/4"	
	65319			8	Washer, Special	
	80679			12	Washer, Lock, 1/2"	
	280431			8	Nut, 1/2"	
	(1)	785760			1	Spacer Weld Assy.
		684635		e	1	Support, L.H.
		770485		i	1	Support, L.H.
		9601092		h	1	Support, L.H., Replaces 798865
675724			e	1	Shield Weld Assy., L.H.	
9601094			f	1	Shield Weld Assy., L.H., Replaces 786019	
304726-S36				6	Screw, Cap, HH, G5, 1/2" x 1-1/4", Replaces 87670	
65319				9	Washer, Hardened	
280431				3	Nut, 1/2"	

1) - Used On & ASN 687803.

- Used On & BSN 696374.
- Used On & ASN 696375.
- Used On & ASN 706838.
- Used On & Between S/N #696375 & 706837.

R - As Required

MODEL 855 ROUND BALER

FIG. 10 - DRIVE GROUP -
 USED ON & ASN 680740

REF	FN	PART NUMBER	FINIS	YR/SN	QTY	DESCRIPTION
36		850940			2	Sprocket, 19T, Upper Conveyor Drive, Replaces 676201 & 847786
		304726-S36			10	Screw, Cap, HH, G5, 1/2" x 1-1/4", Replaces 87670
		80679			10	Washer, Lock, 1/2"
37		693482			AR	Shim
38		855346			1	Shaft Weld Assy., Replaces 770360 and 794214
39		675609			8	Washer, Rubber
40		675611			8	Plate
		88346			8	Screw, Cap, HH, G5, 5/16" x 2-1/2"
		280736			8	Nut, Lock, GC, 5/16"
		684638		e	1	Shield Weld Assy., R.H.
		304726-S36			6	Screw, Cap, HH, G5, 1/2" x 1-1/4", Replaces 87670
		65319			7	Washer, Hardened
		280431			6	Nut, 1/2"
42		764816			1	Sprocket Weld Assy., 21T, Roll, Stripper, Driver 19T, Roll Driver Includes: Ref. 75
43		511265		g	1	Idler
		88556			1	Screw, Cap, HH, G5, 5/8" x 2-1/4"
		27697			AR	Washer, Special
		280375			1	Nut, Lock, 5/8"
44		786551		g	1	Spacer, Replaces 284881
45		764636		e	1	Support Weld Assy., R.H.
		770494		i	1	Support Weld Assy., R.H.
		9601092		k	1	Support Weld Assy., R.H.
		9622135		i	1	Support Weld Assy., R.H.
		304726-S36			5	Screw, Cap, HH, G5, 1/2" x 1-1/4", Replaces 87670
		65319			7	Washer
		280431			2	Nut, 1/2"
46		767386		g	1	Idler Arm Weld Assy.
		87972			1	Screw, Cap, HH, G5, 1/2" x 2-1/2"
		65319			AR	Washer, Hardened
		280431			1	Nut, G5, 1/2"
47		66494		g	1	Chain, Roller, #60, 50 Total Pitches, Drive, Stripper Roll
		135219		h	1	Chain, Roller, #60, 46 Total Pitches, Drive, Stripper Roll
		25808			AR	Link, Roller
		25812			AR	Link, Collecting
		25817			AR	Link, Offset

- e - Used On & BSN 696374.
- g - Used On & BSN 706837.
- h - Used On & ASN 706838.
- i - Used On & Between Serial #696375 & 706837.
- j - Used On & ASN 806179.
- k - Used On & Between Serial #706838 & 806178.

AR - As Required

MODEL 855 ROUND BALER

FIG. 10 - DRIVE GROUP -
 USED ON & ASN 680740

REF	FN	PART NUMBER	FINIS	YR/SN	QTY	DESCRIPTION
48		770497			1	Bearing Mount Weld Assy., R.H.
		88206			4	Screw, Cap, HH, G5, 3/8" x 1"
		9827956			6	Washer, Replaces 602590
		84944			2	Nut, 3/8"
49		45631			1	Collar, Locking
50		46912			2	Flangette
		87868			4	Bolt, Carriage, G5, 1/2" x 1-1/4"
		80700			4	Washer, 1/2"
		80679			4	Washer, Lock, 1/2"
		280431			4	Nut, 1/2"
51		133941			1	Bearing
52	(1)	770362			1	Roll, Stripper
53		578189			2	Flangette
		280430			3	Bolt, Carriage, G5, 3/8" x 3/4"
		247780			2	Nut, Lock, USR, 3/8"
54		63261			1	Bearing
55		54187			1	Collar, Locking
57		510330			1	Spring
58		764632			1	Arm Weld Assy. Includes: Ref. 59
		249100			AR	Washer, Special
		87398			1	Pin, Cotter, 3/16" x 1-1/4"
59		195183			2	Bushing
60		66614			1	Sprocket
		88556			1	Screw, Cap, HH, G5, 5/8" x 2-1/4"
		87365			1	Washer, 5/8" SAE
		34796-S36			1	Washer, Lock, 5/8", Replaces 84057
		280374			1	Nut, G5, 5/8"
61		675529			1	Chain, Roller, #80, 93 Total Pitches, Drive, Floor Roll
		140774			AR	Link, Roller
		140776			AR	Link, Connecting
		140775			AR	Link, Offset
62		794219			1	Screw, Drilled, Cap
		87414			1	Fitting, Lube, 1/4"-28, Short
63		642296			1	Mount, Dog
64		218527			1	Clutch, Dog
65		46789			1	Pin
		80618			1	Pin, Cotter, 1/8" x 2"
66		640934			1	Clutch, Overrunning
		88428			5	Screw, Cap, HH, G5, 3/8" x 1-3/4"
		80680			5	Washer, Lock, 3/8"
67		29840			1	Spring
68		797773			1	Sprocket, 41T, Floor Roll, Driven, Replaces 641852
		87125			1	Key, Woodruff, 1-3/8" x 2-3/4"
		87616			2	Screw, Set, Sq. Hd., 3/8" x 3/4"
		84969			2	Nut, Jam, 3/8"

Elon Print Chain Roller

AR - As Required

(1) For Wet Wrap Drive Pulley Refer to pg 1-105 Ref # 30.

MODEL 855 ROUND BALER

FIG. 10 - DRIVE GROUP -
 USED ON & ASN 680740

No Spring Used (ASN) Refer to Ref # 77

REF	FN	PART NUMBER	FINIS	YR/SN	QTY	DESCRIPTION
69		175046		g	1	Spring, Replaces 219641
70		641845			AR	Washer
71		9617676			1	Hub, R.H., Replaces 638634 Includes: Ref. 31
		87689			4	Screw, Cap, HH, 1/2" x 1-1/2"
		65319			8	Washer, Hardened
		88871			4	Nut, Lock, GC, 1/2"
72		767789			1	Sprocket, 21 Teeth, Stripper Roll, Driven
		84361			1	Key, Woodruff, #21, 1/4" x 1-1/4"
		84983			2	Screw, Set, Sq. Hd., 3/8"
		84969			2	Nut, Jam. 3/8"
73		281751		g	1	Angle
		84943			1	Nut, 5/16"
74		770499		f	1	Bearing Support Weld Assy., L.H.
		9827956			3	Washer, Replaces 602590
		84944			3	Nut, 3/8"
75		167050			2	Bushing
76		40293			1	Bushing
77	+	791309 (Stripper Roll Drive)		h	1	Chain Idler Weld Assy. (Stationary)
		304800-S36			1	Screw, Cap, HH, G5, 1/2" x 1-3/4", Replaces 88551
		280502			1	Bolt, Carriage, G5, 1/2" x 1-1/2"
		64263			2	Washer, Special
		65319			3	Washer, Hardened
		280431			2	Nut, G5, 1/2"
78		76165			2	Hub

- f- Used On & ASN 696375.
- g- Used On & BSN 706837.
- h- Used On & ASN 706838.

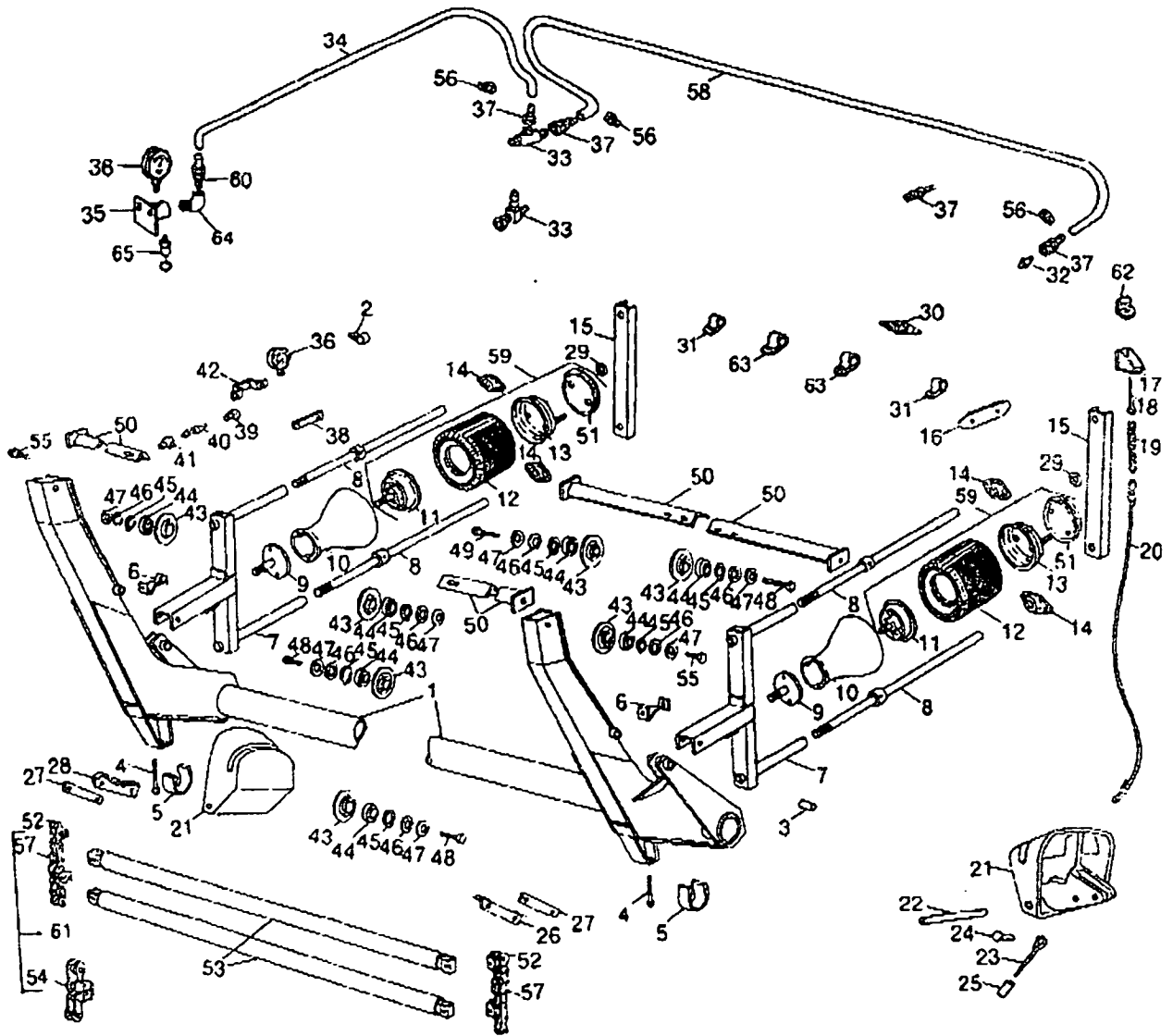
As Required

(+) This Chain Idler replace Spring, Ref # 69 plus various other BSN parts listed as Ref # G.

1-74

MODEL 855 ROUND BALER

FIG. 17 - UPPER APRON GROUP



MODEL 855 ROUND BALER

7- UPPER APRON GROUP

FN	PART NUMBER	FINIS	YR/SN	QTY	DESCRIPTION
	854152			1	Take-Up Arm Weld Assy.. Replaces 639979 Includes: Ref. 2
	87408			1	Fitting, Lube, 1/4"-28, Short
	304944-S36			2	Screw, Cap, HH, G5, 5/8" x 3-1/2", Replaces 280119
	781316			4	Washer, Special
	84910			2	Nut, Lock, GC, 5/8"
	134578			AR	Clamp
	699985			2	Spacer
	280496			2	Bolt, Hex, Full Threads, G5, 5/8" x 4-1/2"
	280374			2	Nut, 5/8", Replaces 84947
	639653			2	Bearing
	639652			2	Cap
	88011			4	Screw, Cap, HH, G5, 3/8" x 1-1/4"
	9827956			6	Washer, Replaces 602590
	80680			4	Washer, Lock, 3/8"
	84944			2	Nut, 3/8"
	678052			2	Mount Weld Assy.
	685135			4	Rod Weld Assy.
	87341			4	Washer, Lock, 7/8"
	280126			4	Nut, 7/8"
	688579			2	Retainer Weld Assy.
	850097			2	Retainer Weld Assy.
	87340			2	Washer, Lock, 3/4"
	280954			2	Nut, G5, 3/4"
10	(1) 695770			2	Piston, Replaces 687560
	304726-S36			4	Screw, Cap, HH, G5, 1/2" x 1-1/4", Replaces 87670
	80679			4	Washer, Lock, 1/2"
	688757			2	Retainer, Lower
	280375			2	Nut, Lock, GB, 3/4"
11				2	Bag, Air (Refer to Ref #59)
12	(2) NSS			2	Retainer, Upper
13	688756			2	Washer, Special
	65319			2	Nut, 1/2"
	280431			2	Nut, 3/4" UNF
	87312			4	Bearing
14	682452			8	Bolt, Carriage, G5, 5/16" x 3/4"
	280327			8	Nut, Lock, 5/16" USR
	145458			2	Channel
15	685136			4	Screw, Lock, 3/8" x 3/4" USR
	255918				

j
k

- (1) - Do Not Mix Old Style W/New Style Pistons. Old Style Piston P/N 687560 is No Longer Available and is Now Replaced W/the New Style Part Number 695770. When One Old Style Piston Needs Replacing, Two New Style Pistons Need to be Ordered.
- (2) - *No Air bag repair kit available. New bag must be purchased. per Harold McCampbell 1/9/93*
- j - Used On & BSN 733139.
- k - Used On & ASN 733140.

AR - As Required
 NSS - Not Serviced Separately

MODEL 855 ROUND BALER

FIG. 17 - UPPER APRON GROUP

REF	FN	PART NUMBER	FINIS	YR/SN	QTY	DESCRIPTION
16		641190			2	Guide
		88011			4	Screw, Cap, HH, G5, 3/8" x 1-1/4"
		80702			4	Washer, 3/8"
		88902			4	Nut, Lock, GC, 3/8"
17		691782		i	2	Channel Weld Assy.
18		25667		j	2	Bolt, Eye
		9827958			2	Washer, Replaces 602590
		84944			4	Nut, 3/8"
19		0012			2	Spring
		692902			2	Cable
20		792025		k	2	Cable
		88206			2	Screw, Cap, HH, G5, 3/8" x 1"
		88548			2	Screw, Cap, HH, G5, 3/8" x 2-1/4"
		80702			4	Washer, 3/8"
		88902			AR	Nut, Lock, GC, 3/8"
21		691652			2	Cam, Core
		634233			2	Rod, Hinge
22		87365			AR	Washer, 5/8" SAE
		87398			4	Pin, Cotter, 3/16" x 1-1/4"
		692901			2	Bolt, Eye
23		143479			2	Washer, Special
		280431			8	Nut, 1/2"
24		28383			2	Pin, Clevis
		87364			2	Washer, 1/2" SAE
		80755			2	Pin, Cotter, 1/8" x 1"
25		692903			2	Spacer
		691733			1	Guide Weld Assy., L.H.
26		798849		g	1	Guide Weld Assy., L.H.
		88206		h	2	Screw, Cap, HH, G5, 3/8" x 1"
		87909		h	2	Screw, Cap, HH, G5, 1/2" x 1"
		80702		h	2	Washer, 3/8"
		65319		h	2	Washer
		80680		g	2	Washer, Lock, 3/8"

- g - Used On & BSN 706837.
- h - Used On & ASN 706838.
- i - Used On & BSN 733139.
- k - Used On & ASN 733140.

AR - As Required

MODEL 855 ROUND BALER

FIG. 17 - UPPER APRON GROUP

REF	FN	PART NUMBER	FINIS	YR/SN	QTY	DESCRIPTION
27		691736		g	AR	Spacer
		798381		h	AR	Spacer
28		691732		g	1	Guide Weld Assy., R.H.
		798848		h	1	Guide Weld Assy., R.H.
		88208		g	2	Screw, Cap, HH, G5, 3/8" x 1"
		87909		h	2	Screw, Cap, HH, G5, 1/2" x 1"
		80702		g	2	Washer, 3/8"
		65319		h	2	Washer
		80680		g	2	Washer, Lock, 3/8"
29		56867			2	Washer
30		764753			AR	Fitting, Connector <i>(old style)</i>
31		134579		g	7	Clamp
		675162		h	7	Clamp
		690341		g/h	6/8	Screw, Lock, Thread Forming, 5/16" x 5/8" USR
32	(3)	76826		o/p	2/1	Connector, Male
	+	787760		h	1	Connector, Male <i>(new ASN style)</i>
33	(2)	767844		g	1	Tee, Replaces 764757
		787762		h	1	Tee
34		792417		g	1	Hose Assy., Replaces 764750 and 764752
		787763		h	1	Hose Assy.
35	(4)	9601465			1	Tee, Bulkhead, Replaces 764754 & 792418
		87872			2	Screw, Cap, HH, G5, 5/16" x 3/4"
		145458			2	Nut, Lock, 5/16" USR
36		678790			1	Gauge, Pressure
37	(3)	764755		o/p	2/1	Pipe Fitting <i>(old style)</i>
38		764308			1	Pad
39		512536			1	Fitting
40		763467			1	Core
41		NS			1	Cap, Valve
42		764307			1	Clamp
		713155			2	Screw, Lock, 5/16" x 1" USR
		145458			2	Nut, Lock, 5/16" USR
43		635060			8	Idler
44		701298			8	Bearing
45		268118			16	Ring, Retaining
46		679750			AR	Washer, Hardened
47		679574			AR	Washer, Hardened

- (2) - When Replacing #764757 W/#767844 Order (2) #764755.
- (3) - Used On & BSN 706837.
- (4) - 9601465 Bulkhead Tee & 9601368 Relief Valve Replace 792418 Bulkhead Tee.

- g - Used On & BSN 706837.
- h - Used On & ASN 706838.
- o - Used On & BSN 706444.
- p - Used On & Between SN 706445 & 706837

AR - As Required
 NS - Not Serviced

★ Screws in back of the air spring. The brass fitting is self enclosed. *(solid piece)*.

MODEL 855 ROUND BALER

FIG. 17 - UPPER APRON GROUP

REF	FN	PART NUMBER	FINIS	YR/SN	QTY	DESCRIPTION
48		280223			4	Screw, Cap, HH, G5, 3/4" x 6-1/2"
		87340			6	Washer, Lock, 3/4"
		280954			4	Nut, G5, 3/4"
49		88945			2	Screw, Cap, HH, G5, 3/4" x 8"
		87340			2	Washer, Lock, 3/4"
		280954			2	Nut, G5, 3/4"
		84972			2	Nut, Jam, 3/4"
50		697840			4	Angle Weld Assy.
		280430			8	Bolt, Carriage, G5, 3/8" x 1"
		247780			8	Nut, Lock, 3/8" USR
51		787075	e		2	Plate, Clamping
52		781286			1	Chain Assy. (Matched Set of Side Chains) (Four Pitched Spacing), Replaces 698435
		786717	f		1	Chain Assy. (Matched Set of Side Chains) (Five Pitched Spacing)
53		786457		e/f	85/68	Tube Weld Assy., Replaces 638471
		280879		e	170	Bolt, Carriage, G5, 3/8" x 2"
				f	136	Bolt, Carriage, G5, 3/8" x 2"
		88902		e	170	Nut, Lock, GC, 3/8"
				f	136	Nut, Lock, GC, 3/8"
54	(i)	781293		e	AR	Repair Segment, RC100 Roller Chains (Four Pitch Spacing), Replaces 675967 Includes: (2) Roller Links & (1) Attachment Link
		786719		f	AR	Repair Segment, RC100 Roller Chains (Five Pitch Spacing) Includes: (2) Roller Links, (1) Attachment Link & One Offset Link
56		280316			2	Screw, Cap, HH, G5, 3/4" x 7"
56		574518			4	Clamp, Hose
57	(i)	769906			AR	Link, Connector, RC100
58		792416		g	1	Hose Assy., Replaces 764750 & 764752
		787763		h	AR	Tubing, Nylon, 1/4" OD x 10' Long, Cut to Length Required

- e - Used On & BSN 696374.
- f - Used On & ASN 696375.
- g - Used On & BSN 706837.
- h - Used On & ASN 706838.

AR - As Required

(i) Separate pins are not offered as a service part. Ref #'s 54 & 57 are the only repair options offered. per John Richardson 10/7/83

MODEL 855 ROUND BALER

FIG. 17 - UPPER APRON GROUP

REF	FN	PART NUMBER	FINIS	YR/SN	QTY	DESCRIPTION
59		857581			2	Air Bag Assy.. Replaces 688758 & 797783 Includes: (1) each Ref. 11,12,13 & 51
60		792420		g	1	Fitting, Pipe
		787760		f	1	Fitting, Pipe
61	+	786718		e	AR	Kit, Apron Repair (Five Pitch Spacing) Includes: (2) Ref. 57 & (1) Ref. 54f
	+	783730			AR	Kit, Apron Repair (Four Pitch Spacing) Includes: (2) Ref. 57 & (1) Ref. 54e
62		796132		g	2	Angle
63		187509		h	2	Clamp
64		58771			1	Elbow, Street
65	(6)	9601368			1	Valve, Relief

(6) - 9601368 Relief Valve & 9601465 Bulkhead Tee Replaces 792418 Bulkhead Tee.

- e - Used On & BSN 696374.
- f - Used On & ASN 696375.
- g - Used On & BSN 706837.
- h - Used On & ASN 706838.

AR - As Required

+ To Change from either a 5 pitch Apron to a 4 Pitch or vice versa you need:

Ref # 61 pg 1-83

Ref # 15 pg 1-85

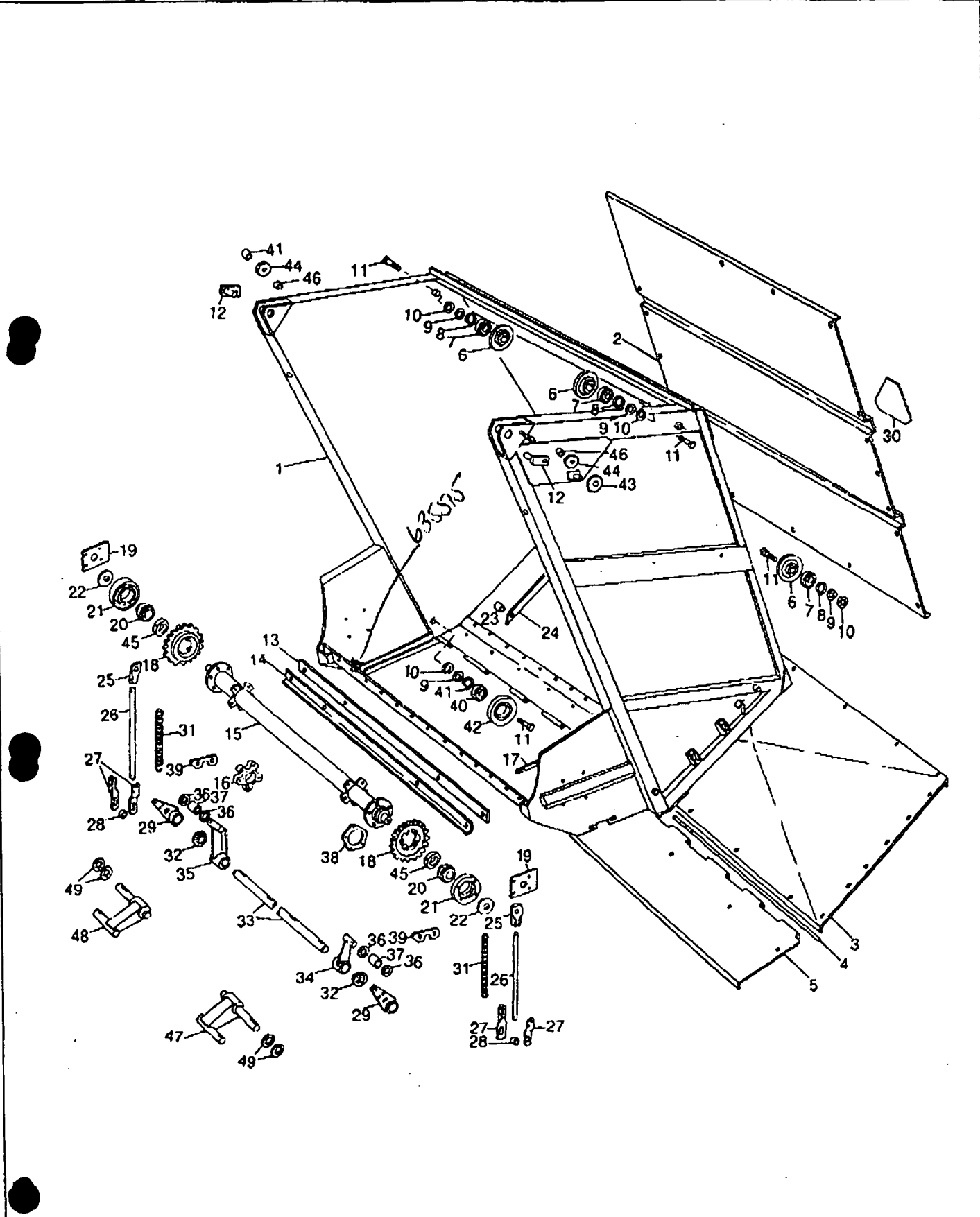
Ref # 16 pg 1-85

Per J. Richardson 1-15-96

1-84

MODEL 855 ROUND BALER

FIG. 18 - TAILGATE GROUP



MODEL 855 ROUND BALER

FIG. 18 - TAILGATE GROUP

REF	FN	PART NUMBER	FINIS	YR/SN	QTY	DESCRIPTION
1		795557			1	Tailgate Weld Assy., Replaces 637959 & 771098
2		792014			1	Shield, Replaces 649261
3		570821			30	Screw, Self-Tapping, HWH, 5/16" x 5/8"
		637872			1	Shield
		570821			28	Screw, Self-Tapping, HWH, 5/16" x 5/8"
4		637871			2	Screw, Thread-Forming
		636816			1	Rod
5		255918			1	Door
		80702			6	Screw, Lock, 3/8" x 3/4" USR
		285072			4	Washer, 3/8"
					2	Washer, Hardened
6		635060			4	Idler
7		701298			4	Bearing
8		268118			8	Ring, Retaining
9		679574			AR	Washer, Hardened, .135" (3.4mm) Thick
10		679750			AR	Washer, Hardened, .060" (1.55mm) Thick
11		280120			6	Screw, Cap, HH, G5, 3/4" x 6"
		87340			6	Washer, Lock, 3/4"
		280954			6	Nut, G5, 3/4"
12		637919			2	Pin Weld Assy.
		87367			AR	Washer, 1" SAE
		80754			2	Pin, Cotter, 3/16" x 1-1/2"
13	(1)	647319			AR	Shim
14	(1)	647320			1	Stripper
		88976			8	Screw, Cap, HH, G5, 5/16" x 3/4"
15	+	768614		e	1	Tube Weld Assy., Replaces 675410
		769888		f	1	Tube Weld Assy.
16	+	638513		e	4	Sprocket, Rubber
		762310		f	4	Sprocket, Rubber
		88346		e	10	Screw, Cap, HH, G5, 5/16" x 2-1/2"
		87936		f	8	Screw, Cap, HH, G5, 3/8" x 2-1/2"
		280736		e	10	Nut, Lock, GC, 5/16"
		88902		f	8	Nut, Lock, GC, 3/8"

(1) - Stripper #647320 & Shim #647319 are included in the Floor Roll Stripper Kit P/N 9621989.

e - Used On & BSN 696374.

f - Used On & ASN 696375.

j - Used On & BSN 733139.

AR - As Required

+ To change from a 5 pitch open to a 4 pitch open you need
 Ref# 15 + 16 plus Ref# 61 pg 1-83. (No kit available)
 per J. Rehak 1-15-96

MODEL 855 ROUND BALER

FIG. 18 - TAILGATE GROUP

REF	FN	PART NUMBER	FINIS	YR/SN	QTY	DESCRIPTION
17		682456			2	Guide Weld Assy.
		255918			6	Screw, Lock, USR, 3/8" x 3/4"
18		850938		e	2	Sprocket, 20 Teeth, Replaces 676199
		850939		f	2	Sprocket, 20 Teeth, Replaces 847787
		87847		e	10	Screw, Cap, HH, G5, 1/2" UNF x 1-1/4"
		304726-S36		f	8	Screw, Cap, HH, G5, 1/2" x 1-1/4", Replaces 87670
		80679		e	10	Washer, Lock, 1/2"
		80679		f	8	Washer, Lock, 1/2"
19		698069			AR	Washer
20		52443			2	Bearing
21		9615414			2	Bearing Assy., Replaces 677025 Includes: Ref. 20
22		714555			8	Screw, Self-Locking, HWH, 3/8" x 1"
		698195			2	Washer
		88206		i	2	Screw, Cap, HH, G5, 3/8" x 1"
		707851		k	2	Screw, Cap, HH, Special
23		135488			4	Spacer
24		613588			2	Guide
		88043			4	Screw, Cap, HH, G5, 1/2" x 3-1/4"
		87364			AR	Washer, 1/2" SAE
		80679			4	Washer, Lock, 1/2"
		280431			4	Nut, G5, 1/2"
25		613701			2	Clip
		88275			2	Screw, Cap, HH, G5, 5/16" x 1-1/2"
		280736			2	Nut, Lock, GC, 5/16"
26	(2)	9610520			2	Tube, Replaces 637707
27		676538			4	Bracket
		88275			2	Screw, Cap, HH, G5, 5/16" x 1-1/2"
		280736			2	Nut, Lock, GC, 5/16"

2) - 637707 Tube is now Replaced by 9610522 Hub Weld Assembly & 9610520 Tube.

- e - Used On & BSN 696374.
- f - Used On & ASN 696375.
- j - Used On & BSN 733139.
- k - Used On & ASN 733140.

AR - As Required

MODEL 855 ROUND BALER

FIG. 18 - TAILGATE GROUP

REF	FN	PART NUMBER	FINIS	YR/SN	QTY	DESCRIPTION
28		516579			4	Spacer
		88428			2	Screw, Cap. HH, G5, 3/8" x 1-3/4"
		80702			4	Washer, 3/8"
		80680			2	Washer, Lock, 3/8"
		84944			2	Nut, 3/8"
29	(3)	9610522			2	Hub Weld Assy.. Replaces 684787
		80810			2	Key, Woodruff, 3/16" x 3/4"
		88019			2	Screw, Set, Sq. Hd., 5/16" x 3/4"
		84968			2	Nut, Jam, 5/16"
		189396			1	Emblem, Slow Moving Vehicle
31		27952			2	Spring
		88011			2	Screw, Cap. HH, G5, 3/8" x 1-1/4"
		84944			2	Nut, 3/8"
32		612964		n/l	2	Bearing
		612964		m	4	Bearing
33		647991		n/l	1	Shaft
34		680676		n/l	1	Channel Weld Assy., L.H.
		80810			1	Key, Woodruff, 3/16" x 3/4"
		280662			2	Screw, Set, Sq. Hd., 5/16" x 7/8"
		84968			2	Nut, Jam, 5/16"
35		680677		n/l	1	Channel Weld Assy., R.H.
		80810			1	Key, Woodruff, 3/16" x 3/4"
		280662			2	Screw, Set, Sq. Hd., 5/16" x 7/8"
		84968			2	Nut, Jam, 5/16"
36		679750			4	Washer
	37	691370			2	Spacer
87395				2	Pin, Cotter, 1/8" x 1-1/4"	
693481			e	AR	Shim	
762356			f	AR	Shim	

(3) - 684787 Hub Weld Assembly is now Replaced by 9610522 Hub Weld Assembly & 9610520 Tube.

- e - Used On & Between 696374.
- f - Used On & ASN 696375.
- l - Used On & BSN 706036.
- m - Used On & Between S/N 706037 & 786225.
- n - Used On & ASN 786226.

AR - As Required

MODEL 855 ROUND BALER

FIG. 18 - TAILGATE GROUP

REF	FN	PART NUMBER	FINIS	YR/SN	QTY	DESCRIPTION
39		855363			2	Plate, Replaces 637390
		87868			4	Bolt, Carriage, G5, 1/2" x 1-1/4"
		143479			4	Washer
		88871			4	Nut, Lock, 1/2"
40		573944		j	2	Bearing, Ball
		701298		k	2	Bearing, Ball
41		33915		j	4	Ring, Retaining
		268118		k	4	Ring, Retaining
42	(4)	849733			2	Idler
43		26312			2	Washer
44		58638			2	Roller
		304834S36			2	Screw, Cap, HH, G5, 1/2" x 2", Replaces 88552
		65319			2	Washer, Hardened
		26301			2	Washer, Special
45		768572			2	Washer, Special
46		161351			2	Spacer
47		798890		m	1	Latch Weld Assembly, L.H.
48		798891		m	1	Latch Weld Assembly, R.H.
49		26129		m	4	Washer
	(1)	797676			AR	Idler Mount Repair Kit

- (1) - Used Between S/N 680740 & 696905.
- (4) - When Replacing the Idler, the Following Parts must be Ordered: (2) 849733, (2) 701298 & (4) 268118.
- j - Used On & BSN 733139.
- k - Used On & ASN 733140.
- m - Used On & Between S/N 706037 & 786225.
- AR - As Required

MODEL 855 ROUND BALER

NUMERICAL INDEX

PART NUMBER	FIG.	SEC	PAGE	PART NUMBER	FIG.	SEC	PAGE
E3NN3K771AA	5	1	151	132710	* 16	1	63
100381	5	1	163		24	1	21
102046	15	1	167	133941	51	1	41
	15	1	177	134018	4	1	61
105968	33	1	135			1	212
110400	24	1	67	134019	5	1	61
	13	1	69	134020	3	1	61
11104	20	1	201	134021	2	1	61
11117	15	1	189	134577	6	1	203
11528	18	1	137	134578	2	1	75
11555	39	1	101	134579	31	1	79
	1	1	69		19	1	165
11594	10	1	119	134826	47	1	31
116150	9	1	25	134921	34	1	53
116311	14	1	23	135219	47	1	39
11787	69	1	143	13548	19	1	21
118821	19	1	49	135488	23	1	87
	23	1	51	136137	33	1	53
118950	37	1	135	136224	10	1	167
12	19	1	77		15	1	163
121091	9	1	49		10	1	177
121092	14	1	49	136376	10	1	195
121512	43	1	31		14	1	63
	19	1	19	136377	13	1	63
	23	1	19	136378	22	1	63
121602	5	1	49	136521	15	1	93
122268	5	1	21		28	1	51
122274	6	1	21	136560	10	1	49
122275	6	1	21	137239	34	1	19
122276	6	1	21	137240	26	1	19
122277	6	1	21	137575	34	1	107
122443	27	1	19	138539	15	1	199
124150	35	1	135	138820	13	1	17
12432	25	1	37	139870	15	1	137
	35	1	139	139881	17	1	137
126103	23	1	105	139882	16	1	137
126760	35	1	19	139957	15	1	45
127434	11	1	49	140774	61	1	41
127561	6	1	61		61	1	33
128109	11	1	71	140775	61	1	33
128303	10	1	137		61	1	41
128375	3	1	9	140776	61	1	41
128542	4	1	17		61	1	33
129101	7	1	199	141328	26	1	159
129365	8	1	93		8	1	173
	38	1	135	141979	2	1	199
130357	12	1	67		8	1	65
	45	1	55		4	1	69
130891	36	1	53		10	1	69
131377	49	1	31		37	1	107
131491	28	1	19	143479	23	1	77
131522	41	1	53		39	1	91
132709	16	1	21	144403	39	1	135
	15	1	63	144607	46	1	55
	11	1	195	144831	51	1	31
132710	12	1	195	145458	1	1	95

MODEL 855 ROUND BALER

NUMERICAL INDEX

PART NUMBER	FIG.	SEC	PAGE	PART NUMBER	FIG.	SEC	PAGE
145458	*	3	1 95	145458	*	8	1 35
		4	1 95			9	1 35
		6	1 95			13	1 35
		9	1 95			27	1 37
		10	1 95			11	1 45
		13	1 97			22	1 47
		14	1 97			19	1 49
		20	1 97			4	1 65
		21	1 97			5	1 173
		22	1 97			12	1 173
		23	1 97			16	1 175
		25	1 97			1	1 183
		26	1 97			5	1 183
		27	1 99			18	1 185
		28	1 99			2	1 203
		29	1 99			3	1 203
		33	1 99			5	1 203
		36	1 99			7	1 203
		40	1 101			8	1 203
		43	1 101	145679		38	1 171
		2	1 103	145913		1	1 95
		19	1 105			18	1 71
		25	1 105			11	1 17
		39	1 107			7	1 203
		42	1 107			5	1 203
		44	1 107			7	1 173
		48	1 107	146258		17	1 19
		50	1 109			5	1 45
		51	1 109	146718		28	1 147
		15	1 113			35	1 161
		16	1 113			33	1 169
		20	1 113			36	1 179
		1	1 115	147095		23	1 113
		4	1 115	15		27	1 175
		6	1 115	15081		10	1 123
		8	1 115	15653		57	1 141
		6	1 119			12	1 27
		20	1 121			12	1 35
		11	1 131	16		10	1 193
		44	1 135	161351		40	1 139
		66	1 143			46	1 91
		70	1 143	163962		5	1 17
		6	1 151	164999		6	1 49
		10	1 151	166404		9	1 93
		18	1 71	166704		15	1 49
		14	1 75	167050		66	1 33
		35	1 79			75	1 43
		42	1 79	167169		20	1 147
		11	1 17			17	1 159
		8	1 27			45	1 171
		9	1 27			11	1 183
		13	1 27	167353		7	1 189
		23	1 29	167509		63	1 83
		27	1 29	168764		56	1 31
		53	1 31	175046		69	1 43
		56	1 31			40	1 135

MODEL 855 ROUND BALER

NUMERICAL INDEX

PART NUMBER	FIG.	SEC	PAGE	PART NUMBER	FIG.	SEC	PAGE
175444	1	1	193	237980	*	27	1 169
175507	8	1	25		35	1	169
175508	7	1	25		6	1	203
18	24	1	165	244112	8	1	111
	20	1	137	247780	11	1	151
182294	64	1	141		13	1	153
184064	23	1	189		50	1	81
184899	18	1	97		19	1	97
186939	3	1	119		8	1	183
188181	12	1	163		8	1	203
	5	1	167		78	1	59
	5	1	177		8	1	65
189396	30	1	89		10	1	69
189564	15	1	21		29	1	47
195183	59	1	33		4	1	49
	59	1	41		24	1	51
195903	18	1	105		13	1	17
	1	1	125		15	1	17
196033	13	1	25		48	1	31
196703	13	1	23		23	1	37
197025	43	1	53		53	1	41
197717	23	1	121	248712	8	1	209
	78	1	143	248987	21	1	105
	40	1	179	249062			212
198056	12	1	25		25	1	51
200734	7	1	21	249100	58	1	41
	20	1	63		58	1	33
	15	1	195		11	1	173
210043	2	1	45		18	1	105
213404	22	1	153		38	1	139
	33	1	175	249128	11	1	25
214045	5	1	177	249129	7	1	23
	5	1	167	25	35	1	99
	13	1	163		19	1	201
214046	14	1	163	25069	15	1	119
214122	12	1	103	25121	59	1	141
216698	4	1	195	25193	17	1	49
217208	19	1	113		76	1	59
	33	1	149	252687	6	1	151
	33	1	161	254146	48	1	55
	33	1	179	254378	11	1	187
	44	1	171	254398	21	1	177
218527	64	1	41		21	1	167
	64	1	33	25447	21	1	63
218788	2	1	9	25457	50	1	109
221481	62	1	33		3	1	115
226223	2	1	69	25459	26	1	73
226871	14	1	25	255071	26	1	139
229373	4	1	65	25523	2	1	151
	18	1	189	255918	32	1	161
232491	62	1	141		29	1	147
236681	20	1	189		12	1	17
237911	36	1	149		4	1	49
237980	36	1	149		3	1	71
	6	1	69		15	1	75
	27	1	177		5	1	85

MODEL 855 ROUND BALER

NUMERICAL INDEX

PART NUMBER	FIG.	SEC	PAGE	PART NUMBER	FIG.	SEC	PAGE
255918	*	17	1 87	26402	*	7	1 27
		17	1 93			11	1 27
		19	1 97			7	1 35
		1	1 119			11	1 35
		16	1 119			34	1 175
		19	1 121			5	1 199
		6	1 131			8	1 195
		13	1 131	264513		6	1 173
		47	1 171			12	1 153
		12	1 173			12	1 93
		32	1 179			31	1 107
25667		18	1 77	264795		6	1 183
256873		39	1 107	26538		4	1 9
		13	1 27	267505		21	1 19
		13	1 35	268118		45	1 79
		16	1 113			8	1 85
		6	1 115			41	1 91
257314		34	1 135	26981		15	1 11
257492		42	1 101			15	1 13
		9	1 157				1 212
		44	1 161	26995		41	1 179
		32	1 179			22	1 121
		2	1 183			77	1 143
25808		47	1 39	271288		5	1 183
		47	1 31			18	1 185
25810		17	1 49			1	1 183
25812		47	1 39			16	1 153
		47	1 31			27	1 37
25817		47	1 31			27	1 29
		47	1 39			11	1 45
25819		17	1 49			22	1 47
26129		58	1 141			6	1 95
		49	1 91			21	1 97
		7	1 27			10	1 151
		22	1 67			20	1 113
		22	1 69	272464		37	1 139
26130		31	1 47			35	1 155
		25	1 133	272535		44	1 161
261751		73	1 43			32	1 179
26301		17	1 63			35	1 169
		44	1 91	272721		42	1 19
		13	1 195	27310		11	1 111
		8	1 195			21	1 133
263117		8	1 187	273110		31	1 29
		9	1 205				1 212
		29	1 179	273298		13	1 11
		30	1 169	273299		9	1 11
		29	1 185	273300		5	1 11
		49	1 181	273305		12	1 11
		41	1 161	273379		13	1 45
		35	1 149	273422		10	1 11
26312		43	1 91			10	1 13
26382		33	1 139			10	1 15
26402		5	1 131	27373		20	1 185
		10	1 65			2	1 173
		12	1 69	27503		14	1 15

MODEL 855 ROUND BALER

NUMERICAL INDEX

PART NUMBER	FIG.	SEC	PAGE	PART NUMBER	FIG.	SEC	PAGE
27503	*	18	1 67	280140	*	33	1 99
		19	1 69			44	1 107
27531		3	1 93			5	1 191
276433		1	1 145	280154		9	1 183
		1	1 157	280158			1 61
27696		10	1 45	280161		29	1 179
27697		43	1 39			30	1 169
		50	1 109			11	1 151
278980		9	1 145	280172		10	1 25
27907		19	1 137	280174		1	1 17
27952		31	1 89	280223		48	1 81
27953		11	1 193	280236		1	1 187
280112		7	1 71	280250		26	1 73
		4	1 71			13	1 119
		4	1 127			8	1 95
		5	1 127	280254		6	1 187
280120		11	1 85	280266		25	1 139
280126		8	1 75	280275		1	1 207
280127		15	1 113	280279		27	1 169
		51	1 109			9	1 157
		47	1 107			27	1 177
		42	1 107	280295		6	1 131
		1	1 151			5	1 23
280129		11	1 137	280315		11	1 123
		29	1 155	280316		55	1 81
		4	1 127	280327		6	1 119
		5	1 127			14	1 75
		19	1 201			4	1 65
		9	1 193			12	1 193
		3	1 207			12	1 173
		35	1 99			16	1 175
		42	1 101			28	1 159
		5	1 111			30	1 161
		20	1 125			19	1 153
		18	1 125			20	1 153
		5	1 93	280341		73	1 33
		14	1 93	280373		68	1 33
		11	1 95	280374		60	1 33
		4	1 71			2	1 25
		17	1 69			60	1 41
280140		13	1 97			4	1 75
		14	1 97	280375		11	1 75
		4	1 95			21	1 27
		9	1 95			21	1 37
		10	1 95			43	1 39
		3	1 95	280420		73	1 33
		48	1 107			9	1 103
		43	1 101			8	1 103
		20	1 97	280428		6	1 119
		22	1 97			12	1 123
		23	1 97			24	1 121
		25	1 97			14	1 123
		26	1 97			13	1 93
		27	1 99			8	1 151
		28	1 99			9	1 151
		29	1 99	280430		8	1 183

MODEL 855 ROUND BALER

NUMERICAL INDEX

PART NUMBER	FIG.	SEC	PAGE	PART NUMBER	FIG.	SEC	PAGE
280430	* 50	1	81	280616	48	1	107
	53	1	31	280620	27	1	51
	23	1	37		56	1	55
	23	1	29	280644	28	1	165
	53	1	41	280657	5	1	93
280431	50	1	41	280662	35	1	89
	77	1	43		34	1	89
	19	1	45	280696	2	1	21
	15	1	49		2	1	23
	1	1	61	280699	9	1	131
	10	1	63	280700	40	1	171
	57	1	55	280724	4	1	117
	40	1	53	280736	51	1	109
	44	1	53		11	1	111
	13	1	75		1	1	115
	23	1	77		27	1	87
	32	1	29		25	1	87
	5	1	27		16	1	85
	35	1	29		40	1	29
	41	1	29		40	1	39
	43	1	31		35	1	53
	6	1	17		36	1	53
	32	1	37		9	1	131
	35	1	37		23	1	133
	41	1	39		16	1	195
	45	1	39		1	1	207
	46	1	39	280879	9	1	173
	50	1	31		53	1	81
	5	1	35		1	1	103
	24	1	87	280942	46	1	171
	16	1	93		12	1	177
	12	1	95		45	1	179
	9	1	119		12	1	183
	8	1	103		1	1	187
	9	1	103		2	1	187
	29	1	179		11	1	187
	10	1	199		4	1	187
	9	1	127		12	1	167
	11	1	199		18	1	159
	35	1	149	280954	11	1	85
	37	1	135		48	1	81
	41	1	161		49	1	81
	30	1	169		9	1	75
280471	40	1	171	280963	45	1	141
	43	1	161		2	1	203
	31	1	147		3	1	203
	43	1	179	280975	18	1	25
280496	4	1	75	281024	1	1	187
280497	40	1	101		2	1	187
	15	1	145		6	1	187
	44	1	135	281037	16	1	185
	14	1	157	281054	2	1	157
280502	77	1	43		4	1	145
280503	29	1	159	28110	24	1	153
280566	11	1	137		2	1	65
280589	12	1	153		37	1	99

MODEL 855 ROUND BALER

NUMERICAL INDEX

PART NUMBER	FIG.	SEC	PAGE	PART NUMBER	FIG.	SEC	PAGE
28110	*	25	1 121	300862S36	*	20	1 125
		67	1 143	300890S36		3	1 193
		4	1 193			37	1 171
		16	1 201	300942S36		17	1 35
28114		16	1 201			17	1 27
		5	1 193	304720S36		1	1 45
		68	1 143			24	1 47
		26	1 121			35	1 53
		38	1 99			36	1 99
		3	1 65			1	1 69
		23	1 153			28	1 153
28246		8	1 21			43	1 135
28259		19	1 67			22	1 185
		20	1 69	304726S36		10	1 75
28280		3	1 137			18	1 87
28285		14	1 93			12	1 95
283032		8	1 123			2	1 95
283033		5	1 123			23	1 47
283373		39	1 171			35	1 37
28383		24	1 77			36	1 39
28384		48	1 141			41	1 39
285072		5	1 85			45	1 39
		4	1 131			35	1 29
		71	1 143			36	1 29
		12	1 153			41	1 29
		9	1 173	304760S36		3	1 69
		8	1 193			26	1 189
		3	1 195	304768S36		1	1 137
		5	1 195	304800S36		10	1 63
285444		1	1 177			57	1 55
		3	1 163			1	1 61
		1	1 167			29	1 29
286497		42	1 135			6	1 17
			1 212			43	1 19
286527		6	1 27			77	1 43
		6	1 35	304834S36		44	1 91
287333		19	1 133			9	1 127
287341		7	1 137			35	1 149
288123		27	1 165			41	1 161
288914		12	1 123			30	1 169
288917		11	1 123			29	1 179
288919		13	1 123	304905S36		37	1 135
289194		2	1 123	304944S36		1	1 75
29212		2	1 13			2	1 25
		2	1 15	32379		20	1 133
29214		3	1 15	32429		4	1 103
		3	1 13	33212		30	1 139
		22	1 19	33261		14	1 21
			1 212	33778		32	1 107
29711		29	1 133			4	1 123
29840		67	1 33	33781		6	1 123
		67	1 41	33915		41	1 91
		35	1 53	34069		32	1 139
300858S36		35	1 99	34195		36	1 99
		19	1 201	34439		12	1 45
300862S36		18	1 125	34791S36		1	1 45

MODEL 855 ROUND BALER

NUMERICAL INDEX

PART NUMBER	FIG.	SEC	PAGE	PART NUMBER	FIG.	SEC	PAGE
34791S36	*	7	1 45	35544	13	1	199
		21	1 47	35717	9	1	123
		24	1 47	35948		1	199
		1	1 69	36491	28	1	175
		13	1 93		27	1	159
		39	1 101	36724	21	1	23
		11	1 103	36725	15	1	23
		33	1 107	36823	30	1	19
		36	1 107	37136	24	1	19
		46	1 107		39	1	53
		8	1 111	37251	2	1	15
		10	1 111		2	1	11
		4	1 115		2	1	13
		12	1 123	37466	4	1	137
		14	1 123	37836	55	1	55
		2	1 125	37851	12	1	127
		43	1 135	37945	11	1	137
		1	1 137	38260	25	1	175
		62	1 141	38668	7	1	69
		72	1 143		74	1	59
		15	1 145		11	1	65
		16	1 147	40293	76	1	43
		1	1 151	40305	17	1	11
		8	1 151		17	1	13
		9	1 151			1	212
		19	1 153	40662	31	1	53
		20	1 153	40699	20	1	19
		25	1 153	40974	46	1	19
		14	1 157		16	1	17
		15	1 159	41261	7	1	61
		28	1 159	41479	21	1	21
		30	1 161	41480	20	1	21
		1	1 163	41613	27	1	121
		4	1 163		26	1	147
		19	1 165		36	1	161
		2	1 167		31	1	169
		28	1 169		35	1	179
		37	1 171	42611	15	1	97
		40	1 171	42622	3	1	103
		2	1 177		12	1	119
		46	1 181		17	1	133
		22	1 185	43295	57	1	31
		2	1 189	43302	37	1	53
		24	1 189	44720S36DS	14	1	93
		1	1 193		50	1	109
		3	1 193		2	1	115
		12	1 193		21	1	121
		2	1 203		9	1	145
		3	1 203		29	1	155
34796S36		2	1 25		3	1	207
		15	1 25	44775	22	1	137
		60	1 33	45631	49	1	41
		60	1 41	46041	26	1	47
35370		36	1 135	46431	26	1	165
		24	1 105	46432	45	1	171
35469		43	1 31		47	1	181

MODEL 855 ROUND BALER

NUMERICAL INDEX

PART NUMBER	FIG.	SEC	PAGE	PART NUMBER	FIG.	SEC	PAGE
46432	*	11	1 183	514929	*	6	1 71
		20	1 147			5	1 71
		17	1 159	514999		20	1 105
46520		17	1 69			3	1 111
			1 212	516579		28	1 89
		16	1 67			8	1 45
		8	1 17	516914		50	1 109
46789		65	1 33			5	1 115
		65	1 41	517700		17	1 189
46912		50	1 41	523282		9	1 17
		50	1 31			31	1 53
46962		15	1 67			7	1 71
		16	1 69			28	1 105
47066		2	1 35			50	1 109
		14	1 17			2	1 115
		2	1 27			44	1 161
47067		3	1 27			35	1 169
		3	1 35			32	1 179
47306		5	1 69			43	1 139
47325		10	1 17			36	1 149
47569		17	1 45			6	1 183
47621			1 212			2	1 183
		3	1 11			8	1 203
47630		6	1 11			1	1 187
47832		22	1 105	523291		9	1 17
47948		4	1 11	523292		2	1 183
48151		9	1 199			32	1 179
48360		45	1 19			44	1 161
48527		14	1 131			36	1 149
48976		9	1 21			35	1 169
48977		10	1 21	52367		7	1 17
49683		13	1 49			20	1 67
49686		12	1 49			21	1 69
50600		28	1 139	52443		20	1 87
510098		19	1 175	52481		38	1 19
510330		57	1 41	528348		2	1 21
510361		1	1 115			2	1 23
		51	1 109	529034		6	1 117
510932		43	1 107			7	1 129
		15	1 113	529068		2	1 203
		8	1 115			3	1 203
511265		43	1 39	529070		24	1 73
511684		44	1 141	54187		55	1 31
512536		39	1 79			55	1 41
514926		28	1 73	54695		29	1 51
		5	1 71	54770		28	1 51
		6	1 71	54846		35	1 175
		20	1 71	56128		23	1 175
		23	1 71	56358		8	1 137
		9	1 71	56760		6	1 15
		17	1 71			6	1 13
514929		20	1 71	56801		7	1 13
		17	1 71			7	1 11
		28	1 73			7	1 15
		23	1 71	56867		3	1 61
		9	1 71			29	1 79

MODEL 855 ROUND BALER

NUMERICAL INDEX

PART NUMBER	FIG.	SEC	PAGE	PART NUMBER	FIG.	SEC	PAGE
570821	1	1	95	592745	11	1	125
	21	1	97				197
	27	1	99	592896	1	1	197
	41	1	101	594116	9	1	205
	46	1	107	595671	13	1	189
	6	1	111	596021	1	1	117
	12	1	113	600858	21	1	165
	2	1	85	602016			212
	3	1	85		2	1	71
	30	1	147	602358	3	1	193
	23	1	159	602359	6	1	193
	25	1	159	602367	8	1	193
	37	1	179	602504	56	1	141
	1	1	183	602505	51	1	141
	10	1	191		4	1	125
	1	1	203	602506	5	1	125
	38	1	161		52	1	141
	7	1	203	602997	16	1	163
	8	1	203		8	1	167
572710	11	1	119		8	1	177
572820	3	1	21	603149	54	1	141
	3	1	23		7	1	125
573515	18	1	133	603153	6	1	125
573944	40	1	91		53	1	141
574518	56	1	81	603241	2	1	125
574844	24	1	175	603373	18	1	63
575989	14	1	153		14	1	195
576020	6	1	203	603939	13	1	15
576658	15	1	49		13	1	13
577903	12	1	25	603940	9	1	15
577927	20	1	113		9	1	13
578189	4	1	49	604231	5	1	9
	53	1	31	604557	32	1	175
	53	1	41	604727	6	1	187
		1	212	604893	18	1	125
578471	11	1	177	604896	7	1	71
	11	1	167	604972	8	1	189
578850	2	1	119	605032	39	1	19
578946	14	1	125				212
	3	1	127	605846	5	1	103
579113	8	1	15	608145	17	1	119
58011	44	1	31		10	1	131
	26	1	133				212
58106	19	1	45	608566	6	1	131
58638	44	1	91		16	1	119
58771	64	1	83	608851	3	1	203
58821	49	1	135	608852	2	1	203
58851S36	73	1	57	608929	1	1	131
58880	24	1	73	609188	4	1	131
591391	5	1	117	610038			212
592225	14	1	25		15	1	125
59273	20	1	147	610320	21	1	71
	17	1	159	611450	21	1	137
	45	1	171	612947	6	1	93
	47	1	181	612957	10	1	93
	11	1	183	612964	32	1	89

MODEL 855 ROUND BALER

NUMERICAL INDEX

PART NUMBER	FIG.	SEC	PAGE	PART NUMBER	FIG.	SEC	PAGE
613122	29	1	73	628417	18	1	21
613433	25	1	139	630118	11	1	95
613588	24	1	87		3	1	207
613628	23	1	139	630479	30	1	133
613650	4	1	71	630557	12	1	17
	19	1	125	630718	18	1	121
	4	1	127		15	1	131
613701	25	1	87	631201	54	1	55
613759	6	1	137	632545	29	1	47
613812	1	1	137		9	1	173
613988	8	1	163	63261	54	1	31
614242	36	1	19		54	1	41
614243	25	1	19	633492	23	1	185
614328	29	1	139	634036	8	1	23
614445	46	1	141	634067	39	1	139
	10	1	199	634233	22	1	77
615014	76	1	143	634408	14	1	71
615432	1	1	145	634975	21	1	153
	1	1	157	635027	10	1	189
615964	23	1	19	635060		1	212
617768	8	1	131		43	1	79
617887	12	1	157		6	1	85
	12	1	145	635304	9	1	119
	23	1	169	635918	60	1	141
	23	1	177	636295	52	1	31
617939	8	1	119	636665	10	1	145
617945	31	1	155		25	1	169
	10	1	131		10	1	157
618408	15	1	17		10	1	187
618883	11	1	199		25	1	177
	44	1	141	636666	10	1	187
619788	30	1	165		24	1	177
619939	30	1	99		11	1	157
621326	20	1	125		24	1	169
	15	1	205		11	1	145
621486	61	1	141	636816	5	1	85
622263	9	1	111	637427	5	1	93
	25	1	47	637808	5	1	71
622346	36	1	139	637871	4	1	85
623303	19	1	133	637872	3	1	85
623796	20	1	121	637919	12	1	85
	11	1	131	637964	3	1	85
624524	34	1	139	638025	30	1	51
625822	5	1	127	638513	16	1	85
626572	18	1	37			1	212
	74	1	33	638867	21	1	51
627040	6	1	203			1	212
	8	1	203	639257	4	1	93
627050	17	1	21	639454	13	1	71
627051	13	1	21	639632	53	1	55
628324	1	1	21	639652	6	1	75
628368	12	1	21	639653	5	1	75
628394	22	1	21	640326	2	1	25
628395	22	1	21	640430	71	1	143
628400	6	1	17	640443	16	1	133
	1	1	21	640450	13	1	131

MODEL 855 ROUND BALER

NUMERICAL INDEX

PART NUMBER	FIG.	SEC	PAGE	PART NUMBER	FIG.	SEC	PAGE
640450	*	19	1 121	648224	*		1 212
640460		45	1 141	648373		78	1 59
640464		72	1 143	648407			1 9
640465		63	1 141			3	1 17
64053		1	1 17	648940		19	1 19
		2	1 17	648942		18	1 19
640576		2	1 103	649106		13	1 93
		15	1 71	649147		1	1 45
640675		47	1 55	649149		14	1 45
640934		66	1 41	649151		21	1 47
641190		16	1 77	649260		25	1 189
641339		19	1 25	65060		8	1 11
641596		8	1 49	65319		6	1 17
641839		6	1 25			4	1 27
641845		70	1 33			32	1 29
		70	1 43			35	1 29
642165		17	1 49			41	1 29
642296		63	1 41			71	1 33
64263		29	1 19			4	1 35
		77	1 43			32	1 37
		24	1 47			35	1 37
642729		51	1 55			41	1 39
643084		50	1 55			45	1 39
643381		32	1 135			46	1 39
643396		38	1 19			71	1 43
644127		5	1 95			77	1 43
644725		47	1 135			13	1 75
644780		66	1 143			26	1 77
644782		70	1 143			28	1 79
645109		73	1 143			44	1 91
645354		13	1 21	65930		2	1 137
645370		17	1 21	66494		47	1 39
646647		12	1 25	66614		60	1 33
647174		10	1 125			60	1 41
647175		7	1 123	66812		5	1 137
647183		7	1 119	675038		66	1 33
647187		1	1 119	675042		63	1 33
647193		14	1 119	675056		3	1 191
647199		4	1 119			5	1 189
647201		12	1 193	675058		3	1 189
647202		14	1 123	675126		2	1 189
647319		13	1 85			5	1 191
647320		14	1 85	675162		8	1 183
647436		6	1 71			36	1 149
647458		1	1 123			35	1 169
647474		14	1 131			32	1 179
647624		23	1 71			31	1 79
647625		9	1 71			6	1 111
647626		20	1 71	67517		18	1 69
647627		28	1 73			17	1 67
647628		17	1 71	67526		5	1 25
647819		13	1 119	67527		4	1 25
647991		33	1 89	675272		19	1 49
648223		16	1 71	675273		23	1 51
			1 212	675275		37	1 53
648224		10	1 71	675276		3	1 49

MODEL 855 ROUND BALER

NUMERICAL INDEX

PART NUMBER	FIG.	SEC	PAGE	PART NUMBER	FIG.	SEC	PAGE
675296	44	1	53	677913	12	1	173
675297	42	1	53	678052	7	1	75
675303	24	1	51	678790	36	1	79
675353	27	1	153	679146	31	1	139
675416	38	1	29	679215	20	1	47
675472	37	1	19	679322	50	1	141
675484	69	1	33	679359	26	1	29
675492	46	1	31		26	1	37
675498	30	1	37	679360	22	1	37
	30	1	29		22	1	29
675522	68	1	33	679361	23	1	29
675524	42	1	31		23	1	37
675525	58	1	33	67951	5	1	111
675526	72	1	33	679574	47	1	79
675528	48	1	31		9	1	85
675529	61	1	33	679750	46	1	79
	61	1	41		10	1	85
675609	39	1	39		36	1	89
	39	1	29		16	1	35
		1	212		16	1	27
675611		1	212	680025	7	1	27
	40	1	29		7	1	35
	40	1	39	680111	1	1	25
675617	43	1	135	680676	34	1	89
675652	68	1	57	680677	35	1	89
675724	35	1	37	680745	2	1	49
	35	1	29	682151	25	1	37
675843	10	1	27		25	1	29
	10	1	35	682228	1	1	95
675844	11	1	35	682229	26	1	97
	11	1	27	682231	8	1	35
676187	31	1	135		8	1	27
676400	5	1	27	682360	3	1	145
676459	18	1	49		3	1	157
676538	27	1	87	682393	41	1	79
676950	40	1	53	682426	4	1	95
676951	57	1	55	682427	3	1	95
677194	1	1	93	682430	13	1	97
677195	2	1	93	682431	23	1	97
677621	6	1	119	682432	6	1	95
677808	5	1	111	682433	25	1	97
	18	1	49	682435	14	1	97
	20	1	51	682436	20	1	97
	21	1	51	682439	19	1	97
	32	1	179	682445	17	1	97
	2	1	183	682450	28	1	99
	10	1	205	682452	14	1	75
	21	1	121	682456	17	1	87
	44	1	135	683310	32	1	53
	47	1	135			1	212
	48	1	135	684214	23	1	133
	36	1	149	684215	24	1	133
	44	1	161	684217	28	1	133
	35	1	169	684230	46	1	135
	43	1	171	684455	1	1	189
677811	59	1	57		1	1	191

MODEL 855 ROUND BALER

NUMERICAL INDEX

PART NUMBER	FIG.	SEC	PAGE	PART NUMBER	FIG.	SEC	PAGE
684574	45	1	135	690739	21	1	97
684635	34	1	37	690836	2	1	95
	34	1	29	690911	14	1	35
684636	45	1	31		14	1	27
684638	41	1	29	690945	15	1	27
	41	1	39	690985	44	1	135
684668	1	1	17	691052	13	1	27
684720	52	1	55		13	1	35
685058	14	1	189	691126	16	1	189
685135	8	1	75	691135	27	1	99
685136	15	1	75	691370	37	1	89
685183	9	1	189	691419	27	1	189
685184	6	1	189	691652	21	1	77
685553	11	1	173	691689	3	1	125
686361	24	1	47	691732	28	1	79
686362	7	1	45	691733	26	1	77
686514	8	1	95	691736	27	1	79
686559	9	1	45	691782	17	1	77
686883	30	1	47	692449	33	1	99
686922	11	1	21		17	1	201
687033	23	1	165	692549	39	1	101
687090	27	1	47	692852	29	1	165
687275	20	1	37	692901	23	1	77
	20	1	27	692902	20	1	77
687277	17	1	35	692903	25	1	77
	17	1	27	693034	9	1	65
687351	4	1	45		11	1	69
688238	22	1	47	693037	9	1	69
688386	21	1	121		7	1	65
688579	9	1	75	693039	1	1	65
688756	13	1	75	693042	1	1	111
688757	11	1	75	693481	38	1	89
689509		1	212	693482	37	1	39
	33	1	29		37	1	29
689985	7	1	111	693781	15	1	25
689986	44	1	107	693837	16	1	93
	16	1	113	694181	19	1	185
	6	1	115		17	1	175
689987	7	1	115	694371	31	1	161
	13	1	113	694478	41	1	19
	42	1	107		29	1	29
689988	10	1	111		29	1	37
689989	18	1	113	694776	30	1	155
689990	17	1	113	695182	23	1	47
689994	12	1	113	695260	53	1	55
690340	21	1	189	695630	29	1	99
690341	18	1	189	695679	9	1	27
	14	1	189		9	1	35
	26	1	97	695691	27	1	37
	27	1	189		27	1	29
	62	1	57		11	1	45
	31	1	79	695770	10	1	75
	4	1	93	695951	27	1	73
690462	18	1	71	696059	58	1	57
690603	4	1	111	696365	52	1	109
690738	10	1	95		14	1	113

MODEL 855 ROUND BALER

NUMERICAL INDEX

PART NUMBER	FIG.	SEC	PAGE	PART NUMBER	FIG.	SEC	PAGE
696365	*	9	1 115	714411	*	9	1 195
696473		31	1 99	714555		8	1 203
696641		12	1 63			25	1 185
697167		20	1 51			24	1 51
			1 212			48	1 31
697169		27	1 51			12	1 17
697728		17	1 153			13	1 17
697840		50	1 81			15	1 17
697870		3	1 69			18	1 121
697922		15	1 153			21	1 87
698069		19	1 87			8	1 103
698083		28	1 153			11	1 151
698195		22	1 87			38	1 155
698217		6	1 151	714611		49	1 141
698255		26	1 189	714915		8	1 71
698872		16	1 49	715300		44	1 161
699428		9	1 151	715968		18	1 153
699972		3	1 45	716189		22	1 189
699985		3	1 75	716441		43	1 139
700039		9	1 193	716470		2	1 163
		18	1 201	716473		25	1 165
		34	1 99	716474		17	1 163
70047		22	1 121	716480		12	1 131
		77	1 143	716638		7	1 163
701036		11	1 173	717064		3	1 123
701272		65	1 143	717122		22	1 165
701298		40	1 91	717399		28	1 29
		44	1 79			28	1 37
		7	1 85				1 212
701576		41	1 135	718450		17	1 177
701592		9	1 163			17	1 167
		4	1 167			11	1 163
		4	1 177	718546			1 163
702568		41	1 139	719880		20	1 165
		27	1 159				1 212
702603		30	1 73	72034S36		30	1 161
703623		19	1 23	72071S36DS		14	1 23
703624		20	1 23			7	1 35
705996		15	1 175			14	1 119
70643		77	1 143			9	1 131
		22	1 121	755961		21	1 105
707167		13	1 137	76165		78	1 43
707220		1	1 11	762310		16	1 85
707221		2	1 11				1 212
707372		7	1 49	762356		38	1 89
707851		9	1 45	762686		6	1 65
		22	1 87	762735		21	1 67
707859		22	1 71	762758		24	1 121
708182		10	1 191	763100		9	1 127
708460		6	1 103	763467		40	1 79
709988		42	1 139	763511		18	1 153
711051		1	1 183	763536		8	1 151
713155		42	1 79	764307		42	1 79
		8	1 115	764308		38	1 79
713281		42	1 135	76450		32	1 29
714411		11	1 63			32	1 37

MODEL 855 ROUND BALER

NUMERICAL INDEX

PART NUMBER	FIG.	SEC	PAGE	PART NUMBER	FIG.	SEC	PAGE
764616	42	1	39	769555	2	1	129
764622	43	1	135	769556	8	1	129
764625	46	1	135	769557	6	1	129
764632	58	1	41	769888	15	1	85
764636	45	1	39	769906	57	1	81
764753	30	1	79	770195	62	1	57
764755	37	1	79	770210	9	1	137
764956	2	1	17	770362	52	1	41
765009	3	1	71	770370	31	1	37
765641	60	1	57	770391	8	1	9
766198	13	1	67	770439	27	1	51
767386	46	1	39	770490	1	1	49
767456	13	1	145	770494	45	1	39
	10	1	187	770495	34	1	37
	22	1	177	770497	48	1	41
	13	1	157	770499	74	1	43
	22	1	167	772324	12	1	173
767501	18	1	45	772865	1	1	9
76770	26	1	165	773360	63	1	57
76771	26	1	165	773984	6	1	145
767729	27	1	99		5	1	157
76775	26	1	165	774729	22	1	133
767789	72	1	43	780964	42	1	161
767844	33	1	79		48	1	171
767861	13	1	103	781210	9	1	95
767893	21	1	147	781211	64	1	57
	12	1	183	781286	52	1	81
	18	1	159			1	212
767915	9	1	167	781293		1	212
	9	1	177		54	1	81
768106	6	1	163	781316	1	1	75
		1	212	781525	19	1	177
	4	1	187		19	1	167
768120	11	1	187	781526	18	1	177
	12	1	177		18	1	167
	1	1	157	781528	20	1	167
	12	1	167		20	1	177
	1	1	145	781849	23	1	67
768125	46	1	171		8	1	69
	45	1	179	782453	25	1	153
768213	2	1	117	782455	26	1	153
76826	32	1	79	782567	32	1	155
768349	73	1	33	782581	37	1	155
768572	45	1	91	782652	5	1	157
768614	15	1	85		6	1	145
768703	7	1	93	782919	5	1	35
768923	29	1	155	783048	8	1	145
768929	2	1	173	783455	56	1	55
	28	1	179	783501	4	1	191
	20	1	185	783503	8	1	191
768935	17	1	25	783504	6	1	191
768940	26	1	51	783681	31	1	147
768953	47	1	141		43	1	161
768988	70	1	57		41	1	171
769381	14	1	67		30	1	179
769553	1	1	129		9	1	183

MODEL 855 ROUND BALER

NUMERICAL INDEX

PART NUMBER	FIG.	SEC	PAGE	PART NUMBER	FIG.	SEC	PAGE
783730	61	1	83	787760	60	1	83
783765	23	1	147		32	1	79
784339		1	129	787762	33	1	79
784436	1	1	157	787763	34	1	79
784543	56	1	55		58	1	81
784699	43	1	171	788348	21	1	27
784700	40	1	171		21	1	37
784701	3	1	151	788367	3	1	25
784759	40	1	101	788369	11	1	127
784918	26	1	51	788421	4	1	151
784932	14	1	93	788614	24	1	147
785002	38	1	53		21	1	159
785015	28	1	99		36	1	171
785190	9	1	191		44	1	179
785640	36	1	155		28	1	185
785641	37	1	155	788783	33	1	155
785760	33	1	37	788784	34	1	155
785765	22	1	97	788851	6	1	45
785810	12	1	71	788853	32	1	53
785812		1	117	788854	9	1	23
		1	212			1	212
785820	65	1	57	788855	18	1	23
785821	66	1	57	791011	29	1	155
785822	67	1	57	791309	77	1	43
786016	1	1	25	791697	9	1	187
786112	1	1	157	791787	14	1	137
	1	1	145	791788	12	1	137
786281	32	1	149	792014	2	1	85
	39	1	161	792025	20	1	77
786318	37	1	171	792026	5	1	145
786457	53	1	81		22	1	147
		1	212		19	1	159
786497	31	1	99		8	1	157
786551	44	1	39		12	1	209
786578	4	1	189		7	1	183
	2	1	191	792031	16	1	185
786588	1	1	25		4	1	157
786717	52	1	81		14	1	145
		1	212	792187	20	1	153
786718	61	1	83	792188	19	1	153
786719	54	1	81	792278	1	1	27
		1	212	792299	40	1	19
786798	48	1	135	792416	58	1	81
787044	7	1	95	792417	34	1	79
787045	24	1	97	792420	60	1	83
787075	51	1	81	792688	10	1	173
787110	1	1	23	792701	30	1	105
787112	10	1	23	792975	27	1	147
		1	212		34	1	179
787113	12	1	23		37	1	161
787116	16	1	23		32	1	169
787117	11	1	23	794009	11	1	205
787240	5	1	23	794034	7	1	191
787456	20	1	175	794169	6	1	17
787743	43	1	101			1	21
787745	27	1	99			1	23

MODEL 855 ROUND BALER

NUMERICAL INDEX

PART NUMBER	FIG.	SEC	PAGE	PART NUMBER	FIG.	SEC	PAGE
794219	62	1	41	798929	23	1	147
794350	1	1	35	798930	30	1	147
794498	13	1	35		38	1	161
	22	1	47	798935	23	1	97
795015	66	1	57	799974	5	1	65
	67	1	57	80407	23	1	21
795018	19	1	159	80428	37	1	155
	22	1	147	80618	65	1	33
795019	5	1	145		65	1	41
	8	1	157	80664	2	1	23
795301	39	1	179		1	1	69
	27	1	121		8	1	111
795419	4	1	115		50	1	109
	50	1	109		33	1	107
795420	22	1	97		46	1	107
795423	2	1	115		1	1	115
795524	7	1	151		4	1	115
795527	16	1	153		27	1	99
795528	1	1	151		19	1	105
795530	10	1	151		25	1	105
795534	13	1	153		26	1	105
795542	11	1	151		25	1	153
795551	6	1	127		19	1	153
795557	1	1	85		20	1	153
796132	62	1	83		1	1	151
796216	1	1	71		8	1	151
796284	3	1	195		9	1	151
796374	9	1	45		15	1	145
796381	27	1	79		3	1	193
796456	4	1	195		37	1	171
796718	7	1	145		22	1	185
	6	1	157		1	1	187
796719	16	1	159		2	1	177
	19	1	147		9	1	157
	10	1	183		14	1	157
796762	16	1	195		28	1	159
796768	18	1	195		4	1	163
796772	6	1	195		30	1	161
796775	8	1	195		27	1	165
797676	49	1	91		2	1	167
797773	68	1	41		19	1	165
797875	25	1	73		3	1	203
798010	4	1	111		2	1	203
798134	2	1	195		8	1	203
798759	41	1	101		1	1	207
798848	28	1	79		9	1	199
798849	26	1	77	80679	10	1	199
798890	47	1	91		11	1	199
798891	48	1	91		3	1	203
798894	17	1	93		2	1	203
798903	81	1	59		10	1	125
798904	80	1	59		9	1	127
798927	42	1	179		37	1	135
	42	1	171		9	1	103
	34	1	149		8	1	103
	34	1	161		24	1	87

MODEL 855 ROUND BALER

NUMERICAL INDEX

PART NUMBER	FIG.	SEC	PAGE	PART NUMBER	FIG.	SEC	PAGE
80679	*	2	1 95	80680	*	22	1 165
		12	1 95			23	1 165
		18	1 87			40	1 161
		7	1 119			29	1 159
		9	1 119			29	1 179
		10	1 75			1	1 173
		1	1 61			6	1 173
		10	1 63			11	1 173
		23	1 47			30	1 169
		2	1 49			1	1 199
		15	1 49			2	1 199
		40	1 53			3	1 199
		44	1 53			4	1 199
		72	1 57	80682		27	1 169
		57	1 55			1	1 187
		32	1 29			27	1 177
		50	1 31			9	1 157
		36	1 29			9	1 145
		43	1 31			5	1 111
		50	1 41			2	1 115
		19	1 45				1 61
		73	1 33			52	1 55
		32	1 37	80684		3	1 65
		36	1 39			10	1 17
80680		68	1 33			26	1 121
		66	1 41			32	1 99
		5	1 21			38	1 99
		71	1 57			16	1 201
		55	1 55			21	1 147
		50	1 55			68	1 143
		3	1 69			23	1 153
		6	1 75			21	1 189
		18	1 121			5	1 193
		1	1 123			6	1 163
		46	1 107			12	1 163
		38	1 107			5	1 177
		26	1 77			12	1 177
		28	1 79			5	1 167
		28	1 89			12	1 167
		41	1 135	80700		23	1 47
		13	1 137			50	1 41
		24	1 139			16	1 93
		25	1 139			16	1 105
		49	1 141			35	1 149
		63	1 141			36	1 161
		25	1 147			30	1 169
		11	1 151			2	1 203
		18	1 153			3	1 203
		10	1 127			29	1 179
		2	1 123			22	1 185
		15	1 131	80702		1	1 199
		19	1 133			2	1 199
		28	1 133			3	1 199
		30	1 133			4	1 199
		26	1 189			15	1 199
		19	1 165			29	1 179

MODEL 855 ROUND BALER

NUMERICAL INDEX

PART NUMBER	FIG.	SEC	PAGE	PART NUMBER	FIG.	SEC	PAGE
80702	*	14	1 173	80755	*	16	1 105
		31	1 169			17	1 105
		42	1 171			34	1 139
		1	1 173	80756		26	1 147
		23	1 165			35	1 149
		30	1 169			16	1 133
		30	1 161			10	1 123
		40	1 161			2	1 115
		22	1 165			23	1 29
		34	1 149			26	1 29
		29	1 159			23	1 37
		11	1 151			27	1 47
		13	1 153			26	1 37
		25	1 147			7	1 65
		26	1 147			9	1 69
		27	1 133			14	1 173
		28	1 133			22	1 185
		30	1 133			26	1 185
		38	1 107	80759		43	1 135
		46	1 107	80768		65	1 143
		20	1 97	80777		36	1 155
		1	1 103	80810		29	1 89
		2	1 115			34	1 89
		18	1 121			35	1 89
		10	1 123	81743		9	1 163
		10	1 127	81824		4	1 17
		15	1 131	84001		2	1 127
		28	1 89			13	1 125
		26	1 77	84040		16	1 45
		28	1 79	84239		6	1 9
		5	1 85			2	1 61
		16	1 77			3	1 61
		20	1 77	84241		13	1 67
		3	1 69			14	1 69
		6	1 65	84302		12	1 125
		5	1 65	84303		1	1 137
		71	1 57			75	1 143
80744		10	1 45	84361		43	1 135
80754		51	1 55			42	1 31
		3	1 49			72	1 33
		10	1 25			72	1 43
		11	1 27			30	1 105
		11	1 35	84383		17	1 125
		9	1 65	84443		24	1 139
		11	1 69	84461		6	1 163
		12	1 85			12	1 163
		1	1 93	84467		1	1 187
		2	1 93	846646		73	1 57
		8	1 195	846647		42	1 53
80755		31	1 169	846651		77	1 59
		30	1 169	846652		44	1 53
		24	1 77	846671		16	1 97
		24	1 37			2	1 193
		24	1 29			13	1 205
		5	1 103	847011		15	1 69
		14	1 103			14	1 67

MODEL 855 ROUND BALER

NUMERICAL INDEX

PART NUMBER	FIG.	SEC	PAGE	PART NUMBER	FIG.	SEC	PAGE
847012	14	1	69	84943	*	9	1 151
	13	1	67			19	1 153
847556	1	1	49			20	1 153
847590	16	1	147			28	1 153
	15	1	159			15	1 145
	1	1	163			16	1 147
	28	1	169			3	1 193
	46	1	181			11	1 193
	13	1	185			12	1 193
	12	1	205			8	1 111
847662	11	1	17			10	1 111
847668	9	1	17			26	1 105
847793	27	1	159			13	1 93
847875	1	1	61			39	1 101
847876	10	1	63			14	1 123
84821	10	1	17			2	1 125
	32	1	99			12	1 123
	17	1	119			24	1 121
	5	1	167			1	1 69
	10	1	131			2	1 69
	12	1	167			73	1 43
	5	1	177			24	1 47
	12	1	177			7	1 45
848295	72	1	57	84944		16	1 45
84878	28	1	147			24	1 47
	35	1	161			74	1 43
	44	1	171			48	1 41
	36	1	179			3	1 69
84909	31	1	53			6	1 75
84910	1	1	75			18	1 77
84942	52	1	55			26	1 47
	5	1	111			50	1 55
	9	1	145			71	1 57
	27	1	177			54	1 55
	27	1	169			55	1 55
	9	1	157			18	1 121
84943	14	1	157			13	1 119
	15	1	159			6	1 123
	28	1	159			1	1 123
	30	1	161			2	1 123
	1	1	163			8	1 125
	4	1	163			15	1 131
	28	1	169			16	1 133
	2	1	167			19	1 133
	19	1	165			28	1 133
	2	1	177			30	1 133
	40	1	171			28	1 89
	1	1	193			31	1 89
	2	1	189			6	1 103
	24	1	189			8	1 193
	22	1	185			1	1 199
	46	1	181			2	1 199
	72	1	143			4	1 199
	39	1	135			15	1 199
	1	1	151			34	1 149
	8	1	151			24	1 139

MODEL 855 ROUND BALER

NUMERICAL INDEX

PART NUMBER	FIG.	SEC	PAGE	PART NUMBER	FIG.	SEC	PAGE
84944	*	49	1 141	850191	1	1	157
		55	1 141	850432	8	1	13
		42	1 179	850455	2	1	23
		26	1 189	850468	1	1	157
		42	1 171	850938	18	1	87
		6	1 173	850939	18	1	87
		12	1 173	850940	36	1	29
		14	1 173		36	1	39
		19	1 165	851288	16	1	17
		22	1 165	851769	22	1	147
		23	1 165		7	1	183
		28	1 165		19	1	159
		34	1 161		11	1	209
		29	1 159	851770	10	1	209
84949			1 61		7	1	183
849524		71	1 57	851771	8	1	157
84968		30	1 105		5	1	145
		8	1 111	851984	28	1	159
		34	1 89	852097	8	1	145
		29	1 89		7	1	157
		35	1 89	852188	1	1	69
		11	1 111	852189	2	1	69
		17	1 175	852191	39	1	101
		19	1 185	853615	4	1	145
		65	1 143		2	1	157
84969		9	1 137	853649	2	1	157
		14	1 173		4	1	145
		6	1 103	853709	3	1	203
		68	1 41		2	1	203
		72	1 33	853710	2	1	203
		42	1 31		3	1	203
		46	1 31	853711	3	1	203
		72	1 43	853764	35	1	169
84970		23	1 21		44	1	161
		9	1 127	853765	44	1	161
84972		17	1 27	853804	24	1	29
		17	1 35		24	1	37
		49	1 81	854152	1	1	75
849733		42	1 91	854729	41	1	161
			1 212		30	1	169
84983		72	1 43		29	1	179
850056		5	1 195	855141	14	1	15
850072		6	1 209		14	1	13
		6	1 211	855228	44	1	19
		3	1 183	855292	10	1	127
		7	1 183	855346	38	1	39
850097		9	1 75	855356	10	1	127
850106		22	1 159	855357	17	1	195
850107		24	1 159	855363	39	1	91
850116		44	1 19	855404	25	1	147
850164		29	1 159		40	1	161
850165		30	1 161		30	1	169
850166		23	1 159		29	1	179
850168		2	1 21	855428	15	1	185
850182		25	1 159	855454	7	1	183
850190		20	1 159				1 209

MODEL 855 ROUND BALER

NUMERICAL INDEX

PART NUMBER	FIG.	SEC	PAGE	PART NUMBER	FIG.	SEC	PAGE
855457	3	1	183	87016	*	9	1 45
855606	6	1	23		16	1	45
855716	14	1	15		50	1	55
	18	1	11		54	1	55
855717	18	1	11		7	1	71
	14	1	15		26	1	73
855718	14	1	15		11	1	119
	18	1	11		13	1	119
855719	18	1	11		1	1	123
	14	1	15		2	1	123
855720	11	1	13		6	1	123
	11	1	15		16	1	133
855723	11	1	11		45	1	135
856120	14	1	15		49	1	141
856121	14	1	15		63	1	141
856122	14	1	15		69	1	143
856558	18	1	11		75	1	143
856858	11	1	173		6	1	173
857132	30	1	175		14	1	173
857148	29	1	175		26	1	189
857164	27	1	105		3	1	195
857169	28	1	105	87039	2	1	189
857288	1	1	15	87101	22	1	165
	1	1	13	87125	46	1	31
857297	12	1	13		68	1	41
	12	1	15	87227		1	61
857298	5	1	15	87230	65	1	143
	5	1	13	87256	39	1	101
857570	1	1	27	87304	10	1	17
857581	59	1	83		38	1	99
		1	212		32	1	99
858559	14	1	187		3	1	65
858791	19	1	195		21	1	189
858841	3	1	167		16	1	201
	3	1	177		5	1	193
858904	14	1	177		5	1	167
	14	1	167		12	1	163
858905	34	1	169		12	1	167
	48	1	181		5	1	177
858911		1	167		12	1	177
		1	177		6	1	163
858956	35	1	169		21	1	147
	37	1	179		23	1	153
859048	16	1	45		68	1	143
859582	7	1	195		17	1	119
859583	1	1	195		10	1	131
859973	3	1	187		26	1	121
	1	1	145	87306	62	1	141
	1	1	157	87309	2	1	11
859981	15	1	105		2	1	13
860003	13	1	177		2	1	15
	13	1	167	87312	13	1	75
86326S36	7	1	127	87336	5	1	9
87016	8	1	9	87339	43	1	31
	26	1	29	87340	11	1	85
	26	1	37		9	1	75

MODEL 855 ROUND BALER

NUMERICAL INDEX

PART NUMBER	FIG.	SEC	PAGE	PART NUMBER	FIG.	SEC	PAGE
87340	* 48	1	81	87365	22	1	77
	49	1	81		49	1	55
87341	8	1	75		71	1	57
87361	11	1	95		60	1	41
	52	1	55		24	1	29
	42	1	139		24	1	37
	1	1	187		60	1	33
	5	1	111		7	1	193
87362	11	1	111		46	1	141
	6	1	119		2	1	131
	24	1	121		50	1	109
	12	1	123		4	1	115
	14	1	123	87367	51	1	55
	27	1	165		19	1	71
	39	1	135		12	1	85
	72	1	143	87381	18	1	27
	35	1	53		15	1	35
	24	1	47		5	1	119
	8	1	95		9	1	125
	13	1	93	87394	23	1	121
	36	1	99		78	1	143
87363	23	1	29		24	1	165
	27	1	47	87395	39	1	139
	23	1	37		37	1	89
	2	1	115	87397	1	1	65
87364	7	1	119		36	1	161
	9	1	119		3	1	173
	21	1	113		35	1	179
	5	1	103		27	1	121
	8	1	103		11	1	125
	9	1	103		24	1	133
	14	1	103		3	1	131
	17	1	105		4	1	119
	27	1	121	87398	8	1	195
	24	1	133		31	1	139
	10	1	125		19	1	63
	11	1	125		71	1	57
	37	1	135		2	1	61
	46	1	141		3	1	61
	35	1	179		50	1	55
	50	1	31		58	1	33
	25	1	51		58	1	41
	19	1	45		22	1	77
	57	1	55	87399	14	1	71
	40	1	53		14	1	69
	44	1	53		12	1	71
	1	1	65		13	1	67
	73	1	57		27	1	139
	5	1	27		19	1	113
	12	1	95	87400	5	1	199
	2	1	95	87406	8	1	9
	24	1	87	87408	5	1	13
	24	1	77		5	1	15
	7	1	65		1	1	75
	1	1	69		7	1	65
	9	1	69		9	1	69

MODEL 855 ROUND BALER

NUMERICAL INDEX

PART NUMBER	FIG.	SEC	PAGE	PART NUMBER	FIG.	SEC	PAGE
87414	11	1	69	87716	*	5	1 111
	9	1	65	87718		4	1 199
	9	1	123	87758		24	1 185
	2	1	125	87812		24	1 185
	3	1	125			9	1 163
	1	1	137			4	1 167
	21	1	137			4	1 177
	39	1	139	87826		45	1 179
	50	1	141			46	1 171
	3	1	193			18	1 159
	62	1	33			12	1 183
	62	1	41	87846		16	1 45
	47	1	55	87847		18	1 87
	51	1	55	87868		39	1 91
	81	1	59			32	1 37
	1	1	65			50	1 41
	3	1	11			32	1 29
	1	1	9			50	1 31
87415	31	1	139	87872		8	1 35
87455	3	1	9			9	1 35
87464	14	1	93			2	1 21
87493	43	1	139			2	1 23
87553	17	1	119			8	1 27
	10	1	131			9	1 27
87569	12	1	123			35	1 79
	1	1	137			2	1 103
	37	1	171			11	1 103
	37	1	19			46	1 107
	21	1	19			1	1 137
	22	1	19			19	1 165
87616	68	1	41	87878		17	1 27
	72	1	33			17	1 35
	42	1	31	87887		27	1 165
	46	1	31	87909		26	1 77
87629	1	1	17			28	1 79
	2	1	17			38	1 19
87653	24	1	185			4	1 45
87655	4	1	177	87916		4	1 21
	4	1	167			4	1 23
87657	1	1	187	87936		16	1 85
87667	1	1	177			2	1 123
	1	1	167			6	1 123
	42	1	139			4	1 131
	3	1	163			45	1 135
87689	4	1	27	87943		31	1 147
	32	1	29			43	1 179
	71	1	33			43	1 161
	32	1	37			41	1 171
	4	1	35			9	1 183
	29	1	37	87972		10	1 199
	71	1	43			11	1 199
	40	1	53			46	1 39
	72	1	57			61	1 57
	7	1	119			35	1 149
	10	1	125	87975		37	1 135
87716	7	1	71			1	1 173

MODEL 855 ROUND BALER

NUMERICAL INDEX

PART NUMBER	FIG.	SEC	PAGE	PART NUMBER	FIG.	SEC	PAGE
87975	*	9	1 119	88224	10	1	163
		19	1 45		16	1	167
		40	1 53		16	1	177
87997		12	1 95	88275	9	1	199
88011		30	1 169		1	1	193
		25	1 147		6	1	151
		40	1 161		25	1	87
		49	1 141		27	1	87
		10	1 127		50	1	109
		19	1 133		10	1	111
		1	1 173		4	1	115
		6	1 173	88346	40	1	29
		29	1 179		40	1	39
		3	1 195		21	1	47
		2	1 199		16	1	85
		14	1 49		5	1	173
		27	1 51		8	1	203
		32	1 53	88428	66	1	41
		50	1 55		29	1	47
		5	1 65		4	1	49
		8	1 65		55	1	55
		10	1 69		71	1	57
		6	1 75		28	1	89
		16	1 77		19	1	133
		31	1 89		2	1	199
		6	1 93		4	1	199
88019		30	1 105	88434	11	1	173
		29	1 89		13	1	137
88043		24	1 87		38	1	107
88058		45	1 141		46	1	107
88084		23	1 165		14	1	45
88112		2	1 17	88436	8	1	9
88130		25	1 51		6	1	131
		5	1 129		8	1	193
88146		29	1 155	88444	42	1	171
		50	1 109		42	1	179
		2	1 115		34	1	149
		9	1 193		34	1	161
88182		14	1 93	88456	33	1	19
88199		9	1 199	88458	43	1	161
88206		5	1 21		41	1	171
		5	1 23		31	1	147
		48	1 41		43	1	179
		6	1 65		9	1	183
		20	1 77	88463	2	1	125
		26	1 77	88530	1	1	61
		28	1 79		10	1	63
		22	1 87		44	1	141
		15	1 131		46	1	141
		24	1 133	88540	32	1	53
		41	1 135	88542	9	1	17
		63	1 141		1	1	187
		71	1 143		42	1	101
		1	1 199		5	1	111
		4	1 199	88543	33	1	107
		19	1 165		25	1	105

MODEL 855 ROUND BALER

NUMERICAL INDEX

PART NUMBER	FIG.	SEC	PAGE	PART NUMBER	FIG.	SEC	PAGE
88543	*	23	1 133	88845	16	1	195
		10	1 111	88854	14	1	27
		11	1 111		14	1	35
		19	1 105	88871	71	1	43
		25	1 153		71	1	33
		72	1 143		4	1	35
		7	1 45		4	1	27
		24	1 189		29	1	179
88544		8	1 203		44	1	141
		1	1 115		73	1	57
88546		20	1 77		39	1	91
		78	1 59		27	1	51
		13	1 153		56	1	55
		28	1 133		61	1	57
88548		30	1 133		41	1	161
88556		60	1 41		35	1	149
		60	1 33		30	1	169
		43	1 39		1	1	173
88564		15	1 25	88874	19	1	19
88573		11	1 95		23	1	19
88577		2	1 49	88902	1	1	111
88612		24	1 185		11	1	119
		21	1 189		16	1	85
		4	1 177		6	1	93
		10	1 17		1	1	103
		9	1 163		8	1	9
		4	1 167		27	1	51
		17	1 119		29	1	51
88616		8	1 125		30	1	51
		55	1 141		32	1	53
88617		3	1 49		59	1	57
88627		31	1 147		5	1	65
		43	1 161		6	1	65
		41	1 171		53	1	81
		43	1 179		16	1	77
		9	1 183		20	1	77
88639		29	1 51		12	1	153
88681		3	1 199		4	1	131
88682		30	1 51		16	1	133
		24	1 51		19	1	133
		1	1 123		24	1	133
88715		28	1 105		45	1	135
88722		11	1 199		9	1	173
88727		15	1 49		23	1	165
88775		5	1 11		5	1	195
		7	1 119	88908	16	1	125
88780		10	1 151		1	1	127
88793		11	1 189	88931	12	1	189
		19	1 189	88945	49	1	81
88832		3	1 207	88946	6	1	69
		52	1 55	88976	14	1	85
		27	1 177		66	1	143
		27	1 169		70	1	143
		9	1 145	88992	16	1	147
88833		9	1 157		15	1	159
88844		76	1 143		1	1	163

MODEL 855 ROUND BALER

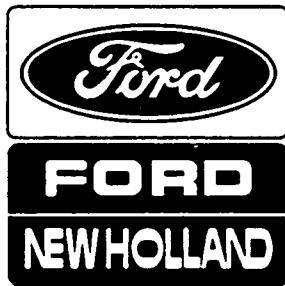
NUMERICAL INDEX

PART NUMBER	FIG.	SEC	PAGE	PART NUMBER	FIG.	SEC	PAGE
88992	*	4	1 163	9611856	46	1	107
		2	1 177	9611859	22	1	175
		46	1 181	9611863	12	1	173
		2	1 167	9611865	16	1	105
		28	1 169	9611866	11	1	103
900361		19	1 159	9611870	26	1	175
900362		8	1 157	9611871	4	1	173
900364		3	1 209	9611872	1	1	173
		3	1 211	9611875	13	1	173
900613		9	1 209	9611878	7	1	173
9601028		16	1 17	9611880	33	1	107
9601092		34	1 37	9611881	14	1	173
		45	1 39	9611882	26	1	105
9601094		35	1 37	9611884	25	1	105
9601110		21	1 105	9611885	19	1	105
9601112		32	1 107	9612024	1	1	103
9601122		49	1 109	9612042	38	1	107
9601133		37	1 149	9612045	8	1	103
		45	1 161	9612046	9	1	103
		38	1 179	9612050	35	1	107
9601212		47	1 107	9612057	5	1	173
9601368		65	1 83	9612060	40	1	107
9601465		35	1 79	9612065	41	1	107
9602081		5	1 183	9612069	16	1	175
9602122		7	1 183	9612079	7	1	203
		3	1 183	9612080	5	1	203
		1	1 211	9612328	17	1	105
		1	1 209	9612329	14	1	103
9602128		7	1 209	9612349	22	1	105
		7	1 211	9612727	8	1	203
		3	1 183	9614045	28	1	47
		7	1 183	9614946	26	1	51
9604234		11	1 93	9614948		1	49
9604254		32	1 99	9614982	75	1	59
9607593		18	1 175	9615143	48	1	107
9607595		25	1 185	9615196	15	1	185
9609179		21	1 175	9615378	1	1	25
9609191		2	1 211	9615414	21	1	87
		2	1 209	9615418	38	1	155
9609631		3	1 173	9615480	5	1	207
9609988			1 203	9615777	39	1	107
9610520		26	1 87	9615827	24	1	185
9610522		29	1 89	9615829	26	1	185
9610529		12	1 187	9616116	39	1	155
9610530			1 187	9616247	17	1	185
		14	1 185			1	211
9610612		27	1 99		13	1	187
9610786		61	1 57	9616272	16	1	205
		27	1 51	9616365	14	1	205
9611195		2	1 187	9616477	12	1	95
9611216		5	1 187	9616654	18	1	185
9611439		1	1 187	9616799	1	1	207
9611464		1	1 203	9616848	2	1	207
9611465		4	1 203	9616976	52	1	109
9611467		10	1 205	9617033	22	1	185
9611830		10	1 103	9617449	4	1	207

MODEL 855 ROUND BALER

NUMERICAL INDEX

PART NUMBER	FIG.	SEC	PAGE	PART NUMBER	FIG.	SEC	PAGE
9617461	1	1	35	9806432	* 21	1	185
9617624	4	1	35	9806726	78	1	59
	4	1	27	9807906	19	1	27
9617676	71	1	33		19	1	37
	71	1	43	9809671	16	1	11
9617844	45	1	107		16	1	13
9617858	24	1	189	9809884	29	1	105
9617868	31	1	19	9820374	15	1	93
9617873	8	1	127	9826683	18	1	165
9618075	22	1	113	9827956	19	1	133
9618920	29	1	147		24	1	133
	32	1	161		48	1	41
	47	1	171		74	1	43
	43	1	179		27	1	51
9618968	78	1	59		6	1	65
	32	1	53		6	1	75
9619682	5	1	209		18	1	77
	5	1	211	9827995			183
9620275	7	1	117	9827997			199
9620420	7	1	131	9828027	27	1	185
9620421	9	1	131	9828519	20	1	25
9620422	50	1	135	9828520	21	1	25
	40	1	155	9828834	17	1	23
9621614	1	1	25	9842514	3	1	183
9621622	1	1	145		21	1	185
9622135	45	1	39	9843434	4	1	183
9622758	3	1	183	9843435	35	1	149
	17	1	185		41	1	161
	13	1	187		29	1	169
	4	1	209	9847280	9	1	187
	4	1	211	9847286	7	1	187
9800957	69	1	57	9849365	22	1	51
9801065	32	1	19				
	2	1	111				
9801066	7	1	103				
9801067	16	1	25				
9801101	9	1	145				
	9	1	157				
	26	1	177				
	26	1	169				
9801244	3	1	173				
9801592	1	1	199				
9801600	5	1	199				
9801601	6	1	199				
9801635	4	1	199				
9801636	4	1	163				
	2	1	167				
	2	1	177				
	14	1	157				
	15	1	145				
9801922	7	1	9				
9802726	8	1	199				
9802728	12	1	199				
9802729	2	1	199				
9802730	3	1	199				
9806432	31	1	175				



Replaces all Previous Issues